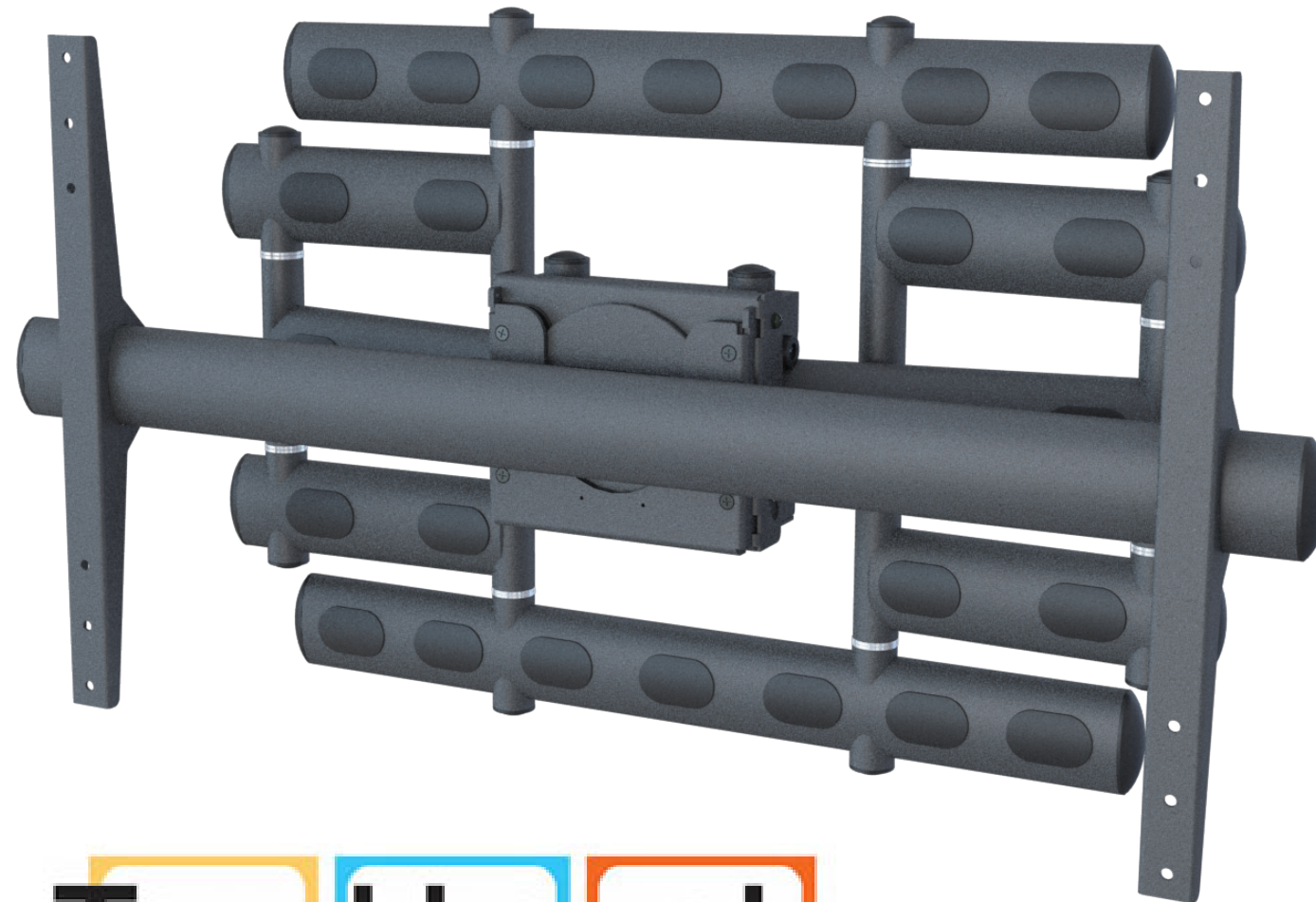




Installation Guide

Installationsanleitung, Guía de Instalación, Guida de Installazione, Guide d'Installation, Installatie gids



Touchboards

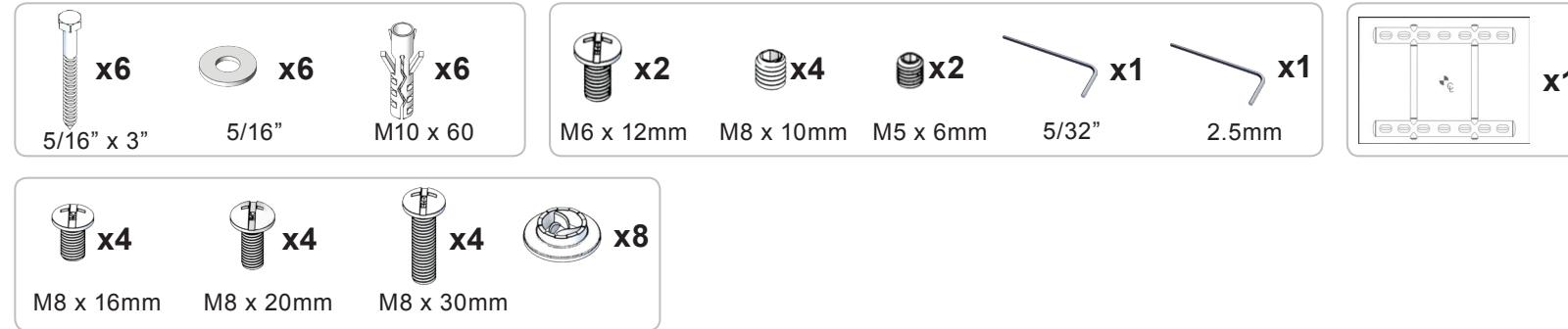
205 Westwood Ave, Long Branch, NJ 07740
Phone: 866-94 BOARDS (26273) / (732)-222-1511
Fax: (732)-222-7088 | E-mail: sales@touchboards.com

AM500

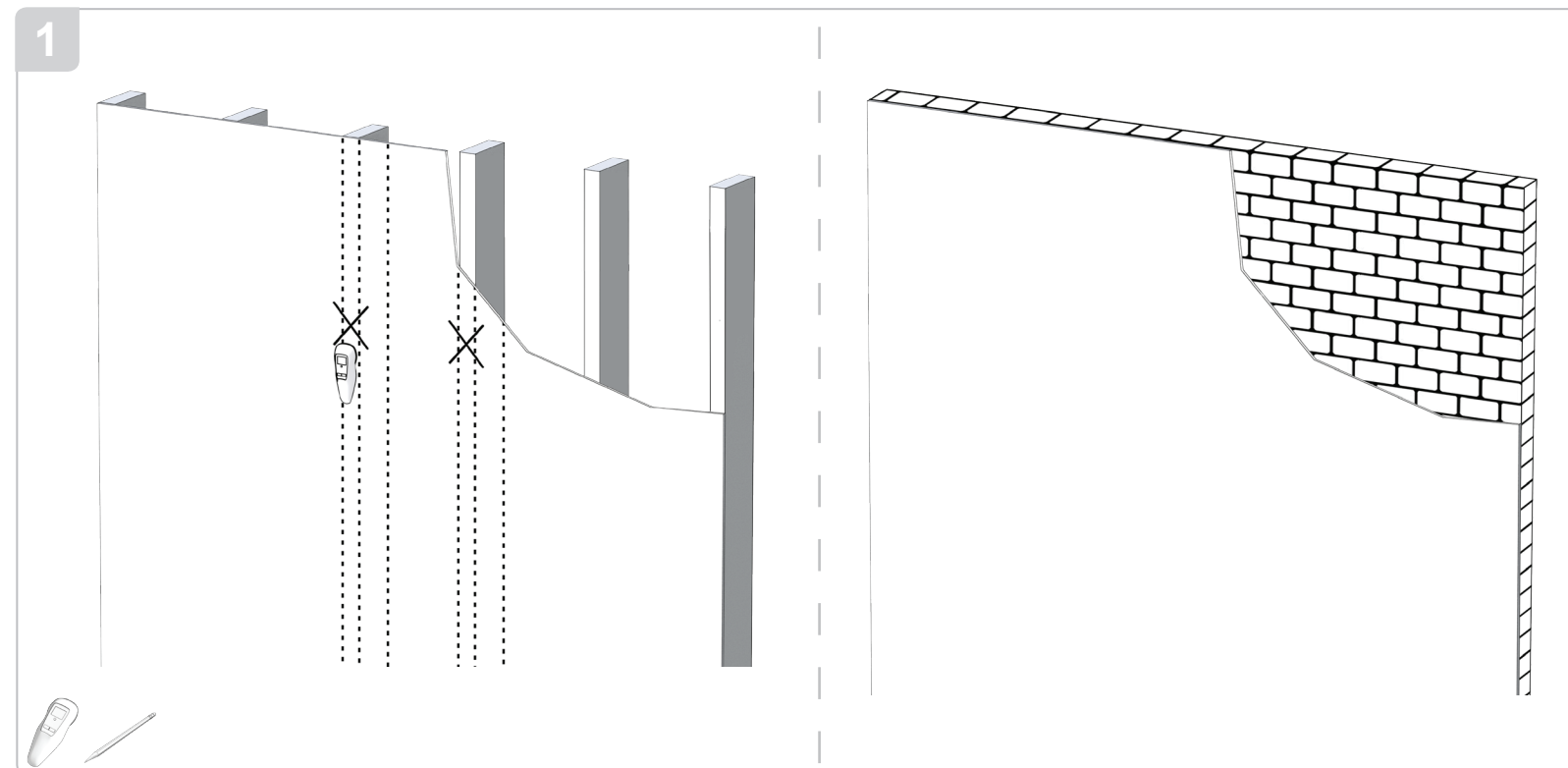
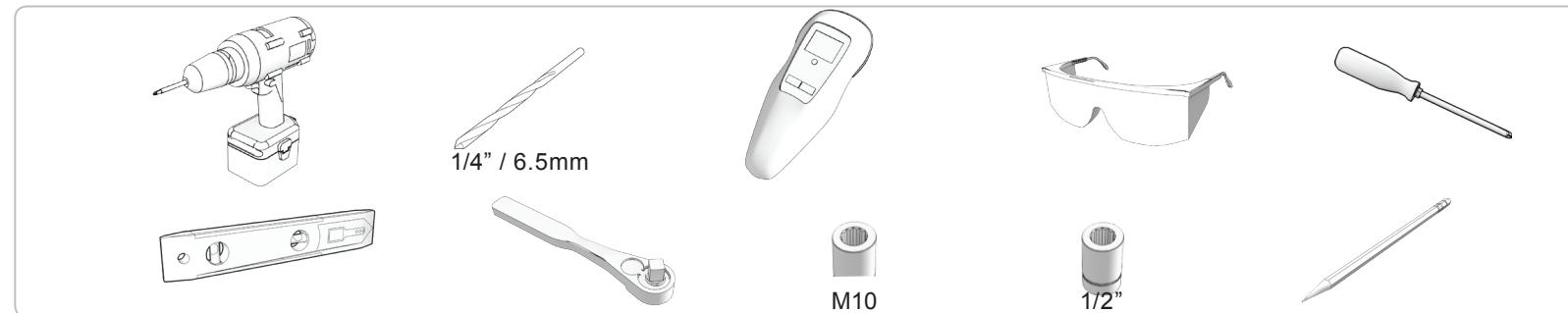
Installation Guide

Installationsanleitung, Guía de Instalacion, Guida de Installazione, Guide d'Installation, Installatie gids

Included components



Required for installation



Note: It is extremely important that this installation be carried out by well qualified installation personal and the mounting surface capable of supported the weight of the display mount together through out the articulating range of the AM-500 series mount.

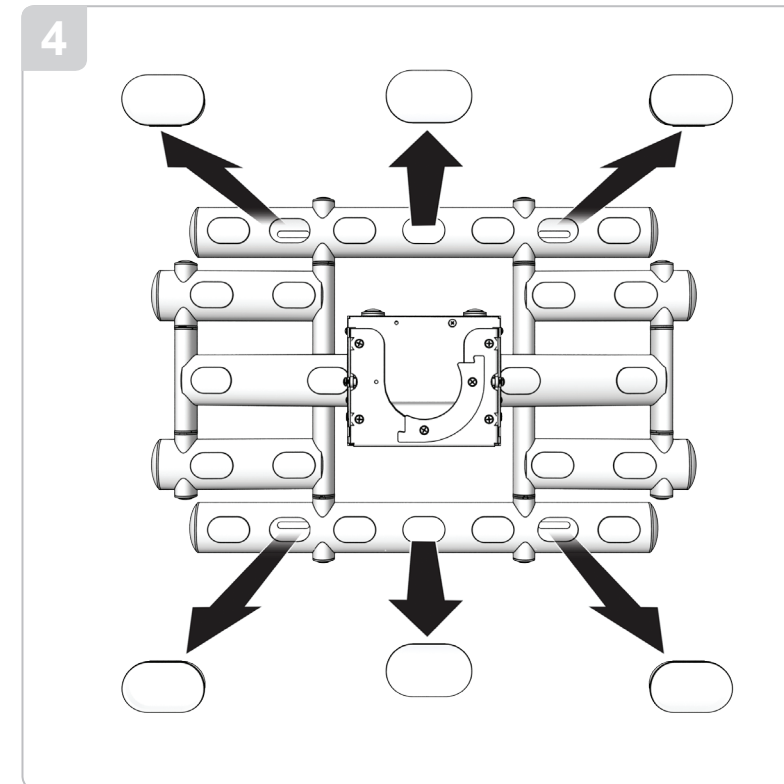
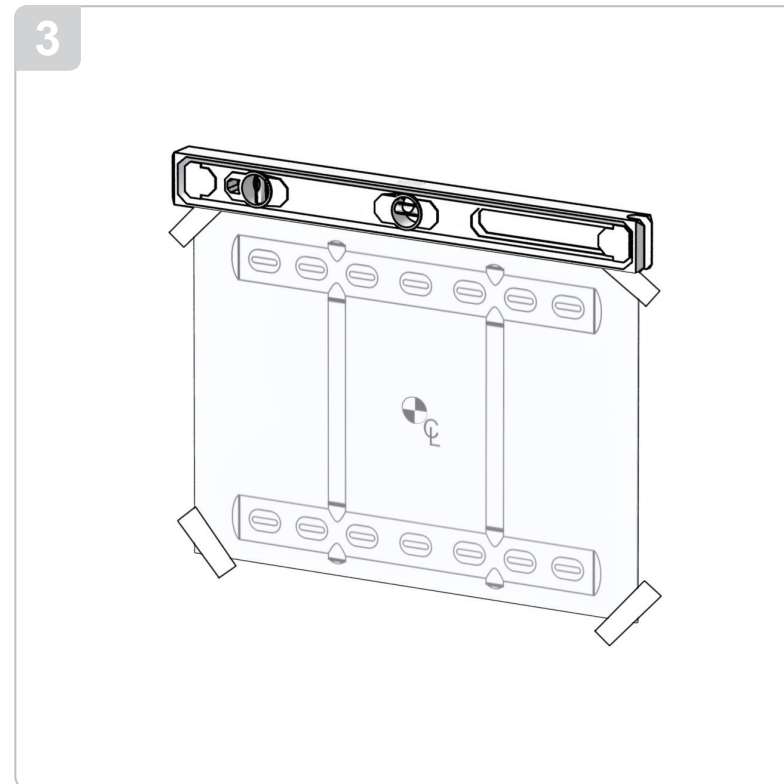
Warranty: <http://www.mounts.com/warranty>
Garantie, Garantía, Garanzia, Garantie, Waarborg



AM500

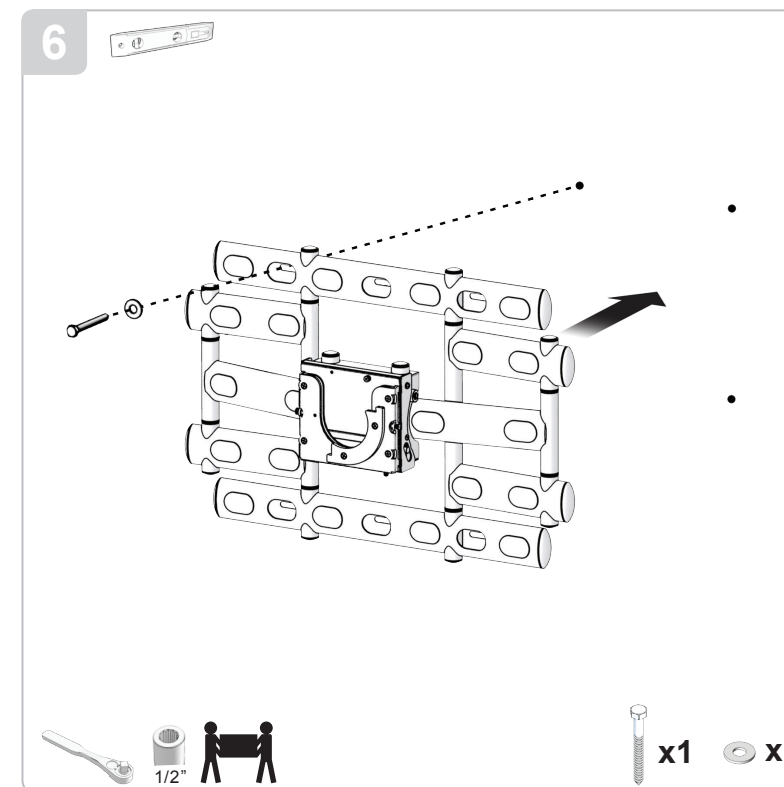
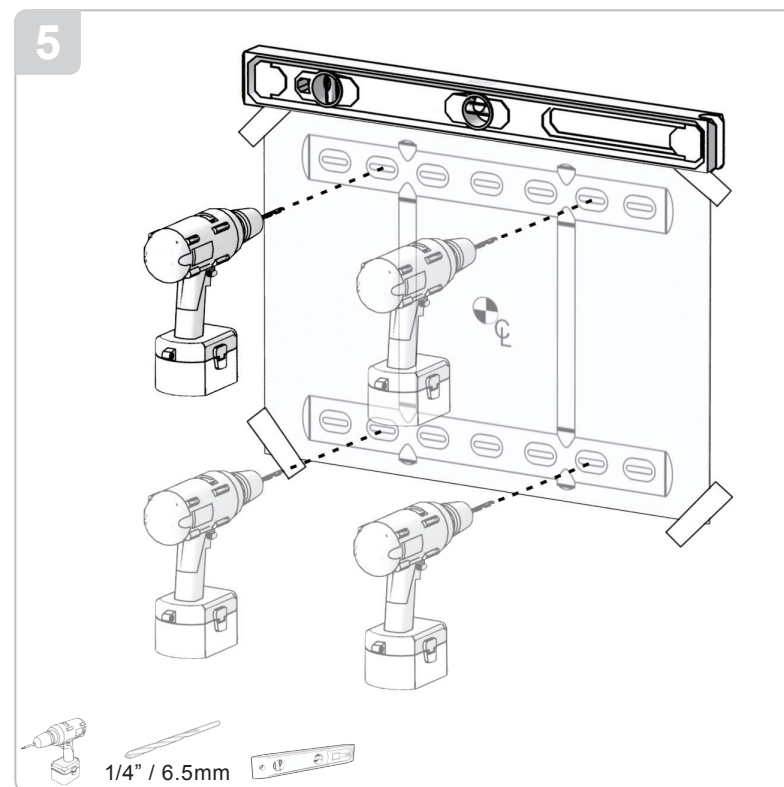
Installation Guide

Installationsanleitung, Guía de Instalación, Guida de Installazione, Guide d'Installation, Installatie gids



Take the mounting template supplied insure the template is centered and level at the desired height on the mounting surface. Mark the mounting hole (six recommended) three on top and three on bottom.

Note: drill mounting pilot holes to a proper depth to insure the lag or wedge anchor bolts are fully engaged into the hole.



With minimum two people place the AM-500 wall plate assembly and secure to the wall using the top center hole of the wall plate.

With a spirit level place on top of the wall plate level the mounts than secure the remaining bolts through the wall plate to the wall.

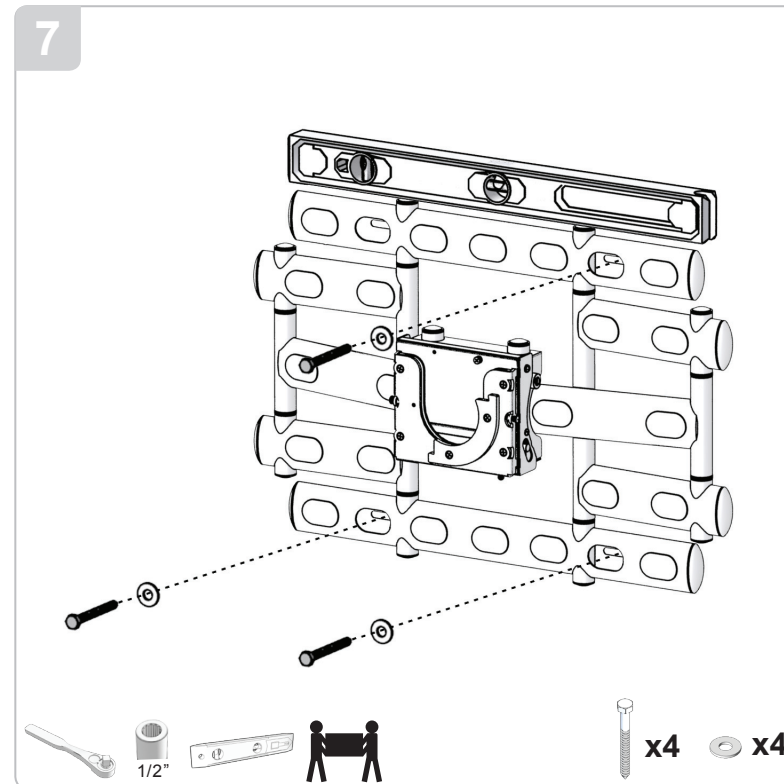
Warranty: <http://www.mounts.com/warranty>
Garantie, Garantía, Garanzia, Garantie, Waarborg



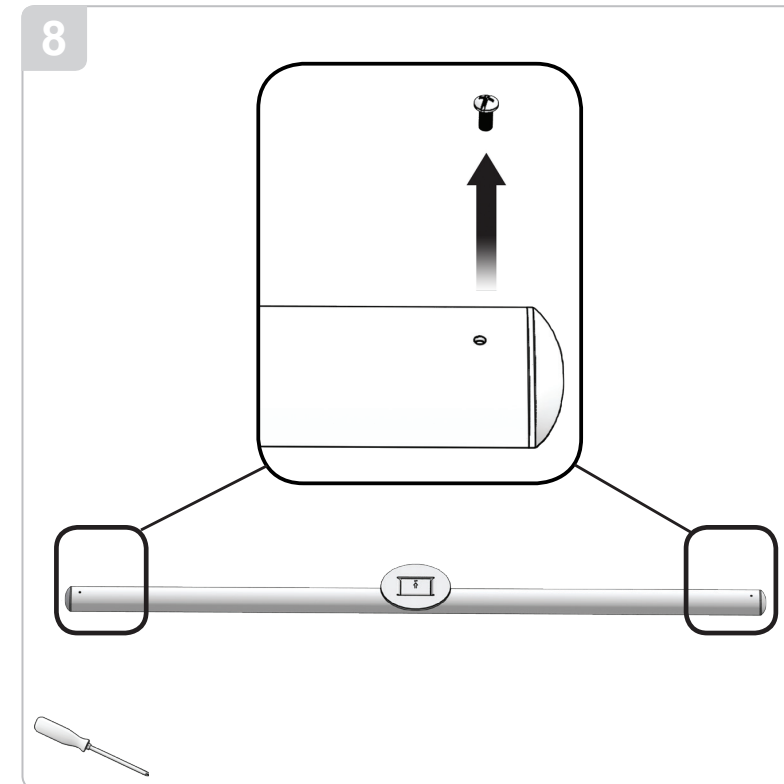
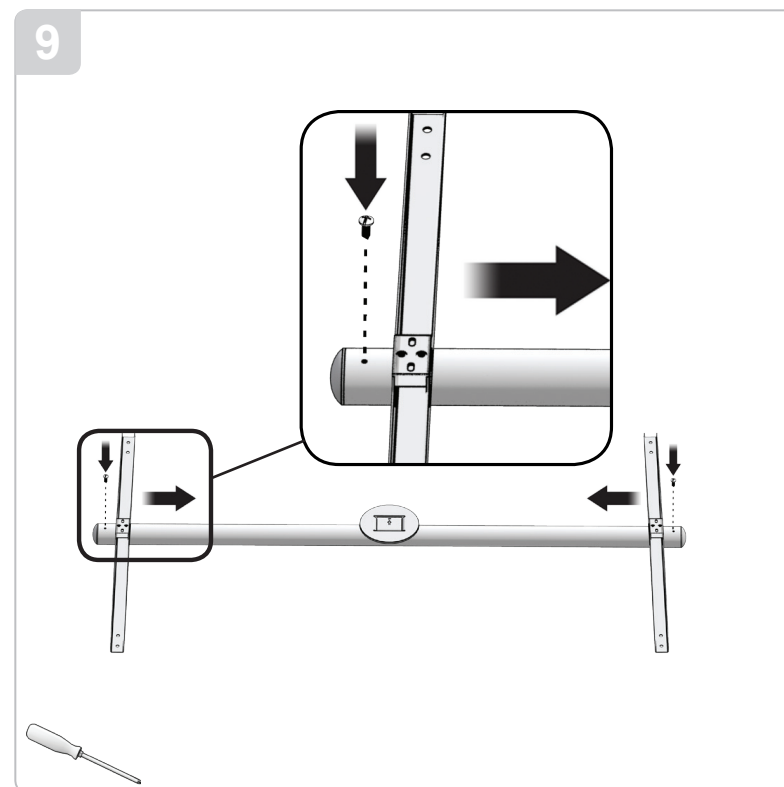
AM500

Installation Guide

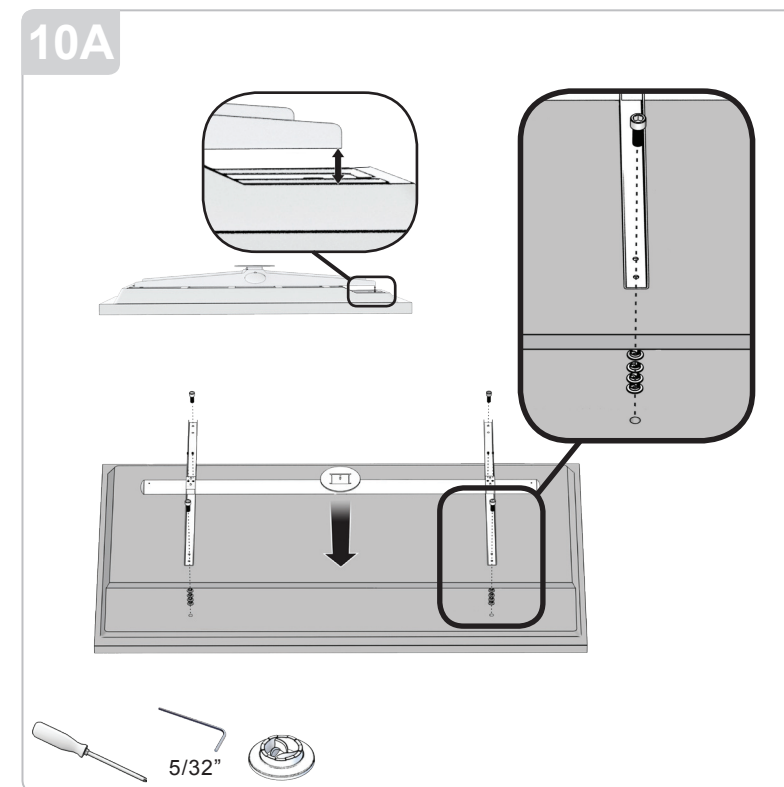
Installationsanleitung, Guía de Instalación, Guida de Installazione, Guide d'Installation, Installatie gids



Remove the two security screws from the right and left side of the mounting bracket crossbar and slide the two mounting brackets inside the left and right side security screw hole and reinstall the two security screws.



Remove the two security screws from the right and left side of the mounting bracket crossbar and slide the two mounting brackets inside the left and right side security screw hole and reinstall the two security screws.



Warranty: <http://www.mounts.com/warranty>
Garantie, Garantía, Garanzia, Garantie, Waarborg

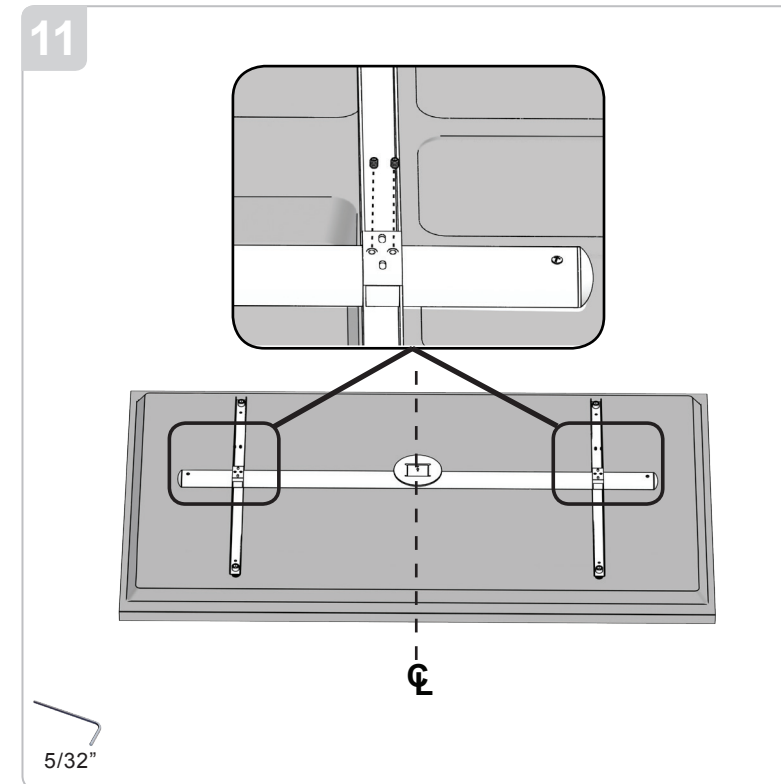
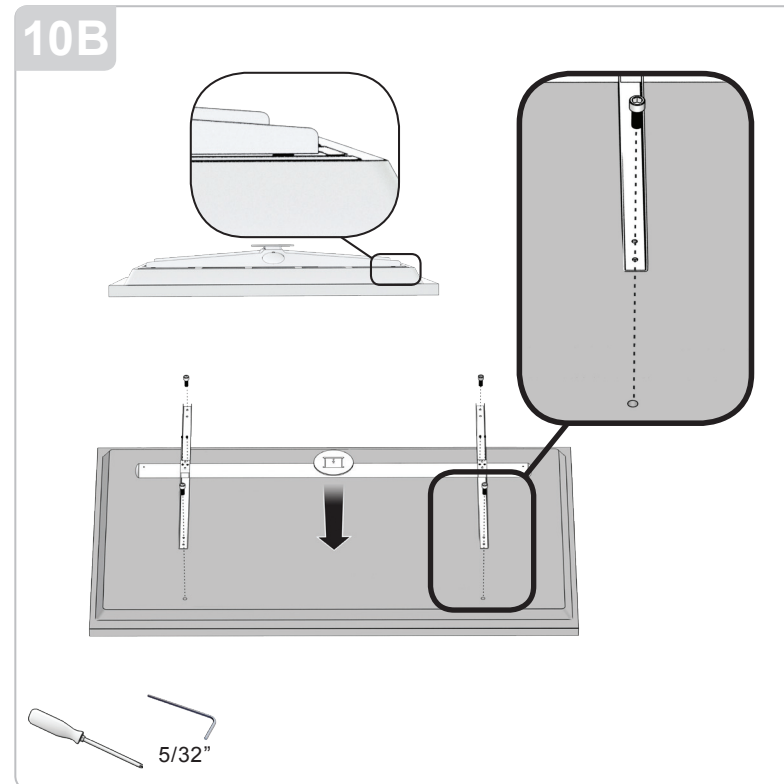


AM500

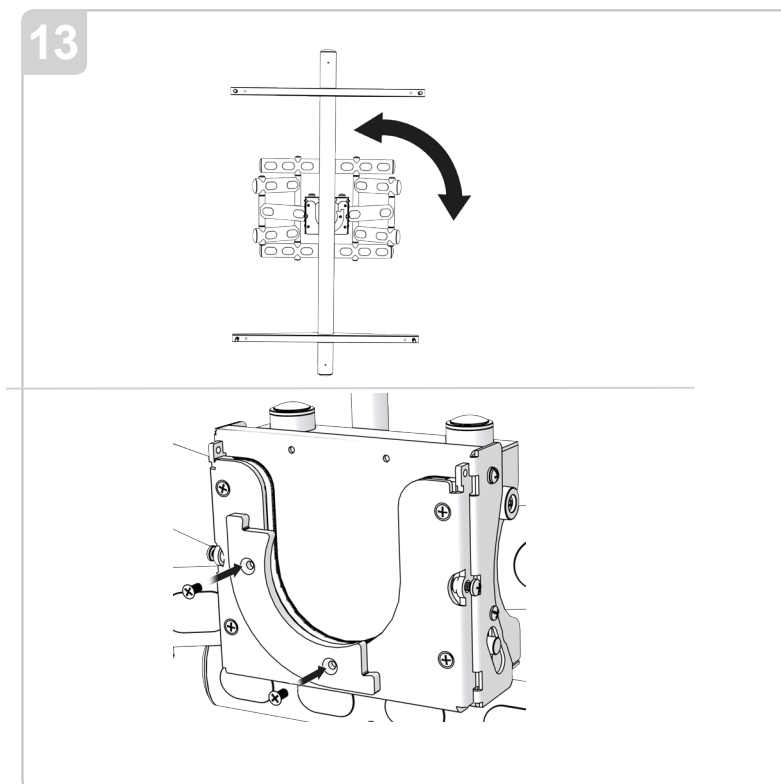
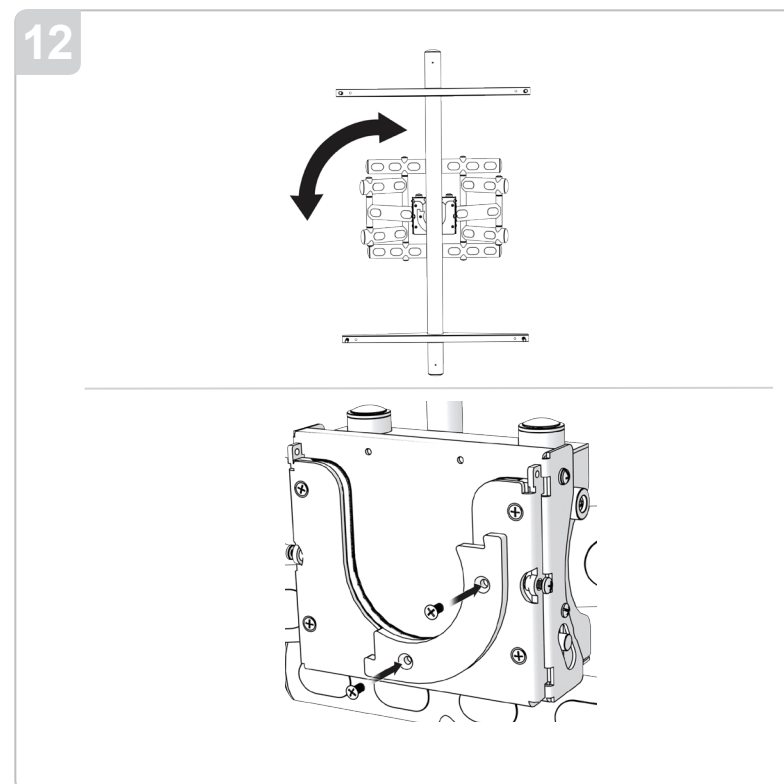
Installation Guide

Installationsanleitung, Guía de Instalación, Guida de Installazione, Guide d'Installation, Installatie gids

Invert the flat panel display and place it on a smooth flat surface so the back of the display panel is facing up. Align the two mounting bracket to the four mounting points on the rear of the display and secure them bracket to the display with the proper "pitch" supplied hardware. Check the owners manual to determine correct pitch hardware recommended.



Once the mounting brackets are secured to the rear of the display align the round portion of the cross bar so it is on dead center of the display from left to right side. Secure the cross bar to the bracket using the four Allen head screws supplied



Warranty: <http://www.mounts.com/warranty>
Garantie, Garantía, Garanzia, Garantie, Waarborg

 **PREMIER MOUNTS**
CREATING POSITIVE CUSTOMER EXPERIENCES

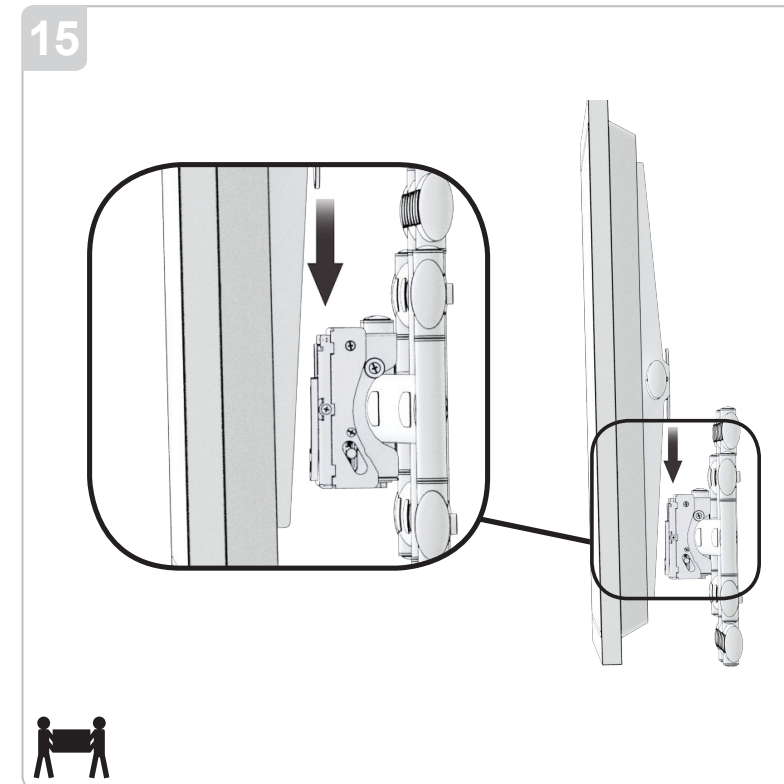
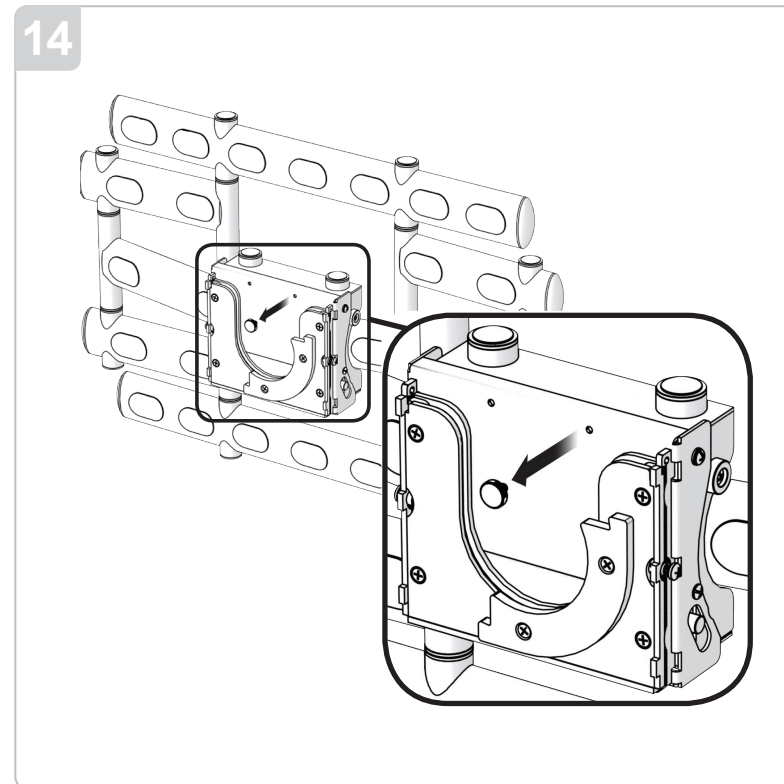


AM500

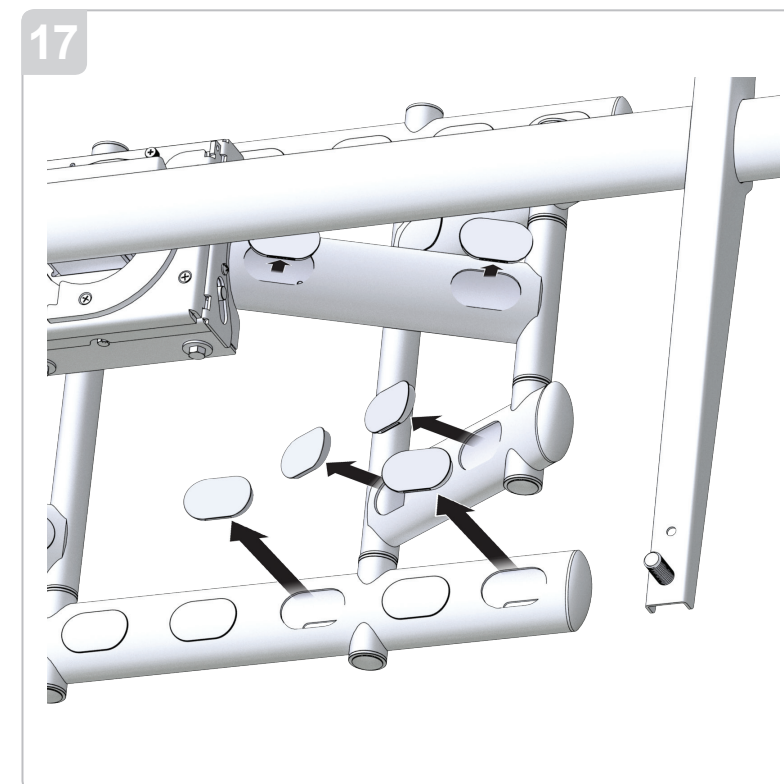
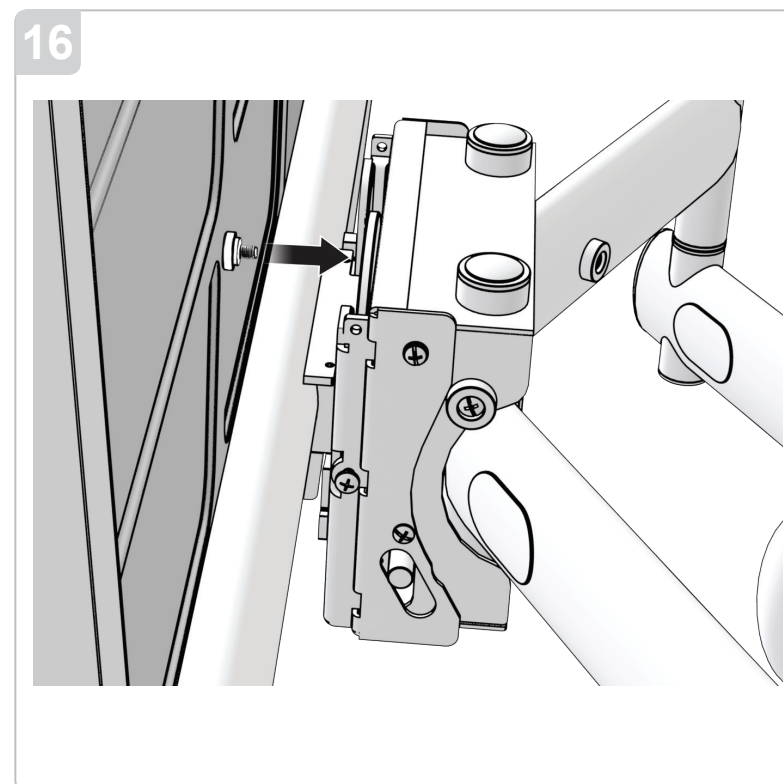
Installation Guide

Installationsanleitung, Guía de Instalación, Guida de Installazione, Guide d'Installation, Installatie gids

Remove the 6mm knurl knob safety screw and set it aside.



Note: appropriate number of personal and possible installation lift aids lift and insert the round portion of the crossbar with display attached and safely insert the round portion of the cross bar into the open round receiver portion on the wall mount. With the cross bar fully seating into the receiver reinstall the six (6mm) safety knurl knob



Add. Once all mounting points and level of the display have been confirmed the plastic covers may be installed to provide a clean look to the installed display and mount.

Warranty: <http://www.mounts.com/warranty>
Garantie, Garantía, Garanzia, Garantie, Waarborg



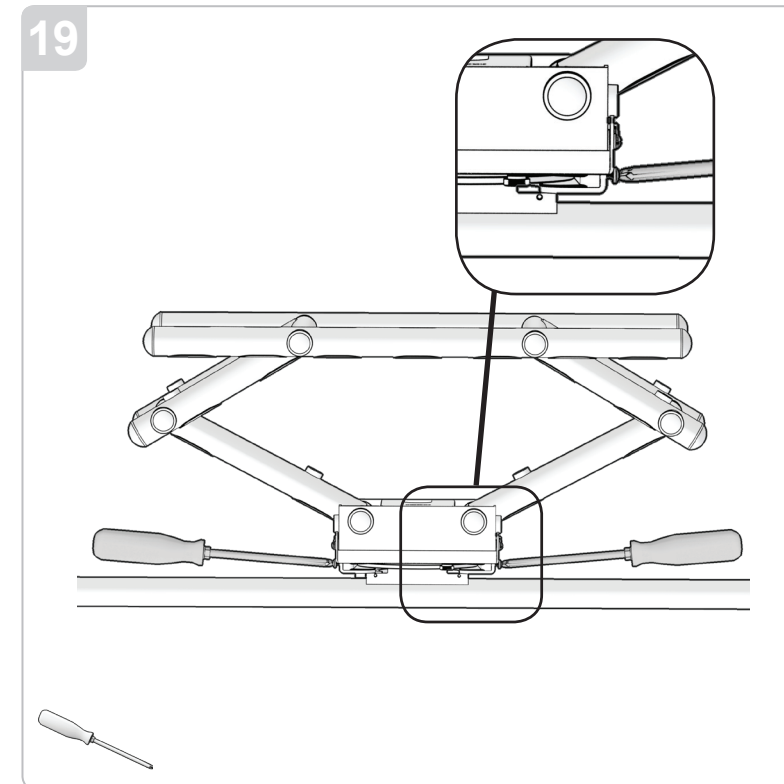
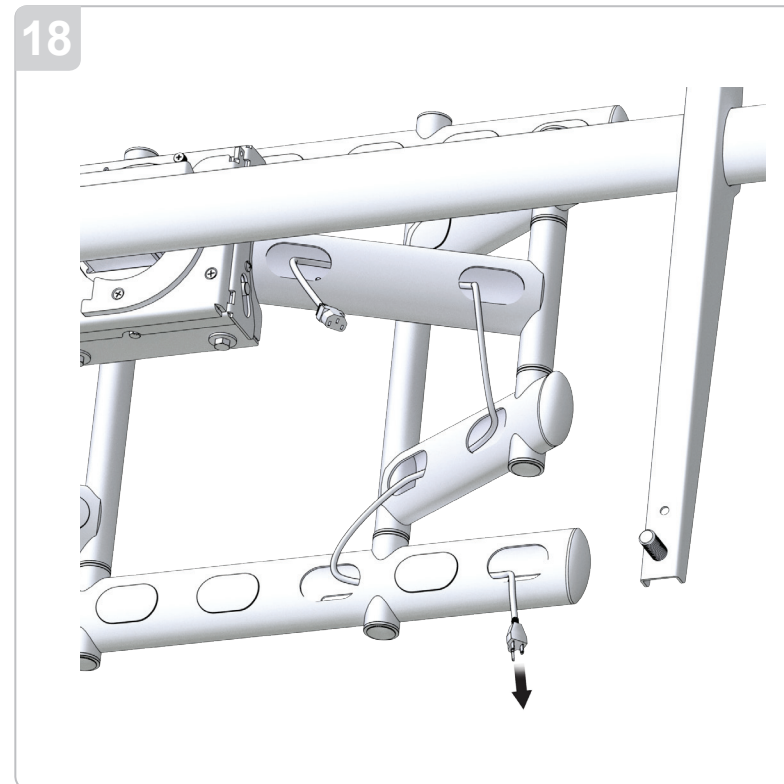
AM500

Installation Guide

Installationsanleitung, Guía de Instalación, Guida de Installazione, Guide d'Installation, Installatie gids

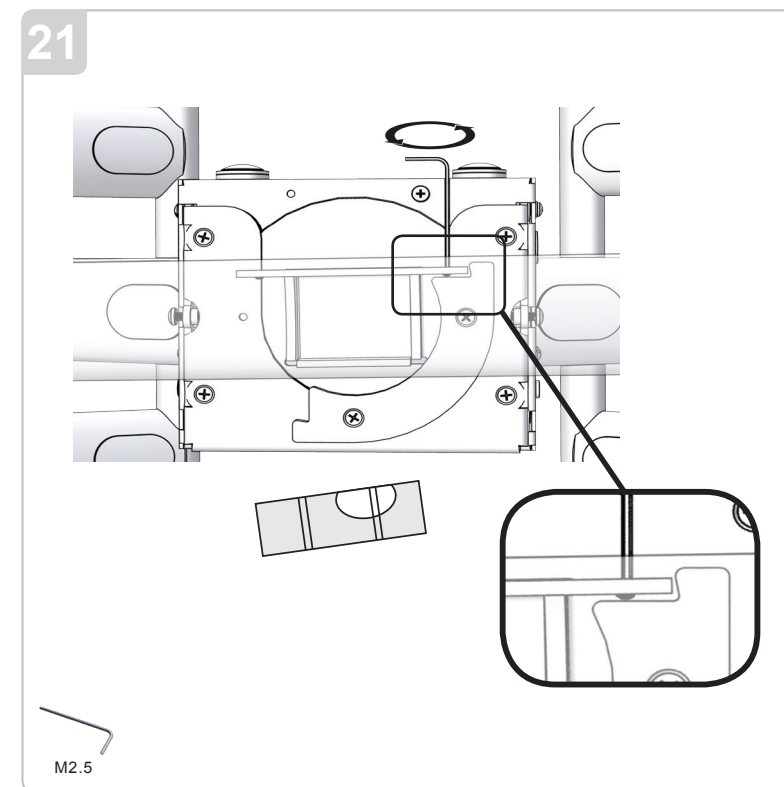
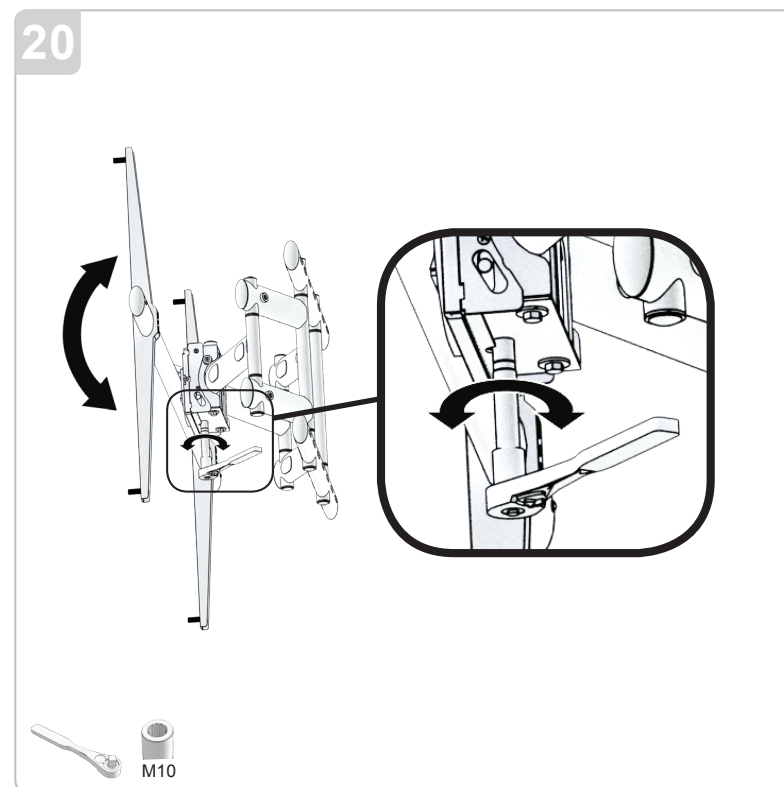
Power and signal cables may be conveniently run through the arms of the mount between the display and the power and signal source to assist in the clean look of the cable installed.

Note: Once cables have been installed carefully check the movement of the mount and cables together to insure there is no "pinching of the cables" when the mount is articulated.



The two side mounted screws in the receiver head of the mount can be adjusted to add or subtract tension in the rotation of the display in the mount.

The AM-500 has a unique "load offset adjustment" feature that allow for the heavier weight displays to be tilt corrected past base center back to level from top to bottom. With personal lifting gently "out" on the bottom of the display a 9/16" (14mm) socket may be used to increase or decrease the tilt feature of the mount.



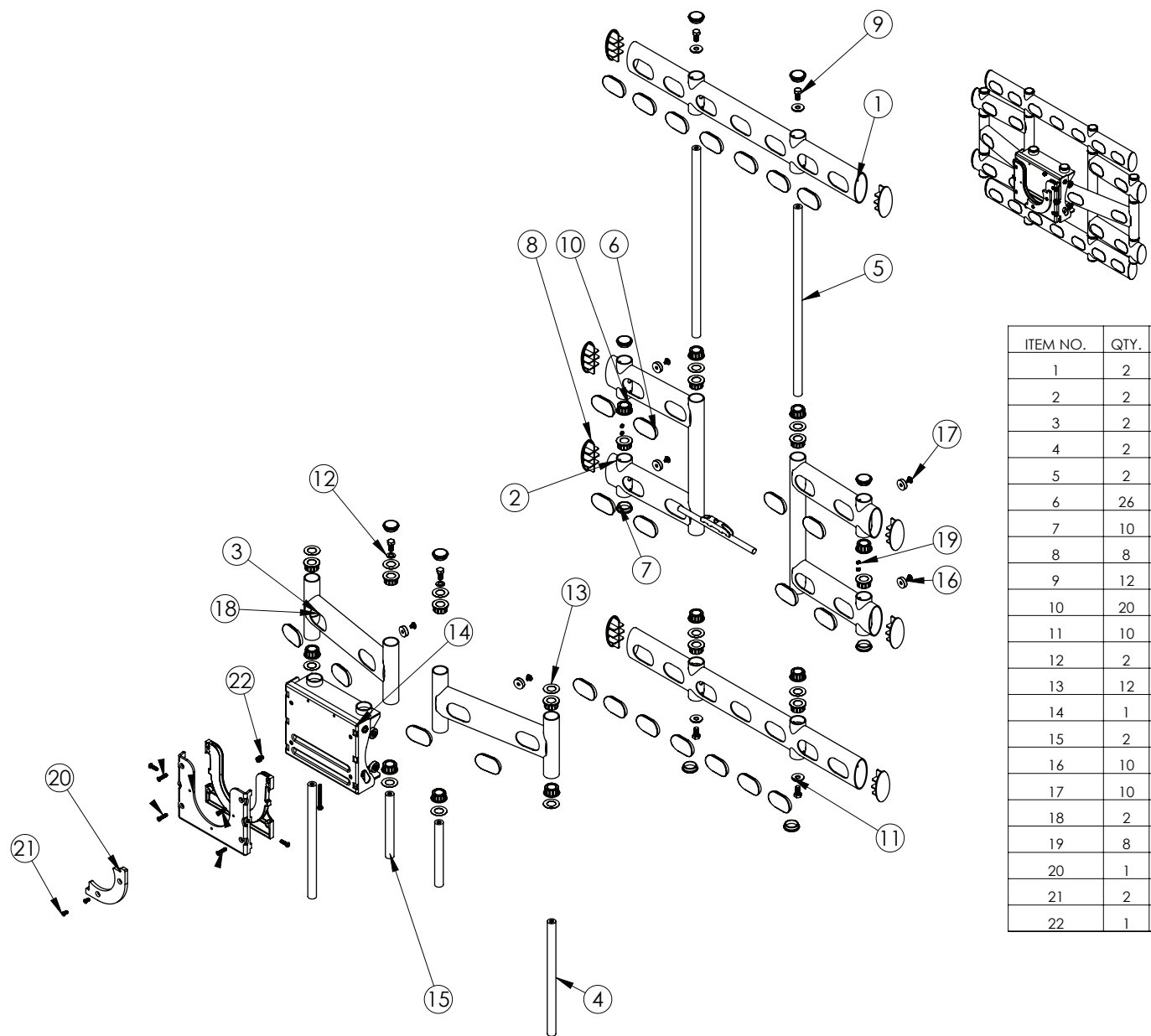
Warranty: <http://www.mounts.com/warranty>
Garantie, Garantía, Garanzia, Garantie, Waarborg



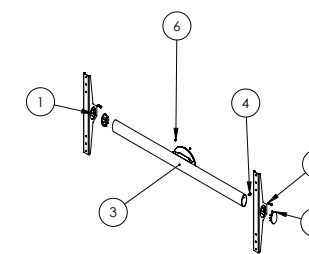
AM500

Installation Guide

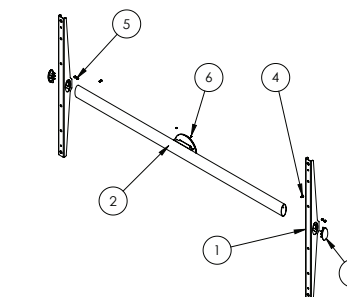
Installationsanleitung, Guia de Instalacion, Guida de Installazione, Guide d'Installation, Installatie gids



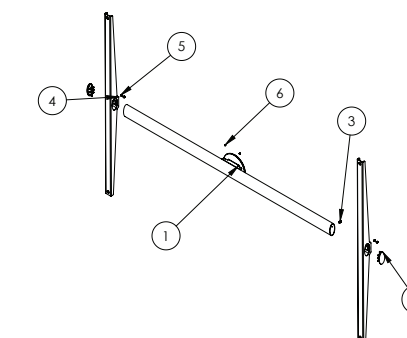
ITEM NO.	QTY.	PART NO.	REV	DESCRIPTION
1	2	3106-000-032-XX	00	WALL BRACKET TUBE WELDED ASSEMBLY (ELLIPTICAL)
2	2	3106-000-031-XX	01	DOUBLE ARM TUBE WELDED ASSEMBLY
3	2	3106-000-033-XX	00	SHORT ARM WELDED ASSEMBLY (ELLIPTICAL)
4	2	2482-21-AM3	01	SHAFT .75 X 12" LONG
5	2	2482-22-AM3	01	SHAFT .75 X 20" LONG
6	26	2482-23-AM3	00	COVER,OBLONG HOLE COVER (PLASTIC)
7	10	0700-205-226-XX	00	TUBE/PIPE END CAP COVER 1.181 X 1.375 X .616
8	8	6095-PSD-E-E	00	PLASTIC CAP (ELLIPTICAL TUBE 3.149 X 1.574)
9	12	0477-087-147-6X		HEX FULLY THREADED 3/8"-16 x 3/4"
10	20	2482-36-AM3	01	BUSHING FLANGE DIE CAST .750 ID X 1.180 OD X 1.395 FLANGE .
11	10	204X-57A-L00-69		3/8" WASHER NON-STD (.405 ID) X (1.062 OD) X (.098 THK)
12	2	204X-578-502-10		3/8" WASHER NON-STD (.406 ID) X (.748 OD) X (.066 THK)
13	12	204X-86B-N00-28		WASHER DELRIN (.765 ID) X (1.400 OD) X (.020 THK)
14	1	3106-000-022-XX	03	ROTATIONAL MOUNT ASSEMBLY
15	2	3106-000-013-XX	00	SHAFT .75 X 6.67" LONG
16	10	2270-45A-E01-45	00	1" X .3 VINYL FEET
17	10	0548-061-077-6X		SCREW TRUSS HEAD COMBO PHILLIPS (M6X1.0X8)
18	2	3106-000-003-XX	00	INTERNAL ROTATION TUBE
19	8	1658-061-077-6X		SET SCREW CUP POINT (M6 X 1.0 X 8)
20	1	3106-000-024-XX	00	ROTATIONAL STOP
21	2	0422-061-104-6X		SCREW FLAT 90 DEGREES PHILLIPS (M6 x 1.0 x 12)
22	1	0562-061-077-6X	00	SCREW KNURL KNOB PHILLIPS (M6X1.0 X 8)



ITEM NO.	PART NUMBER	DESCRIPTION	QTY.
1	3106-000-036-XX	MOUNTING BRACKET WELD ASSEMBLY (ELLIPTICAL)	2
2	6095-PSD-E-E	PLASTIC CAP (ELLIPTICAL TUBE 3.149 X 1.574)	2
3	3106-000-034-XX	SWIVEL TUBE ASSEMBLY	1
4	0474-061-104-6X	SCREW PAN PHILLIPS COMB (M6X1.0 X 12)	2
5	1658-079-091-6X	SET SCREW CUP POINT (M6 X 1.25 X 10)	4
6	1658-052-041-6X	SET SCREW CUP POINT (M5 X 0.8 X 6)	2



ITEM NO.	PART NUMBER	DESCRIPTION	QTY.
1	3106-000-037-XX	MOUNTING BRACKET ASSEMBLY LARGE (ELLIPTICAL)	2
2	3106-000-035-XX	SWIVEL TUBE ASSEMBLY (LARGE)	1
3	6095-PSD-E-E	PLASTIC CAP (ELLIPTICAL TUBE 3.149 X 1.574)	2
4	0474-061-104-6X	SCREW PAN PHILLIPS COMB (M6X1.0 X 12)	2
5	1658-079-091-6X	SET SCREW CUP POINT (M6 X 1.25 X 10)	4
6	1658-052-041-6X	SET SCREW CUP POINT (M5 X 0.8 X 6)	2



ITEM NO.	PART NUMBER	DESCRIPTION	QTY.
1	3106-000-035-XX	SWIVEL TUBE ASSEMBLY (LARGE)	1
2	6095-PSD-E-E	PLASTIC CAP (ELLIPTICAL TUBE 3.149 X 1.574)	2
3	0474-061-104-6X	SCREW PAN PHILLIPS COMB (M6X1.0 X 12)	2

Warranty: <http://www.mounts.com/warranty>
Garantie, Garantia, Garanzia, Garantie, Waarborg



AM500

Installation Guide

Installationsanleitung, Guía de Instalación, Guida de Installazione, Guide d'Installation, Installatie gids

PREMIER MOUNTS LIMITED LIFETIME WARRANTY



205 Westwood Ave, Long Branch, NJ 07740
Phone: 866-94 BOARDS (26273) / (732)-222-1511
Fax: (732)-222-7088 | E-mail: sales@touchboards.com

What and Who is Covered by this Limited Lifetime Warranty

Premier Mounts warrants all mounting products to be free from defects in material and workmanship for the lifetime of the original installation of the product.

What Premier Mounts Will Do

At the sole option of Premier Mounts, Premier Mounts will repair or replace any product or product part that is defective. If Premier Mounts chooses to replace a defective product or part, a replacement product or part will be shipped to you at no charge, but you must pay any related labor costs.

What is Not Covered: Limitations

Premier Mounts disclaims any liability for damage to mounts, adapters, displays, projectors, other property, or personal injury resulting, in whole or in part, from improper installation, modification, use or misuse of its products.

NOTWITHSTANDING ANYTHING TO THE CONTRARY IN THIS WARRANTY, THIS WARRANTY IS LIMITED TO FIVE YEARS FROM THE DATE OF PURCHASE IN THE EVENT THAT THE WARRANTED PRODUCT IS COMMERCIALY RENTED OUT.

Electrical products and components, such as amplifiers, speakers, motors, switches remote controls and related electrical items, are backed by a 3-year warranty.

Premier Mounts disclaims all other warranties, express or implied, including warranties of merchantability and fitness for a particular purpose. Premier Mounts is not responsible for incidental or consequential damages, including but not limited to, inability to use its products or labor costs for removing and replacing defective products or parts. Some states do not allow the exclusion or limitation of incidental or consequential damages, so the above limitation or exclusion may not apply to you.

What Customers Must Do for Warranty Service

If you discover a problem that you think may be covered by the warranty, you must report it in writing to the address below within thirty (30) days. Proof of purchase (an original sales receipt) from the original consumer purchaser must accompany all warranty claims. Warranty claims must also include a description of the problem, the purchaser's name, address, and telephone number. General inquiries can be addressed to Premier Mounts Customer Service at 1-800-368-9700. Warranty claims will not be accepted over the phone or by fax.

Premier Mounts
Attn: Warranty Claim
1321 S. State College Blvd.
Fullerton, CA 92831 USA

How State Law Applies

This warranty gives you specific legal rights, and you may also have other rights which vary from state to state.

Disclaimer

Premier Mounts intends to make this manual accurate and complete. However, Premier Mounts makes no claim that the information contained herein covers all details, conditions or variations, nor does it provide for every possible contingency in connection with the installation or use of this product. The information contained in this document is subject to change without notice or obligation of any kind. Premier Mounts makes no representation of warranty, expressed or implied, regarding the information contained herein. Premier Mounts assumes no responsibility for accuracy, completeness or sufficiency of the information contained in this document.

Warranty: <http://www.mounts.com/warranty>
Garantie, Garantía, Garanzia, Garantie, Waarborg

