

Touchboards

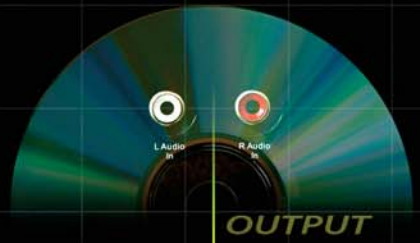
205 Westwood Ave, Long Branch, NJ 07740
Phone: 866-94 BOARDS (26273) / (732)-222-1511
Fax: (732)-222-7088 | E-mail: sales@touchboards.com

SELF-AMPLIFIED CEILING SPEAKERS



Model Number
Amp-IC5
REV C

LINE LEVEL
VOLUME CONTROL



AMP-IC5 AMP-IC6

- Fits onto the OWI IC5 and IC6 In-Ceiling Speakers
- Can Effectively Drive up to Three Additional IC5/IC6
- Up to 25 Watts of Class AB Power Right at the Speakers
- Lower Noise Feature
- Fast and Easy - Install in the Field
- 12 Volt AC Power Supply Included
- Protected from Shorts and Overheating
- Line Level Volume Control Available

NON-AMPLIFIED SPEAKERS





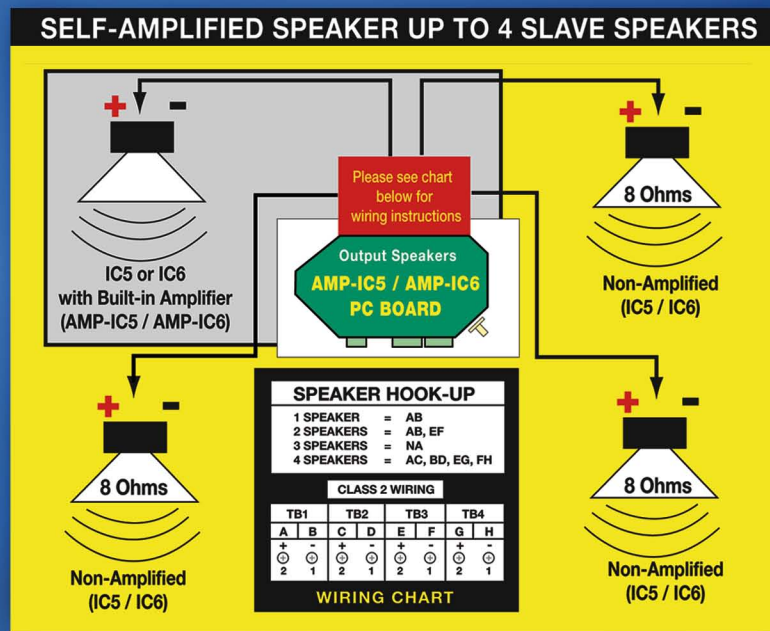
OWI Model AMP - IC5 | AMP - IC6

Equipped with many of the new and most popular installer features, the AMP-IC5/6 power module is made to expressly fit into the OWI Models IC5 or IC6 coaxial speaker providing a high fidelity module delivering up to 25 watts of Class AB power right at the speaker.

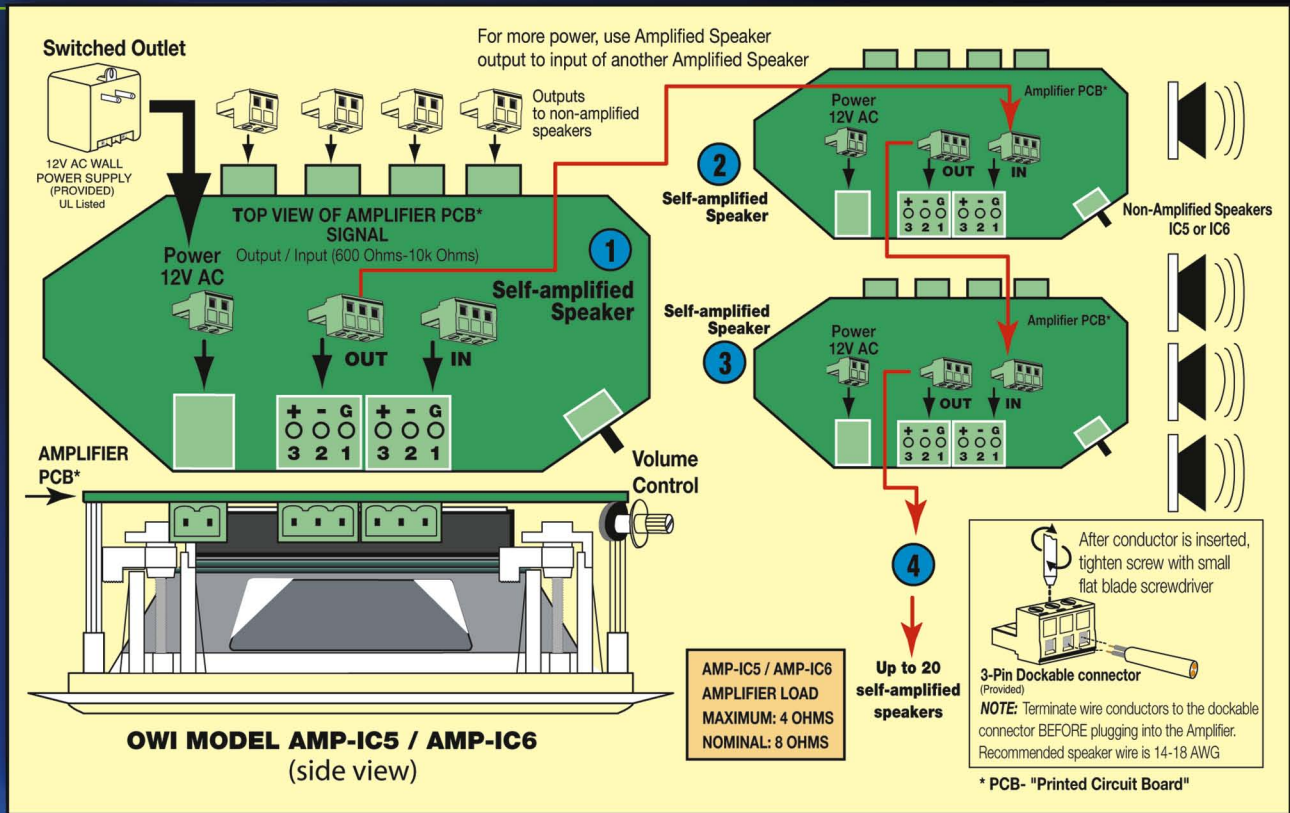
By being within inches of the speaker, the amplifier facilitates maximum damping control of the speaker due to low source impedance resulting in maximum high fidelity reproduction.

Tailor-designed and dedicated specifically to match the speaker, the amplifier effectively delivers optimum response. The power module has critical design features that facilitate fast and easy installation in the field.

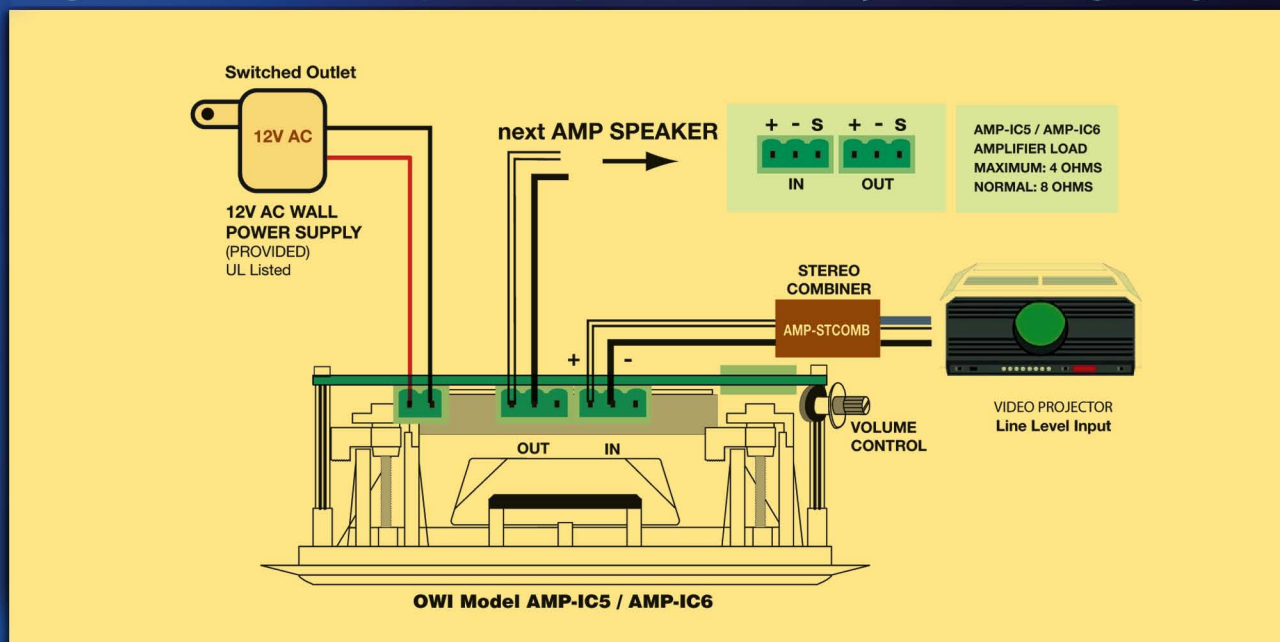
SELF-AMPLIFIED CEILING SPEAKERS



Single Source Self-amplified 4 Speakers Wiring Diagram



Single Source Self-amplified Speaker and Projector Wiring Diagram



Self-amplified CEILING SPEAKERS



GENERAL SPECIFICATIONS:

Model Number	AMP-IC5 / AMP-IC6
Frequency Response	50 Hz to 15kHz. HF is Optimized to Enhance Frequency Response of the Speaker.
Total Harmonic Distortion (THD)	<.1%
Signal to Noise Ratio (S/N)	>90dB
Input Configuration	Differential (Noise Reducing)
Min. Common Mode Rejection	40dB
Max. Power Output	25 Watts
At load Impedance	4 Ohms (2 speakers in Parallel or 4 Speakers in Series Parallel)
Min. Power Supply Voltage	8 Volts
Max. Supply Voltage	14 Volts
Max. Current Protected	Yes
Short Circuit Protected	Yes
One Wire to Ground Protected	Yes
Min. Load Impedance	3.2 Ohms
Input Load Impedance	10K Ohms
Plastic	Fire Rated V-0
Max. no. of Amplifiers on one line	20
Available Backcan <i>(Sold Separately)</i>	UL Listed and Plenum Rated
Warranty	1 year

Model Number	IC5	IC6
Description:	5.25" 2-Way Co-Axial	6.5" 2-Way Co-Axial
Covered Outdoor:	Yes	Yes
Impedance:	8 Ohms	8 Ohms
Sensitivity (1W/1M):	85.2 dB	86.5 dB
Max Power:	40 Watts	50 Watts
Nominal Power:	20 Watts	25 Watts
Frequency Response:	70 Hz - 20 kHz	45 Hz - 20 kHz
Crossover:	4 kHz	4 kHz
Woofers Size:	5.25"	6.5"
Woofers Material:	Paper Coated	Paper Coated
	Polyurethane Surround	Polyurethane Surround
Tweeter Size:	0.5"	0.5"
Tweeter Material:	Hard Dome	Hard Dome
	(Ferofluid Cooled)	(Ferofluid Cooled)
Grill Material:	Aluminum	Aluminum
Dimensions:	8" D x 2 1/2" H	9" D x 2 1/2" H
Weight:	2.60 lbs.	2.90 lbs.
Mounting Hardware:	Kwik Klamps	Kwik Klamps
Cut Out Size:	6 5/8"	7 5/8"
Paintable:	Yes	Yes

SELF-AMPLIFIED IN-CEILING SPEAKER COMBINATION PROGRAM (Single Source)



5" MODEL	MODEL NAME	AMP-IC5 <i>(Single Source)</i>	POWER SUPPLY <i>(UL Listed)</i>	IC5 (8 Ohms)	TILE BRIDGE 5TB	BACKCAN <i>(UL Listed)</i> <i>(Plenum Rated)</i>	VOLUME CONTROLS <i>Available in White (W) or Brushed Steel (BS)</i>		STEREO COMBINER AMP-STCOMB
							STEREO AMP-STVC	MONO AMP-MOVC	
A	SINGLE SPEAKER COMBINATION								
	AMP1S51	1 ea	1 ea	-	1 ea	1 ea	-	-	-
	AMP1S51MVC	1 ea	1 ea	-	1 ea	1 ea	-	1 ea	Optional <i>(Sold Separately)</i>
	AMP1S51SVC	1 ea	1 ea	-	1 ea	1 ea	1 ea	-	-
B	TWO SPEAKER COMBINATION								
	AMP1S52	1 ea	1 ea	1 ea	2 ea	2 ea	-	-	-
	AMP1S52MVC	1 ea	1 ea	1 ea	2 ea	2 ea	-	1 ea	Optional <i>(Sold Separately)</i>
	AMP1S52SVC	1 ea	1 ea	1 ea	2 ea	2 ea	1 ea	-	-
C	FOUR SPEAKER COMBINATION								
	AMP1S54	1 ea	1 ea	3 ea	4 ea	4 ea	-	-	-
	AMP1S54MVC	1 ea	1 ea	3 ea	4 ea	4 ea	-	1 ea	Optional <i>(Sold Separately)</i>
	AMP1S54SVC	1 ea	1 ea	3 ea	4 ea	4 ea	1 ea	-	-
6" MODEL	MODEL NAME	AMP-IC6 <i>(Single Source)</i>	POWER SUPPLY <i>(UL Listed)</i>	IC6 (8 Ohms)	TILE BRIDGE 6TB	BACKCAN <i>(UL Listed)</i> <i>(Plenum Rated)</i>	STEREO AMP-STVC	MONO AMP-MOVC	STEREO COMBINER AMP-STCOMB
D	SINGLE SPEAKER COMBINATION								
	AMP1S61	1 ea	1 ea	-	1 ea	1 ea	-	-	-
	AMP1S61MVC	1 ea	1 ea	-	1 ea	1 ea	-	1 ea	Optional <i>(Sold Separately)</i>
	AMP1S61SVC	1 ea	1 ea	-	1 ea	1 ea	1 ea	-	-
E	TWO SPEAKER COMBINATION								
	AMP1S62	1 ea	1 ea	1 ea	2 ea	2 ea	-	-	-
	AMP1S62MVC	1 ea	1 ea	1 ea	2 ea	2 ea	-	1 ea	Optional <i>(Sold Separately)</i>
	AMP1S62SVC	1 ea	1 ea	1 ea	2 ea	2 ea	1 ea	-	-
F	FOUR SPEAKER COMBINATION								
	AMP1S64	1 ea	1 ea	3 ea	4 ea	4 ea	-	-	-
	AMP1S64MVC	1 ea	1 ea	3 ea	4 ea	4 ea	-	1 ea	Optional <i>(Sold Separately)</i>
	AMP1S64SVC	1 ea	1 ea	3 ea	4 ea	4 ea	1 ea	-	-



205 Westwood Ave, Long Branch, NJ 07740
 Phone: 866-94 BOARDS (26273) / (732)-222-1511
 Fax: (732)-222-7088 | E-mail: sales@touchboards.com