

Installation Instructions

Models AMPIC5 / AMPIC6

(Speaker Combination Models AMP1S51 / AMP1S52 / AMP1S54
AMP1S61 / AMP1S62 / AMP1S64)

SELF-AMPLIFIED IN-CEILING SPEAKERS
(SINGLE INPUT/SOURCE)



Established 1978



205 Westwood Ave, Long Branch, NJ 07740
Phone: 866-94 BOARDS (26273) / (732)-222-1511
Fax: (732)-222-7088 | E-mail: sales@touchboards.com

Table of Contents

Important Safety Instructions	Page 3 to 4
Introduction	Page 5
Specification – Self Amplified Speakers Models AMPIC5 / AMPIC6	Page 5
Module – Self Amplified Speakers Models AMPIC5 / AMPIC6	Page 6 to 7
One Amplified Speaker Wiring Diagram – AMP1S51 / AMP1S61	Page 8
Two Speaker Combination Wiring Diagram – AMP1S52 / AMP1S62	Page 9
Four Speaker Combination Wiring Diagram – AMP1S54 / AMP1S64	Page 10
Wiring Diagram – Self Amplified Speaker to another Self Amplified Speaker	Page 11
Trouble Shooting Guide	Page 12
Limited Warranty Information – AMPIC5 / AMPIC6	Page 12
Warranty Card	Page 13
Drywall/Stucko/Sheet Rocks In-ceiling Speaker Installation	Page 14
Tee Bar In-ceiling Speaker Installation	Page 15
IC5 / IC6 (Non Amplified Speaker) Specifications	Page 16
In-ceiling Speakers Mounting Instructions	Page 16 to 18
Warranty Information – IC5 / IC6 (Non-amplified Speakers)	Page 19
Self Amplified Speaker Combination Program	Back Cover



CAUTION
RISK OF ELECTRIC SHOCK



DO NOT OPEN

**CAUTION: TO REDUCE THE RISK OF ELECTRIC SHOCK
DO NOT REMOVE COVER (OR BACK)
NO USER-SERVICEABLE PARTS INSIDE
REFER SERVICING TO QUALIFIED PERSONNEL**



The lightning flash with arrowhead symbol within an equilateral triangle is intended to alert the user to the presence of uninsulated "dangerous voltage" within the product's enclosure that may be of sufficient magnitude to constitute a risk of electric shock to persons.



The exclamation point within an equilateral triangle is intended to alert the user of the presence of important operating and maintenance (servicing) instructions in the literature accompanying the appliance.

The apparatus shall not be exposed to dripping or splashing and that no objects filled with liquids, such as vases, shall be placed on the apparatus.

IMPORTANT SAFETY INSTRUCTIONS

1. Read these instructions - All the safety and operation instructions should be read before this OWI product is operated.
2. Keep these instructions - The safety and operating instructions should be kept for future reference.
3. Heed all warnings - All warnings on this product and in these operating instructions should be followed.
4. Follow all instructions - All operating and other instructions should be followed.
5. Do not use this apparatus near water - for example, near a bathtub, washbowl, kitchen sink, laundry tub, in a wet basement, near a swimming pool, swamp or salivating St. Bernard dog, etc.
6. Clean only with dry cloth.
7. Do not block any ventilation openings. Install in accordance with the manufacturer's instructions. - This OWI product should be situated so that its location or position does not interfere with its proper ventilation. For example, the Component should not be situated on a bed, sofa, rug, or similar surface that may block any ventilation openings, or placed in a built-in installation such as a bookcase or cabinet that may impede the flow of air through ventilation openings.
8. Do not install near any heat sources such as radiators, heat registers, stoves or other apparatus (including amplifiers) that produce heat.
9. Do not defeat the safety purpose of the polarized or grounding-type plug. A polarized plug has two blades with one wider than the other. A grounding type plug has two blades and a third grounding prong. The wider blade or the third prong is provided for your safety. If the provided plug does not fit into your outlet, consult an electrician for replacement of the obsolete outlet.
10. Protect the power cord from being walked on or pinched particularly at plugs, convenience receptacles, and the point where they exit the apparatus.
11. Only use attachment/accessories specified by the manufacturers.
12. Use only with the cart, stand, tripod, bracket or table specified by the manufacturer, or sold with the apparatus. When a cart is used, use caution when moving the cart/apparatus combination to avoid injury from tip-over.



13. Unplug this apparatus during lightning storms or when unused for long periods of time.
14. Refer all servicing to qualified service personnel. Servicing is required when the apparatus has been damaged in any way, such as power-supply cord or plug is damaged, liquid has been spilled or objects have fallen into the apparatus, the apparatus has been exposed to rain or moisture, does not operate normally, or has been dropped. The user should not attempt to service this OWI product beyond those means described in this operating manual. All other servicing should be referred to the OWI Service Department.
15. To reduce the risk of fire or electric shock, do not expose this apparatus to rain or moisture.
16. To prevent electric shock, do not use this polarized plug with an extension cord, receptacle or other outlet unless the blades can be fully inserted to prevent blade exposure.
17. Exposure to extremely high noise levels may cause permanent hearing loss. Individuals vary considerably in susceptibility to noise-induced hearing loss, but nearly everyone will lose some hearing if exposed to sufficiently intense noise for a period of time. The U.S. Government's Occupational Safety and Health Administration (OSHA) has specified the permissible noise level exposures shown in the following chart.
According to OSHA, any exposure in excess of these permissible limits could result in some hearing loss. To ensure against potentially dangerous exposure to high sound pressure levels, it is recommended that all persons exposed to equipment capable of producing high sound pressure levels use hearing protectors while the equipment is in operation. Ear plugs or protectors in the ear canals or over the ears must be worn when operating the equipment in order to prevent a permanent hearing loss if exposure is in excess of the limits set forth here.
18. OWI recommends that this apparatus is to be placed on a switched power outlet, one that switches both sides of the line and has contact separation of at least 3mm.

<u>Duration Per Day</u>	<u>Sound Level dab</u>	<u>Typical</u>
In Hours	Slow Response	Example
8	90	Duo in small club
6	92	
4	95	Subway Train
3	97	
2	100	Very loud classical music
1.5	102	
1	105	Patrice screaming at Ron about deadlines
0.5	110	
0.25 or less	115	Loudest parts at a rock concert

Installation Instructions

Models AMPIC5 / AMPIC6

(UL Listed)

and

Speaker Combination Models

AMP1S51, AMP1S52, AMP1S54, AMP1S61, AMP1S62 & AMP1S64

Models AMPIC5 / AMPIC6 carton includes the following items:

1. One (1) each AMPIC5 or AMPIC6
2. One (1) each UL Listed Power Supply

(IC5/IC6, Tile Bridge, Backcan and Volume Control are Optional and are Sold Separately or in a Set)

Models AMP1S51, AMP1S52, AMP1S54, AMP1S61, AMP1S62, AMP1S64 plus AMP Volume Control – Please see back cover of this manual for content of respective master carton.

Introduction:

The AMPIC5/AMPIC6 is designed to provide an OWI 5.25” (IC5) or 6.5” (IC6) speaker that is self powered allowing line input audio that is either balanced or unbalanced to provide the input signal. The power amplifier provides up to 25 watts of power. It has enough power to allow up to a total of four non-amplified speakers to be powered by one power amplifier installed on one of the four non-amplified speakers. This would then allow each speaker to have approximately 5 watts of power. Five watts would be enough power for background music, voice paging or many voice applications. The AMPIC5/AMPIC6 can also be daisy chained up to a maximum of 20 connected amplified speakers.

Specifications:

Model Number

AMPIC5 / AMPIC6

Frequency Response	50 Hz to 15 kHz. HF is optimized to enhance frequency response of the speaker.
THD	<.1%
S/N	>90dB
Input Configuration	Differential (noise reducing)
Minimum Common Mode Rejection	40dB
Maximum Power Output	25 Watts
At load impedance	4 Ohms (2 speakers in parallel or 4 speakers in series parallel)
Minimum Power Supply Voltage	8 Volts
Maximum Supply Voltage	14 Volts
Maximum current protected	Yes
Short Circuit protected	Yes
One wire to ground protected	Yes
Minimum Load Impedance	3.2 Ohms
Input Load Impedance	10K Ohms
Plastic	Fire rated V-0
Maximum number of Amplifiers on one line	20
Available Backcan (Sold Separately)	UL Listed and Plenum rated
Available Tile Bridge (Sold Separately)	Support Truss
Warranty	1 year

OWI SELF-AMPLIFIED (SINGLE INPUT/ SOURCE) SPEAKER MODULE

AMPIC5 / AMPIC6



Description:

Having many of the recent most popular installer features, the AMPIC 5/6 power module is made to expressly fit onto the OWI Model IC5 or IC6 coaxial speaker providing a high fidelity module providing up to 25 watts of Class AB power right at the speaker. By being within inches of the speaker, the amplifier enjoys maximum damping control of the speaker since the speaker sees optimum low source impedance for maximum high fidelity reproduction. By being a dedicated amplifier to this speaker, it is tailored to match the speaker for optimum response.

Lower Noise Feature, Differential input

The power module has critical features making it a fast and easy install in the field. To reject noise, it has a fully differential amplifier at its input. Also it provides the same kind of noise suppression a transformer does with excellent common mode noise rejection.

Single ended sources (unbalanced) such as CD, DVD

Where the source is single ended such as CD player, plus goes to plus and the shield goes to the minus input. If any noise is observed, place a jumper between minus and ground.

Minimum additional space

The amplifier is molded to fit exactly around the speaker magnet allowing the smallest possible size. It adds barely an eighth of an inch more depth for those tight installations. For convenience the connectors located under the PCB are docking and simply unplug allowing convenient wire attachment.

To further enhance its ease of installation, each power module has both a second connector for downstream amplifiers and individual volume controls at each amplifier. If no controls are wished at the speaker, simply turn it fully clockwise for maximum gain and set levels at the control electronics.

Wiring to down stream power modules using the provided output connector

Wire Plus to Plus, Minus to Minus, but only connect one end of the shield at the second amplifier module. This will optimize system noise. For third amplifiers etc. follow the same rule; connect all three wires at the farthest module and don't connect the shield at the second connector

Wiring the speakers - The amplifier is capable of delivering power into either 4 or 8 ohms.

1 speaker – direct

2 speakers – Parallel - Since the speaker is 8 ohms, two in parallel work well

4 Speakers – Use series parallel- Wire speaker pairs in series then take the pairs and place them in parallel. This will provide approximately 6.5 watts per speaker or a maximum of 25 watts. Actually the output power is influenced by the length the wire is run, and wire gauge.

Power source

Power is provided by a 12 volts AC source. There is no polarity on the power input. Use a minimum of 16-gauge wire up to a maximum length of 30 feet. If the installer is stuck with only DC, it will work too. Either AC or DC power source will work up to 14 volts. The Power Module AMPIC 5/6 comes with a 12-volt AC power supply optimized for this amplifier.

Wire gauge

For music applications, where one amplifier is powering one more speaker, use a minimum of 16-gauge wire. For Monday night football bar installations, make the wire gauge as large as possible between speakers.

Low level audio wire runs

Low-level audio needs only 22 gauge twisted pair with shield. Beldon 9451 or equivalent is a popular choice. Being differential, the low level input can be as long as 3500 feet without concern. If the source is unbalanced, a balancing preamplifier is recommended for longer runs over 200 ft.

Powering secondary speakers without amplifiers in paging only applications

For paging applications, voice only, very minimal current is needed therefore 18 gauge in most cases up to 250 ft will be sufficient.

Amplifier Protection

The amplifier is protected from shorts, over heating and will shut itself down until the heat or short is removed. To avoid heat issues, an extra large heat sink is featured on the amplifier.

Loud music installations, dance floors etc.

Provide power at every speaker. Turn their volumes all the way up controlling level at a central location. If a subwoofer is used, crossover at 180 Hz and provide signal the module from 180 Hz and up. A CD output on each channel will power up to 5 power modules. After that, a preamplifier will be needed.

In most cases, particularly if a subwoofer is used, 12.5 watts per speaker will provide excellent sound and that will allow each module to power one more speaker.

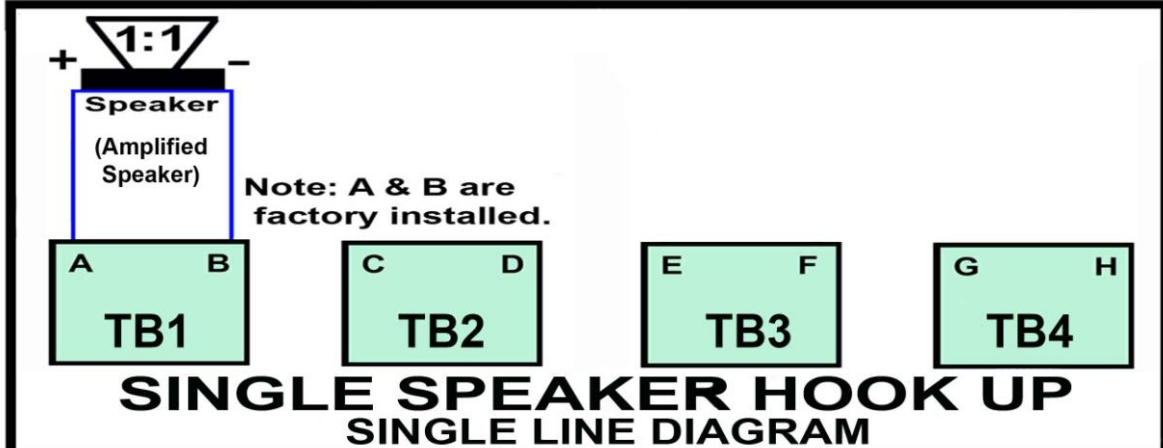
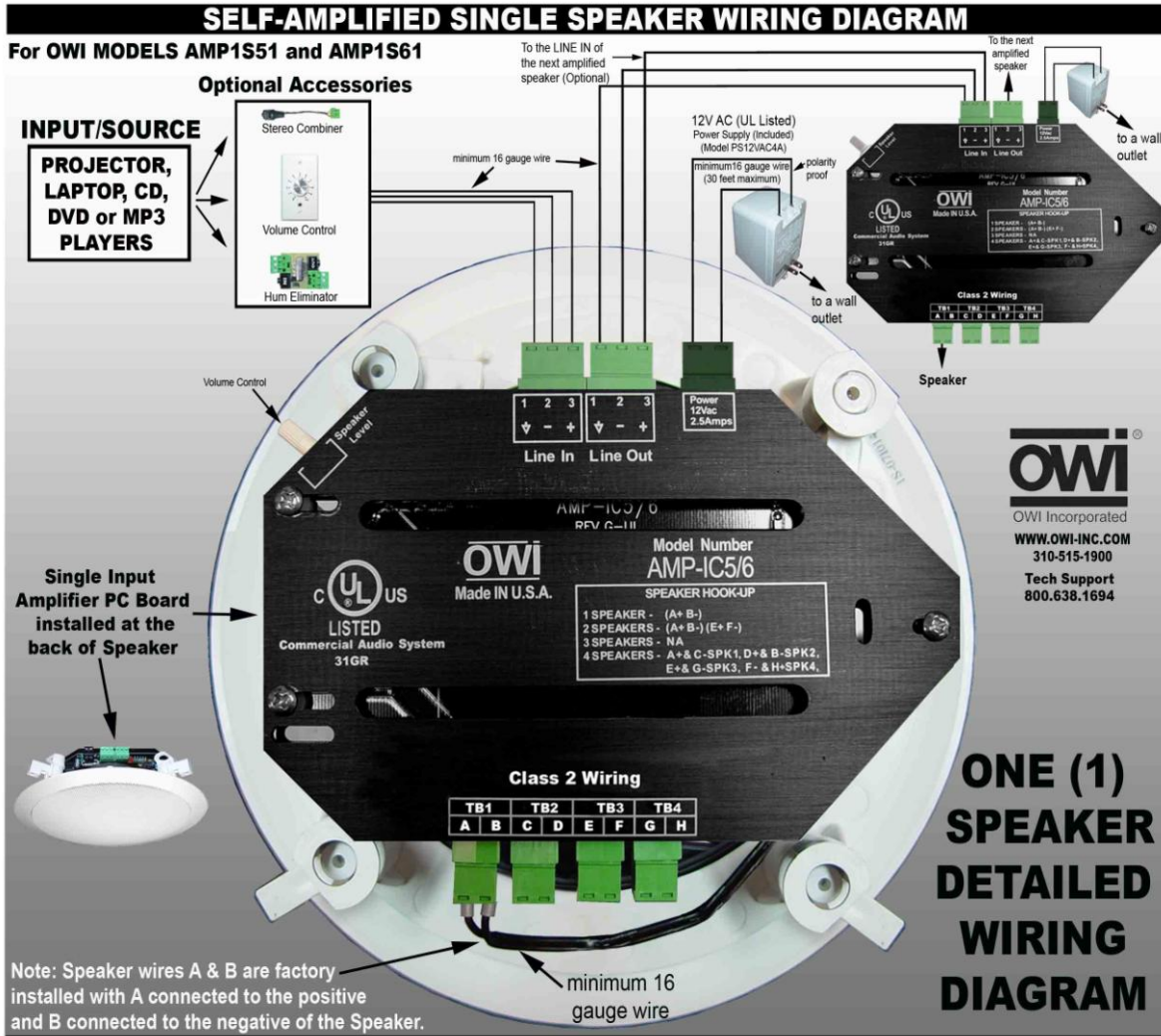


205 Westwood Ave, Long Branch, NJ 07740
Phone: 866-94 BOARDS (26273) / (732)-222-1511
Fax: (732)-222-7088 | E-mail: sales@touchboards.com

SELF AMPLIFIED SINGLE SPEAKER DETAILED WIRING DIAGRAM

A. ONE AMPLIFIED SPEAKER WIRING DIAGRAM

Models AMP1S51 & AMP1S61

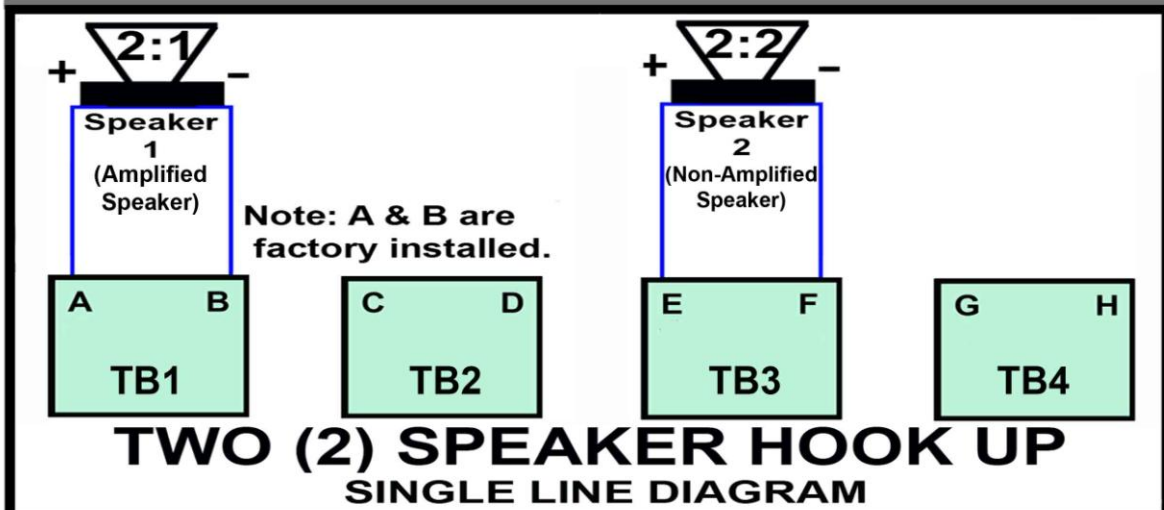
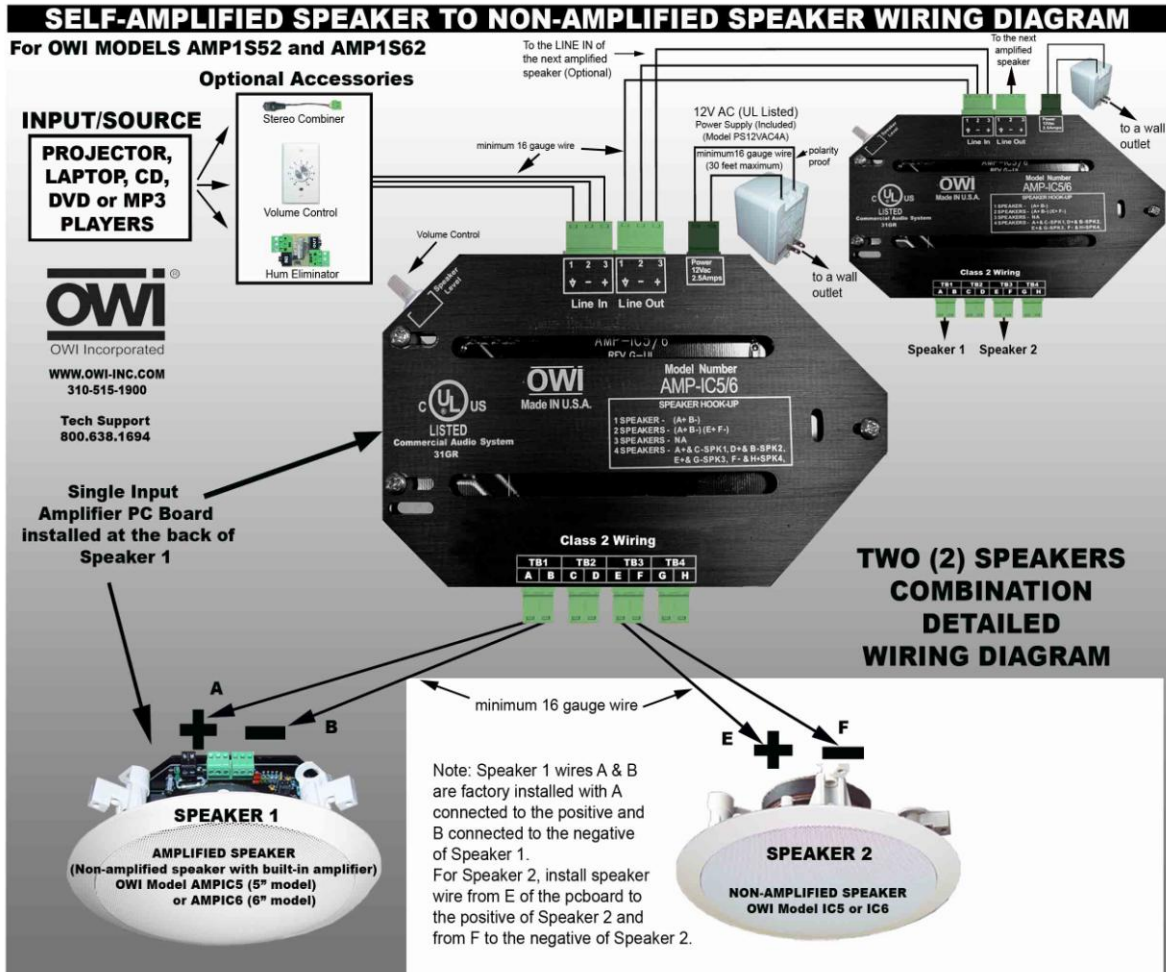


Filename: AMPIC 1 Input Detailed Wiring Diagram 1 SPEAKER 09/12/11

SELF AMPLIFIED SPEAKER TO NON-AMPLIFIED SPEAKERS DETAILED WIRING DIAGRAM

B. TWO SPEAKER COMBINATION WIRING DIAGRAM

Models AMP1S52 & AMP1S62

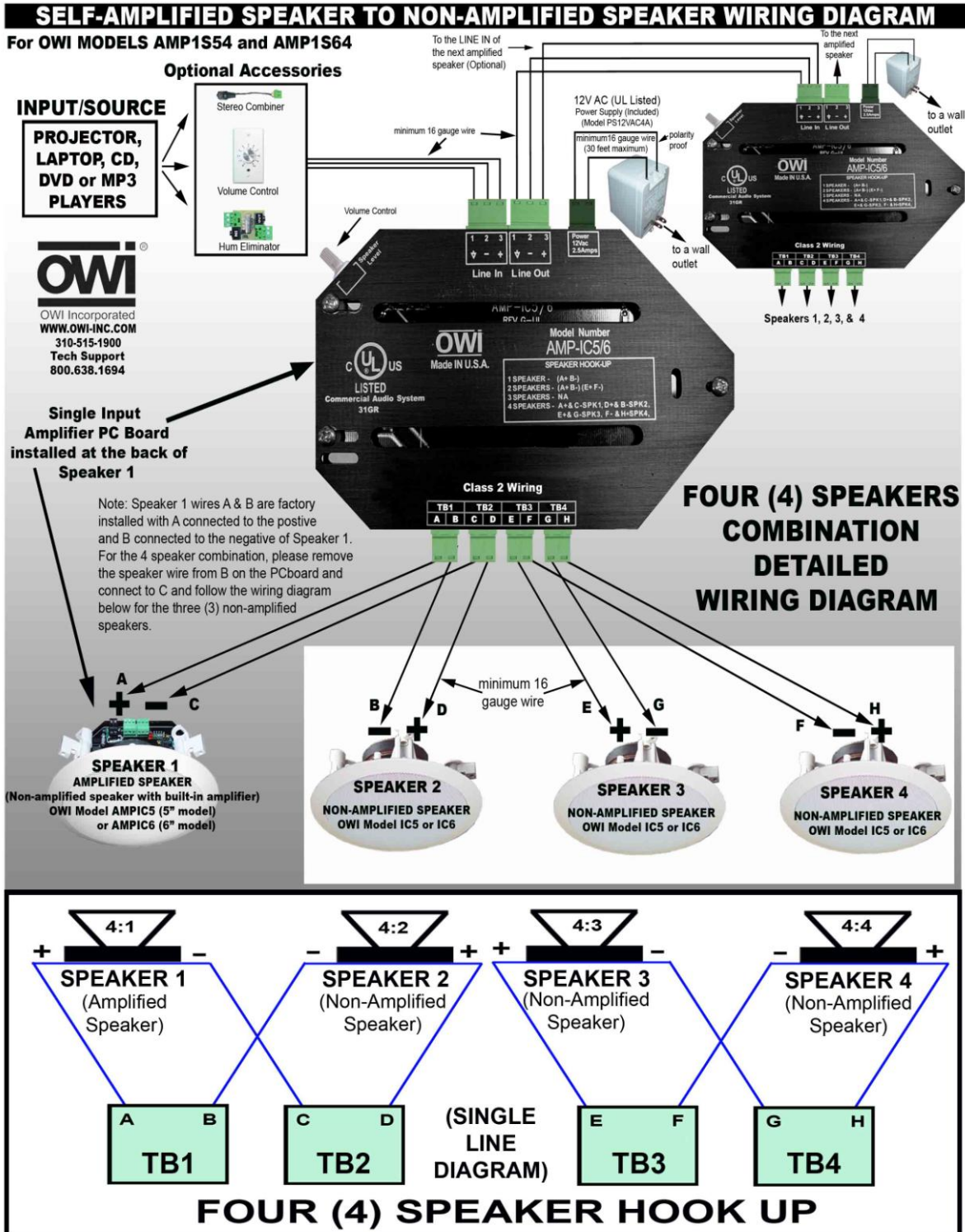


Filename: AMPIC 1 Input Detailed Wiring Diagram 2 SPEAKERS 09/12/11

SELF AMPLIFIED SPEAKER TO NON-AMPLIFIED SPEAKERS DETAILED WIRING DIAGRAM

C. FOUR SPEAKER COMBINATION WIRING DIAGRAM

Models AMP1S54 & AMP1S64

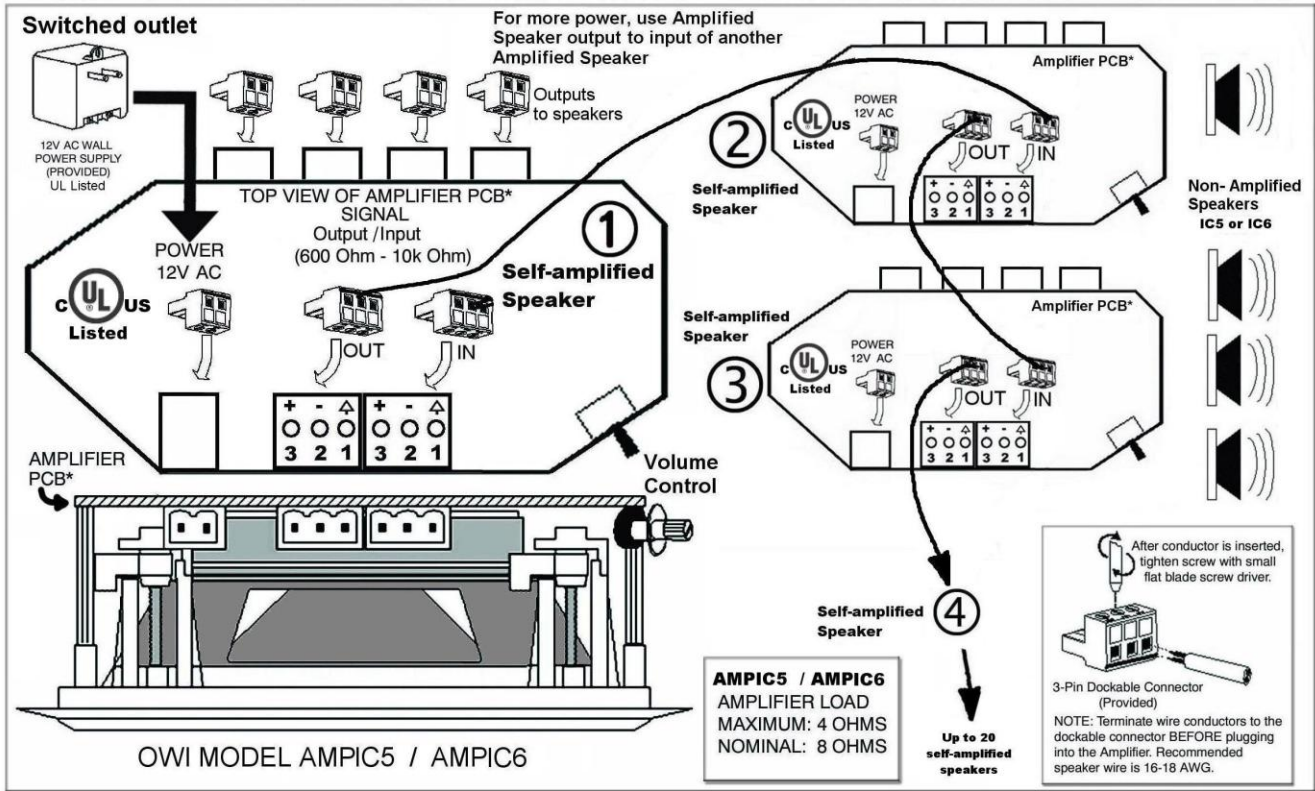


Filename: AMPIC1 Input Detailed Wiring Diagram 4 SPEAKERS 09/12/11

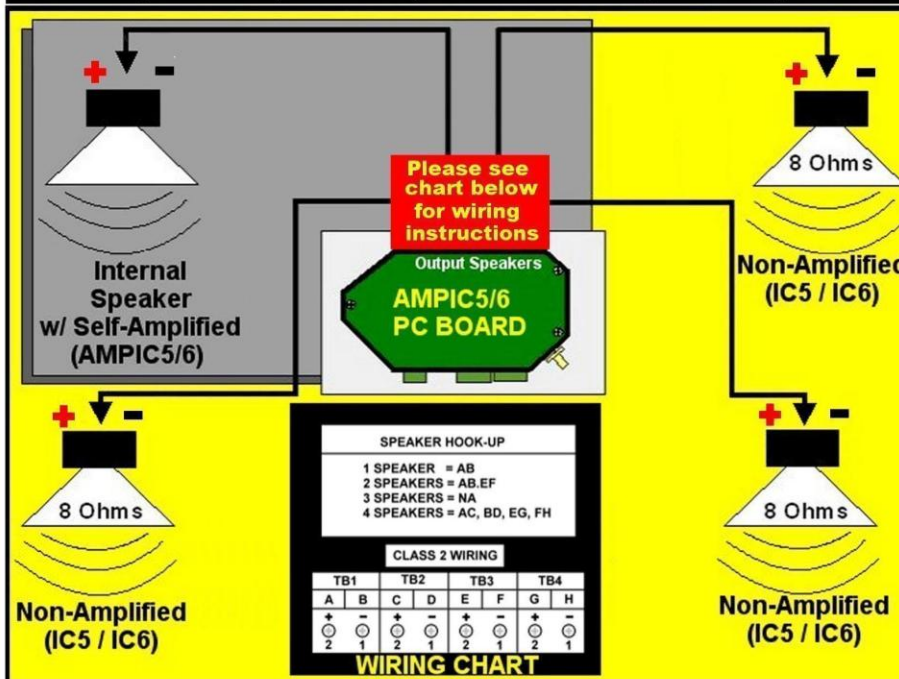
SELF AMPLIFIED SPEAKER TO SELF AMPLIFIED SPEAKER DETAILED WIRING DIAGRAM

OWI MODEL AMPIC5 / AMPIC6

SELF-AMPLIFIED SPEAKER TO ANOTHER SELF-AMPLIFIED SPEAKER WIRING DIAGRAM



Self Amplified Speaker up to 4 Non-Amplified Speakers



Recommended Accessories

- Back Can (BC)
UL Listed
Plenum Rated
(Back can required as per UL Standard)
- Mono (AMP-MOVC)
Stereo (AMP-STVC)
Line Level Volume Control
- Tile Bridge (TB)
- Stereo Combiner (AMP-STCOMB)
- Hum Eliminator (AMP-HUMELM)

Trouble Shooting Guide

1. No output: Disconnect any secondary speakers and check for operation of the primary speaker only. If still there is no output, check for loose screws on the green input connector. It is easy to think the wires are secured in the connector and one wire is not. Tug on each wire to make sure each is tight.
2. Intermittent output: Check for a shorted output causing the amplifier to go into output protection. Check each input wire for loose screws.
3. Distortion: Do not power more than one AMPIC5/6 on one power supply. While it will work, it will cause distortion.
4. No output, check to see that the power on light is on. It is located on the main PCB. If it is off, the power supply is either bad or has come loose in the power socket.
5. Hum, for single ended inputs, there is a need for a jumper between – and the ground screw. Most of the time, the jumper is needed.

LIMITED WARRANTY

1. The AMPIC5/6 product has been thoroughly tested and inspected at the factory. It is warranted for one (1) year from date of purchase.
IT IS THE OWNERS' RESPONSIBILITY TO ESTABLISH THE DATE OF PURCHASE BY ACCEPTABLE EVIDENCE AT TIME SERVICE IS SOUGHT.
2. Any unit, which in the judgment of OWI INC. is defective or develops defects under normal use will be replaced or repaired without cost within the warranty period.
3. This warranty will be considered void if unit has been dropped, misused, abused and altered in any manner, overdriven with excessive amplification exceeding manufacturer's specification, improperly serviced or accidental damage.
4. OWI Inc. shall have no liability whatsoever for consequential damage. The sole responsibility and discretion of OWI Inc. under this warranty shall be limited to the repair of the product or replacement thereof.
5. IMPORTANT: This warranty is void unless the attached card is completed and mailed to OWI Inc. within 10 days following the date of purchase. Units must be sent to OWI Inc. or to the dealer where purchased.

OWI INCORPORATED
17141 Kingsview Ave.
Carson, CA 90746-1207 USA

Date Purchased: _____
Model Number: _____
Serial Number: _____

(Keep this part for your record)

-----CUT AND MAIL-----



OWI INCORPORATED
17141 Kingsview Ave
Carson, CA 90746-1207 USA

LIMITED WARRANTY
(Self-Amplified Speaker - 1 year) – AMPIC5 / AMPIC6
(Non-Amplified Speaker - 5 years) – IC5 / IC6

Model Number: _____

Model Name: _____

Serial No. _____

Date of Purchase: Month: _____ Day _____ Year _____

Owner's Name: _____

Address: _____

City: _____ State _____ Zip _____

Dealer's Name: _____ City _____ State _____

Purchased from (please check one):


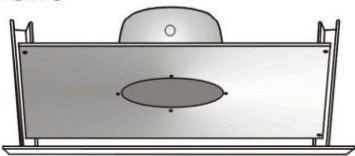
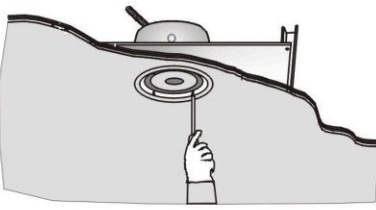
Video __, Electronic __, Mail Order __, Mass Merchandiser __, Installer __

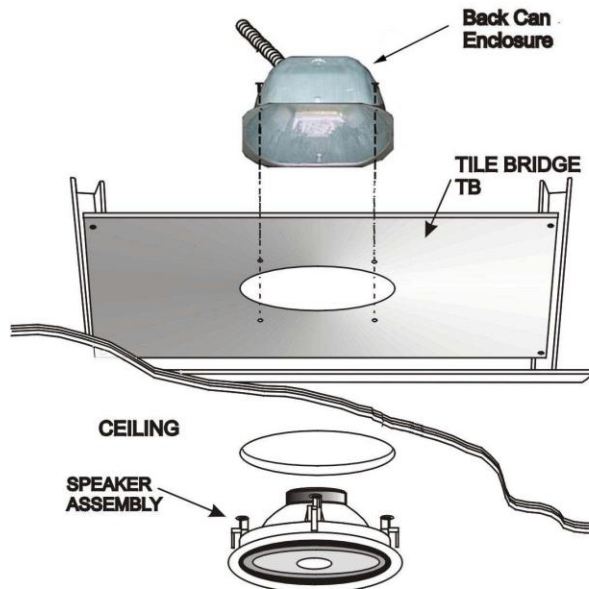
Others (please specify) _____

Remarks: _____

DRYWALL/STUCKO/SHEET ROCKS CEILING ASSEMBLY

The Quick and Easy Way to Install the OWI TB (Tile Bridge) and the Backcan Enclosure with a 6-1/2" or 5-1/4" OWI In-Ceiling Speaker.

1. Position the enclosure over the speaker hole and align it with the screw holes in the tile bridge. Insert and tighten 4 screws through the enclosure into the holes on top of the tile bridge. 
2. Insert and tighten four screws to attach the tile bridge to the beam. 
3. After hole is cut in the ceiling, connect the wires and install the speaker by tightening the screws of the four clamps. 

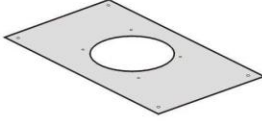
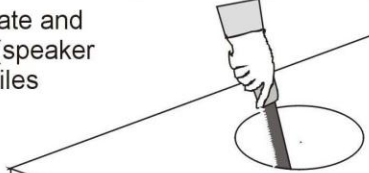
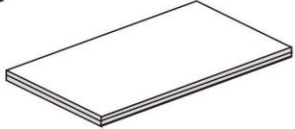
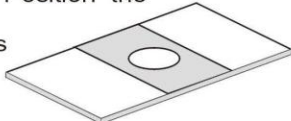
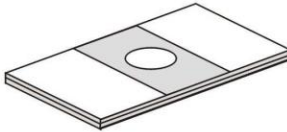
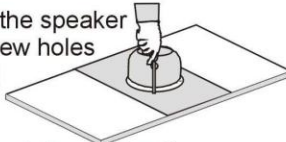
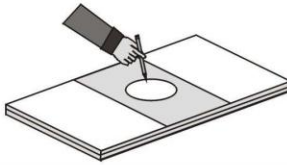
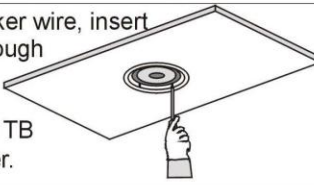


OWI INCORPORATED
17141 Kingsview Avenue, Carson, CA 90746-1207 USA
Tel: 310.515.1900 Fax: 310.515.1606
Email: info@owi-inc.com Website: www.owi-inc.com

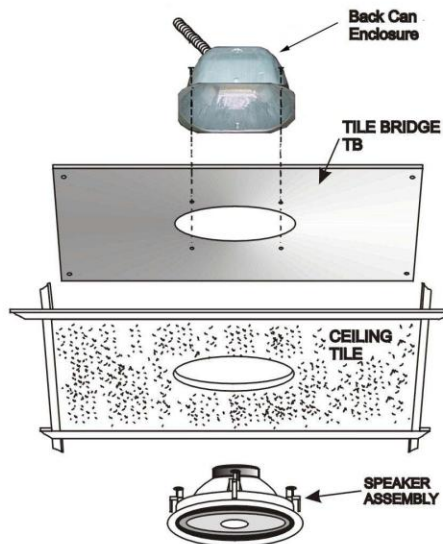




The Quick and Easy Way to Install the OWI TB (Tile Bridge) and the Backcan Enclosure with a 6-1/2" or 5-1/4" OWI In-Ceiling Speaker.
The TB will work on a 2' X 4', 2' X 2' lay-in type ceilings.

<p>1. Use one tile bridge (TB) as a template to make cut outs for all the ceiling tiles.</p>		<p>5. Remove the template and saw out the circle (speaker hole). Set ceiling tiles aside.</p>	
<p>2. To save time, cut 2 ceiling tiles at the same time. Lay the ceiling tile face to face.</p>		<p>6. Place one ceiling tile face down on the floor or on top of a table. Position the TB tile bridge across the tile with the speaker holes coinciding with each other.</p>	
<p>3. After finding the center of the ceiling tile, position the tile bridge template across the tile.</p>		<p>7. Position the enclosure over the speaker hole and align it with the screw holes in the tile bridge. Insert and tighten 4 screws through the enclosure into the holes on top of the tile bridge through the ceiling tile.</p>	
<p>4. Draw a circle using the speaker hole of the template (tile bridge).</p>		<p>8. After connecting the speaker wire, insert the speaker assembly through the hole and tighten the screws of the 4 clamps. The 4 clamps will hold the TB and the ceiling tile together.</p>	

TEE BAR CEILING ASSEMBLY





IN-CEILING/WALL-MOUNT SPEAKERS INSTALLATION / OWNERS' MANUAL

MODEL IC5 / IC6 (NON-AMPLIFIED SPEAKERS)

SPEAKER SPECIFICATIONS:

	MODEL IC5	MODEL IC6
DESCRIPTION:	5.25" 2-way in-ceiling speaker	6.5" 2-way in-ceiling speaker
COVERED OUTDOOR:	Yes	Yes
IMPEDANCE:	8 ohms	8 ohms
SENSITIVITY (1W/1M):	86dB 1w/M	87dB 1w/M
DISPERSION:	140 ^o	140 ^o
MAX POWER:	40 watts	50 watts
NOMINAL POWER:	20 watts	25 watts
FREQUENCY RESPONSE:	90Hz - 20KHz	65Hz-20KHz
WOOFER SIZE:	5.25"	6.5"
WOOFER MATERIAL:	Paper coated woofer with foam surround	Paper coated woofer with foam surround
TWEETER SIZE:	0.5" (13mm) balance tweeter	0.5" (13mm) balance tweeter
TWEETER MATERIAL:	Ferrite magnet with Mylar diaphragm material	Ferrite magnet with Mylar diaphragm material
GRILL MATERIAL:	Aluminum	Aluminum
DIMENSIONS:	7.95" (202mm) Dia. x 2 ^{3/4} " (70mm) mounting depth	8 ^{3/4} " (223mm) Dia. x 3 ^{3/8} " (85mm) mounting depth
CUT OUT SIZE:	6 ^{5/8} " (168mm)	7 ^{11/16} " (195mm)
WEIGHT:	2.17 lbs (985 gms)	2.51 lbs. (1140 gms)
MOUNTING HARDWARE:	Clamps - 4 each	Clamps - 4 each
PAINTABLE:	Yes	Yes

INSTALLATION:

Speaker Placement

Before installing your OWI speakers, consider the placement carefully, taking into effect the location of electrical, plumbing and other fixtures.

Placement in Ceiling

OWI speakers should be ideally located above the primary listening area.

Placement in Wall

Optimum sound will be achieved when your OWI speakers are installed at ear level or slightly higher and the listening area is no closer to the speakers than the distance between the speakers themselves.

Mounting your OWI Speakers

Determine the best area to mount your OWI speakers. It will be necessary to run your speaker wires to that location. This location must be free of obstructions, such as electrical conduits, HVAC ducts, or water lines.

Be sure the mounting surface is between 3/8 and 1 1/4 inches thick and there is at least a 2 3/4 inch clearance behind the mounting surface and no wall studs or other objects block the back of the speaker.

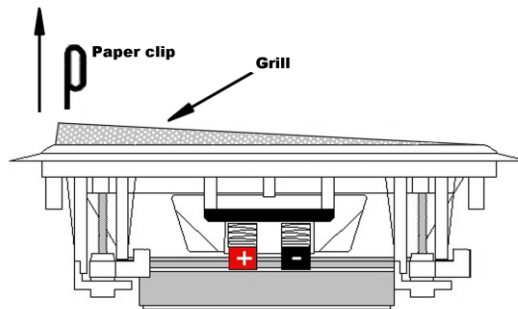
Remove the round cardboard disc from the template supplied and keep it for later use as a paint mask, if you decide to paint your speakers.

Use the template to mark the position for the mounting hole at the selected location. If you are not certain that no obstruction exists (electrical wiring, plumbing, etc.), you should start by cutting a small hole in the center of your penciled mounting hole with a drywall or keyhole saw, cutting at a 45 degree angle towards the inside of the hole. Cutting a small hole at this angle will make drywall repair much easier. Once you have determined there are no obstructions in your desired mounting location, start cutting the finished hole at a 90 degree angle to the wall/ceiling surface.

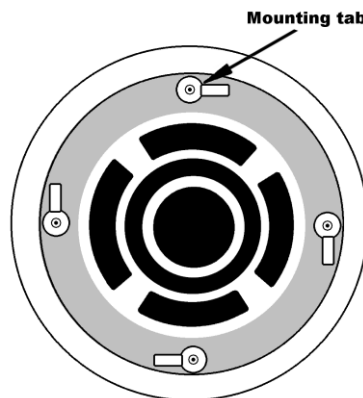
Route the speaker wires from your amplifier to your opening. Avoid routing the speaker wire near electrical wires. If you have to run them parallel, make certain to space the speaker wires at least 2 feet from the AC line. Do not nail or staple the speaker wire.

Preparing your OWI Speakers for Mounting

Insert a paper clip into one of the grille openings, then pull upwards to remove the grille.



Be sure to position the four Mounting Tabs on your OWI speaker inward then insert the four screws (supplied) from the front of the speaker into the screw opening.



Attach the speaker wires to the speaker terminals.

Insert your OWI speaker into the opening and tighten the four screws. As you tighten the screws, the tabs will automatically flip into an outward position thereby clamping the drywall between the feet and the flange of the speaker. **BE CAREFUL NOT TO OVER TIGHTEN, OVER TIGHTENING MAY WARP THE BAFFLE, CRACK THE WALL, CAUSE THE FLANGE TO DISTORT AND MAKE THE GRILL DIFFICULT TO INSTALL.**

Push the grille firmly into the slot in the speaker baffle.

Painting your OWI Speakers

The speakers' other surfaces are primed to accept ordinary latex wall paint or aerosol spray paint. The surface of the speaker behind the grille should remain black and must not be painted. It is necessary to mask this area with the center of the template that you have cut out.

The grille can be painted as well, but great care must be taken not to clog the holes in the grille as this will greatly reduce the sound quality of the speakers. It is recommended that only light spray painting using 5 parts thinning agent to 1 part paint be used. Do not paint the grilles while they are attached to the speaker.

Proper Wire Gauge Selection

The gauge of wire required is determined by the distance between your amplifier/receiver and the speakers. Use the following chart as a guide:

Length	Minimum Gauge
Less than 10 feet	18 - 20 Gauge
10 to 100 feet	16 to 18 Gauge
Over 100 feet	14 Gauge



LIMITED FIVE YEAR WARRANTY
(IC5/IC6 NON-AMPLIFIED IN-CEILING SPEAKER)

1. Your OWI speakers have been thoroughly tested and inspected at the factory. They are warranted for 5 years from the date of purchase. **It is the owner's responsibility to establish the date of purchase by acceptable evidence at the time service is sought.**
2. If the speaker proves to be defective in materials or workmanship within five years from the date of the original customer purchase, OWI, at its sole option may repair or replace the unit with a current model of equal or greater value. In some cases where a new model is substituted, a modification to the mounting surface may be required. If mounting surface modification is required, OWI assumes no responsibility or liability for such modification.
3. Exclusion of certain damages

Liability for any defective product is limited to repair or replacement of the product at our option. OWI Inc. shall have no liability whatsoever for any incidental or consequential damages of any kind of character because of product defect. **The sole responsibility of OWI Inc. under this warranty shall be limited to the repair of the product or replacement thereof, and is the sole discretion of OWI Inc.** Some states do not allow limitation on how long an implied warranty lasts and/or do not allow the exclusion or limitation of incidental or consequential damages, so the above limitation may not apply.

4. This warranty does not cover:
 - a. Damage caused by abuse, accident, misuse, negligence, improper operation (installation), overdriven with excessive amplification.
 - b. Products that have been altered or modified.
 - c. Any product whose serial number has been altered or removed.
 - d. Normal wear and maintenance.
 - e. Damages caused by shipping. All claims for shipping must be made with the carrier.















5. What OWI Inc. will pay for and what YOU must pay for:

OWI will repair or replace unit(s) covered by this warranty without charge to the customer for labor or materials. **You are responsible for any installation or removal charges and for any initial shipping charges**, if the unit(s) must be shipped for warranty service. However, OWI Inc. will pay the return shipping charges to any destination within the USA, if the repairs are covered by the warranty.

6. Warranty Service

Units for warranty repair must be sent to OWI Inc., or to the dealer where purchased, postage prepaid. Copy of original proof of purchase to be included with the speaker(s).

OWI SELF-AMPLIFIED SINGLE SOURCE/INPUT IN-CEILING SPEAKER COMBINATION PROGRAM

5" MODEL	AMPIC5 (Single Input) (UL Listed)	POWER SUPPLY (UL Rated)	IC5 (8 ohms) (UL Listed)	TILE BRIDGE 5TB (UL Listed)	BACKCAN (UL Listed) Plenum Rated	VOLUME CONTROL STEREO AMPSTYCW	STEREO COMBINER AMP-STCOMB	
	MODEL NAME(SKU)						 <small>Available in White (W)</small>	
A ONE SPEAKER								
A1	AMP1S51	1ea.	1ea.	-	1ea.	1ea.	-	Optional
A2	AMP1S51SVC	1ea.	1ea.	-	1ea.	1ea.	1ea.	(Sold Separately)
B TWO SPEAKERS								
B1	AMP1S52	1ea.	1ea.	1ea.	2ea.	2ea.	-	Optional
B2	AMP1S52SVC	1ea.	1ea.	1ea.	2ea.	2ea.	1ea.	(Sold Separately)
C FOUR SPEAKERS								
C1	AMP1S54	1ea.	1ea.	3ea.	4ea.	4ea.	-	Optional
C2	AMP1S54SVC	1ea.	1ea.	3ea.	4ea.	4ea.	1ea.	(Sold Separately)
6" MODEL								
6" MODEL	AMPIC6 (Single Input) (UL Listed)	POWER SUPPLY (UL Rated)	IC6 (8 ohms) (UL Listed)	TILE BRIDGE 6TB (UL Listed)	BACKCAN (UL Listed) Plenum Rated	VOLUME CONTROL STEREO AMPSTYCW	STEREO COMBINER AMP-STCOMB	
MODEL NAME(SKU)						 <small>Available in White (W)</small>		
D ONE SPEAKER								
D1	AMP1S61	1ea.	1ea.	-	1ea.	1ea.	-	Optional
D2	AMP1S61SVC	1ea.	1ea.	-	1ea.	1ea.	1ea.	(Sold Separately)
E TWO SPEAKERS								
E1	AMP1S62	1ea.	1ea.	1ea.	2ea.	2ea.	-	Optional
E2	AMP1S62SVC	1ea.	1ea.	1ea.	2ea.	2ea.	1ea.	(Sold Separately)
F FOUR SPEAKERS								
F1	AMP1S64	1ea.	1ea.	3ea.	4ea.	4ea.	-	Optional
F2	AMP1S64SVC	1ea.	1ea.	3ea.	4ea.	4ea.	1ea.	(Sold Separately)



205 Westwood Ave, Long Branch, NJ 07740
 Phone: 866-94 BOARDS (26273) / (732)-222-1511
 Fax: (732)-222-7088 | E-mail: sales@touchboards.com