

Installation Instructions

Wiring Diagrams



Model AMP1SGB

(SINGLE INPUT/SOURCE AMPLIFIER IN A UL RATED DOUBLE GANG BOX)



Established 1978

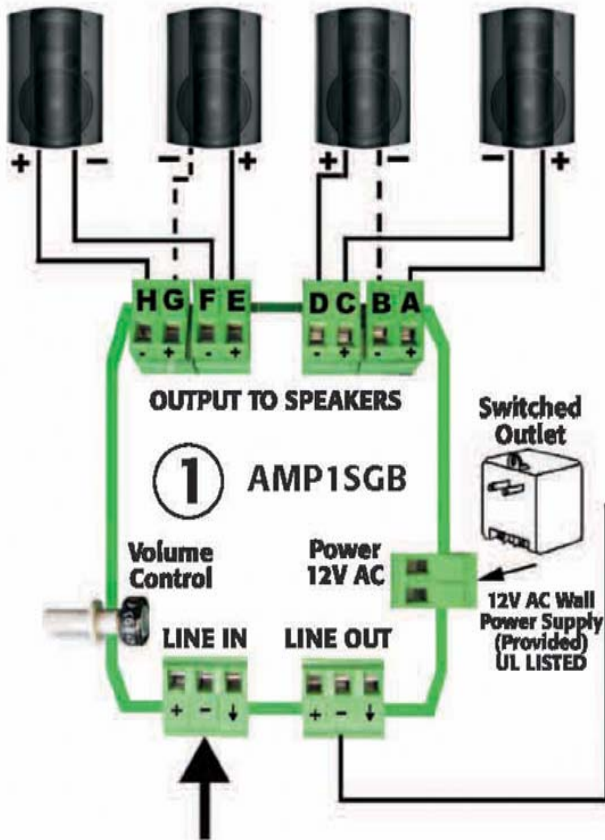


205 Westwood Ave, Long Branch, NJ 07740
Phone: 866-94 BOARDS (26273) / (732)-222-1511
Fax: (732)-222-7088 | E-mail: sales@touchboards.com

AMP1SGB to Another AMP1SGB Wiring Diagram with Surface Mounted Speakers Model P5278

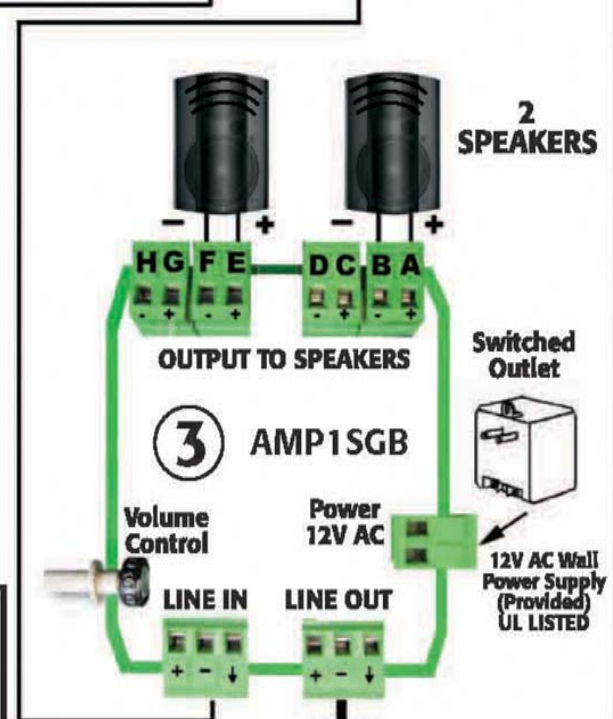
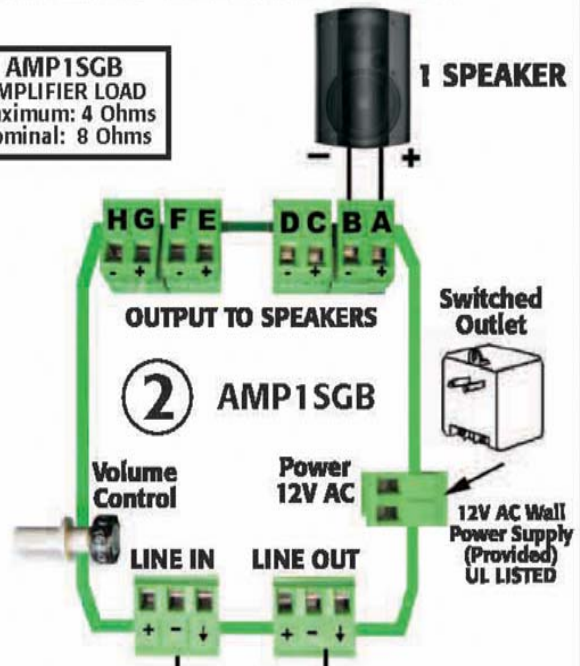
AMPLIFIER AND SPEAKER HOOK-UP

4 SPEAKERS – WIRE CONNECTION



CD/DVD/MP3 PLAYER
COMPUTER/PROJECTOR
(LINE LEVEL INPUT)

**AMP1SGB
AMPLIFIER LOAD**
Maximum: 4 Ohms
Nominal: 8 Ohms



SPEAKER HOOK-UP

1 Speaker	AB
2 Speakers	AB, EF
3 Speakers	NA
4 Speakers	AC, BD, EG, FH

CLASS 2 WIRING

TB1		TB2		TB3		TB4	
A	B	C	D	E	F	G	H
+	-	+	-	+	-	+	-
2	1	2	1	2	1	2	1

After conductor is inserted, tighten screw with small flat blade screwdriver

3-Pin Dockable connector (Provided)

NOTE: Terminate wire conductors to the dockable connector BEFORE plugging into the Amplifier. Recommended speaker wire is 16-18 AWG

4
Up to 20 Amplifiers

Trouble Shooting Guide

1. No output: Check for loose screws on the green input connector. It is easy to think the wires are secure in the connector and one wire is not. Tug on each wire to make sure each is tight.
2. Intermittent output: Check each input wire for loose screws.
3. Distortion: Do not power more than one AMP1SGB on one power supply. While it will work, it will cause distortion.

LIMITED WARRANTY

1. The AMP1SGB product has been thoroughly tested and inspected at the factory. It is warranted for one (1) year from date of purchase.
IT IS THE OWNERS' RESPONSIBILITY TO ESTABLISH THE DATE OF PURCHASE BY ACCEPTABLE EVIDENCE AT TIME SERVICE IS SOUGHT.
2. Any unit, which in the judgment of OWI INC. is defective or develops defects under normal use will be replaced or repaired without cost within the warranty period.
3. This warranty will be considered void if unit has been dropped, misused, abused, altered in any manner, overdriven with excessive amplification exceeding manufacturer's specification, improperly serviced or accidental damage.
4. OWI Inc. shall have no liability whatsoever for consequential damage. The sole responsibility and discretion of OWI Inc. under this warranty shall be limited to the repair of the product or replacement thereof.
5. IMPORTANT: This warranty is void unless the attached card is completed and mailed to OWI Inc. within 10 days following the date of purchase. Units must be sent to OWI Inc. or to the dealer where purchased.

OWI INCORPORATED
17141 Kingsview Ave
Carson, CA 90746

Date Purchased: _____
Model Number: _____
Serial Number: _____

(Keep this part for your record)

-----CUT AND MAIL-----



OWI INCORPORATED
17141 Kingsview Ave
Carson, CA 90746

LIMITED ONE YEAR WARRANTY

Model Number: _____

Model Name: _____

Serial No. _____

Date of Purchase: Month: _____ Day _____ Year _____

Owner's Name: _____

Address: _____

City: _____ State _____ Zip _____

Dealer's Name: _____ City _____ State _____

Purchased from (please check one):

Video __, Electronic __, Mail Order __, Mass Merchandiser __, Installer __

Others (please specify) _____

Remarks: _____
