



Established 1978  
 www.owi-inc.com  
 OWI Incorporated  
 17141 Kingsview Avenue  
 Carson, CA 90746-1207 USA  
 Tel: 310.515.1900

# MODEL AMPSTVCW

## Stereo/Mono Mixer Volume Control

### STEREO VOLUME CONTROL WIRING DIAGRAM

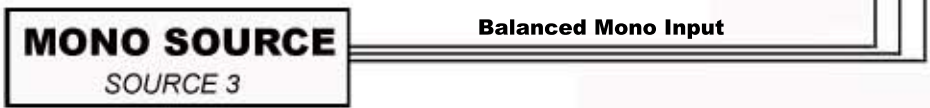
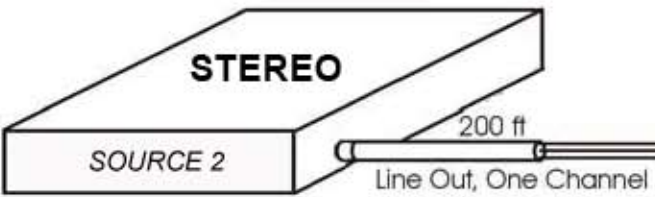
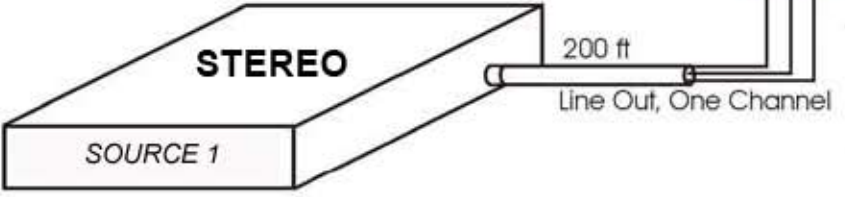
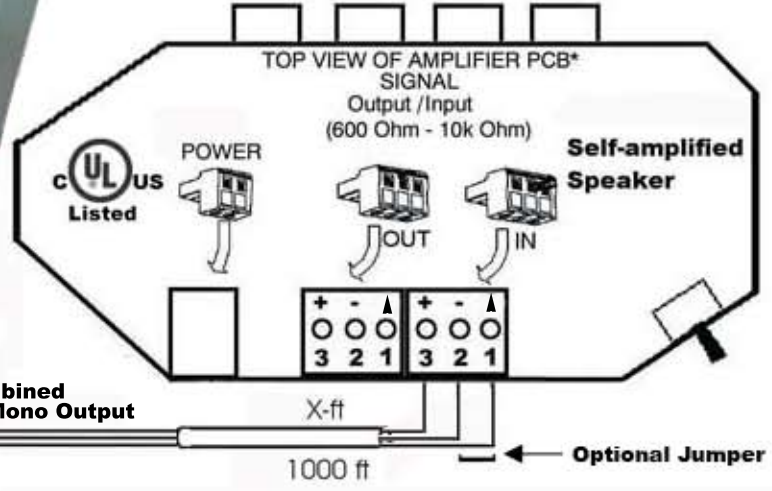
FOR THE IN-CEILING SELF-AMPLIFIED SPEAKERS AND AMP VOLUME CONTROL



205 Westwood Ave, Long Branch, NJ 07740  
 Phone: 866-94 BOARDS (26273) / (732)-222-1511  
 Fax: (732)-222-7088 | E-mail: sales@touchboards.com



Stereo Mini Jack



Shield

AMPSTVCW Front View



Stereo Mini Jack Input



Laptop



MP3 Player

**AMPSTVC**  
**Two Channel**  
**Two Stereo Combiners**  
**Stereo Volume Control**  
**Transformer Balanced**

Note: To avoid ground loops, use only plastic single gang boxes.