

# AS1 SERIES COMPACT CASE

## AC Current Sensing Switches

The AS1 Series Compact Case Current Sensing Switches are compact and inexpensive. The easy-to-use ring slips onto the conductor to give a solid-state contact for indication of current flow. Ideal for use in control panels, or wherever confirmation of current flow is desired. AS1 Series-CC current sensing switches are a cost-effective way to detect live conductors and see current flow to fans, heaters, pumps, lighting or other AC powered devices.



### Current Sensing Switch Applications

- Quick reporting of electric motor load status.
- Identify open heater circuit connection.
- Independent verification that the load is energized.
- Confirmation of operation for critical lighting or equipment.
- Low off state leakage is perfect for use as an input to a programmable logic controller.

### Current Sensing Switch Features

#### Low Sensitivity Turn-on Point

- Detect currents as low as 0.5 A with a single conductor pass; eliminates the need to wrap conductors multiple times to increase sensitivity.

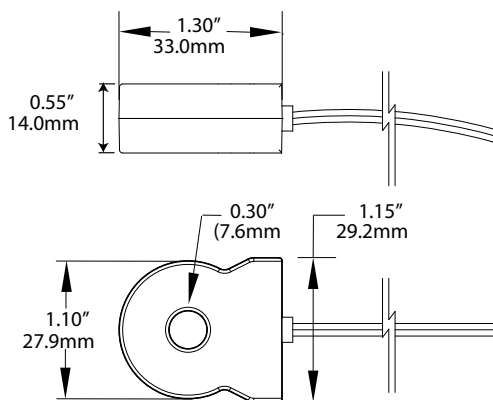
#### Reliable Solid-state Output

- No moving parts provides a nearly unlimited number of operations; powered from the monitored circuit.

#### Choice of Outputs

- Normally Open or Normally Closed connection. Connect the 24" long leads to a local controller or to a terminal block for remote operation.

### Current Sensing Switch Dimensions



- For additional Application Examples, go to [www.nktechnologies.com/applications](http://www.nktechnologies.com/applications)

### Current Sensing Switch Specifications



<b>Power Supply</b>	None, self-powered
<b>Setpoint Range</b>	0.5 A (factory set)
<b>Output Description</b>	Isolated solid-state relay
<b>Output Rating</b>	• 0.2 A @ 120 VAC/DC (N.O.) • 0.15 A @ 135 VAC/DC (N.C.)
<b>Off-state Leakage</b>	<10 $\mu$ A
<b>Response Time</b>	120 ms
<b>Time Delay</b>	None
<b>Hysteresis</b>	5%
<b>Overload</b>	6 sec. @ 500 A, 1 sec. @ 1000 A
<b>Isolation Voltage</b>	UL listed to 1270 VAC, tested to 5 KV
<b>Frequency Range</b>	50–400 Hz
<b>Case</b>	UL94 V-0 Flammability Rated
<b>Environmental</b>	-4 to 122°F (-20 to 50°C) 0–95% RH, non-condensing
<b>Listings</b>	UL /cUL, CE

### Current Sensing Switch Ordering Information

Sample Model Number: AS1-NOU-CC

Adjustable AC current sensing switch, normally open, solid-core, compact case.

AS1 – (1) (2) – C C

#### (1) Output Rating

NOU	Normally Open
NCU	Normally Closed

#### (2) Case Style

CC	Compact case
----	--------------

