



Production Aids and Accessories

Products and Solutions for Assembly



About ASG

We are personally committed to understanding and exceeding our customers' requirements. We are committed to continuously improving our products and processes.

We are dedicated to delivering products, services, and solutions on time and at a competitive value.

ASG, Division of Jergens, Inc. is an ISO 9001:2008 certified manufacturer, provider and service center for products and solutions focused around assembly. Since the 1970s, we have developed a first-class reputation unrivaled in the industry offering a wide range of world class products through our various world wide locations.

We offer a wide selection of products including: electric, pneumatic and manual torque control screwdrivers; torque and angle control precision fastening systems; automatic screw feeders and screw presenters; torque testers and calibration services; custom designed automation equipment as well as a full line of accessories.

ASG also offers a selection of value-added products and solutions including engineering and consulting services, financing, and extended protection and maintenance plans.



Industry Commitment

ASG is committed to the highest quality standards, ensuring that all processes and procedures are followed to produce the best products for our customers. We maintain ISO 9001:2008 certification for the manufacture, distribution, and service of assembly tools. Maintaining membership in key industry organizations in order to stay abreast of the most current industry trends and information is vital to serving our customers.



About HIOS



HIOS Inc. has specialized in the manufacture of screw tightening equipment since its establishment in 1970. HIOS continues to develop business today while considering global environment and improving overall work efficiency. HIOS aims to provide the highest quality while creating a comfortable working environment from the viewpoint of customers. They review the environment surrounding tightening operations from various aspects and try to improve it every day.

Assembly Product Group Reliable Performance



ASG Assembly features a wide range of products and solutions for general assembly. Featured in this product group: HIOS premium brand electric torque control screwdrivers and accessories, ASG brand torque control screwdrivers and accessories, and general assembly workstation aids. With unsurpassed error-proofing, high reliability, durability and repeatability, ASG Assembly products ensure long life and ease of use.

Table of Contents

About ASG	2
About HIOS.....	3
About ASG Assembly.....	3
Section 1: Torque Testers.....	4
Section 2: Tool Balancers and Positioners.....	16
Section 3: Torque Arm and Tool Support Stands	17
Section 4: Tape and Label Dispensers.....	20
Section 5: Screw Presenters and Accessories.....	27

Section 1: Torque Testers

ASG DTT Series

The ASG DTT Series Torque Testers are full capability, proven systems newly redesigned offering even more features than before.



- $\pm 0.5\%$ of full scale accuracy
- Calibration certificate traceable to N.I.S.T.
- Reads clockwise or counterclockwise
- **Compact Size:** 7.1 x 4.3 x 2.3 in. (181 x 109 x 59 mm)
- **Light Weight:** 5.0 lbs (2.3 kg)
- LCD display graphics
- 17 hour battery life
- **User Selectable Torque Units:** N.mm (not available on the DTT-500), N.cm, N.m, kgf.cm, kgf.m, lbf.in, and lbf.ft
- **Communications:** Mini USB to USB and RS-232
- **3 Modes of Operation:** Track, Peak, and First Peak
- **Multiple Functions:** Auto Reset, Auto Memory, Auto Zero, Real Time Clock, Pass/Fail Statistics, Torque Bar, Battery Indicator, Charging Status Indicator, and Transducer State
- 500 readings stored in memory
- Data collection **Torque Link** software included, available for download on the Literature/Downloads page on www.asg-jergens.com
- 3/8" female square drive
- Not for use with impact or pulse tools

The recommended torque range is reflected in the chart to the right.

Model Number	ASG Number	Torque Range	
		lbf.in	N.m
DTT-5	66700	0.5 - 5.0	0.06 - 0.56
DTT-10	66701	1.0 - 10.0	0.11 - 1.13
DTT-30	66702	3.0 - 30.0	0.33 - 3.4
DTT-50	66703	5.0 - 50.0	0.56 - 5.6
DTT-100	66704	10.0 - 100.0	1.13 - 11.3
DTT-200	66705	20.0 - 200.0	2.3 - 22.6
DTT-500	66706	50.0 - 500.0	5.6 - 56.5

Standard Equipment

Each DTT torque tester includes the following:

- Selection of rundown adapters for power tools (See page 5 for details)
- Battery charger — 12 V, 500 mA, 110-120 VAC (US) style wall plug
- Mini USB to USB cable
- Mounting plate (DTT-200 and DTT-500 models only)
- Carrying case

Torque Testers

ASG DTT Series (Continued)

ASG #CP66614 and #CP66616 are springs to be used with #CP66612 Adapter.

Included with DTT-5 (66700)					
ASG Number	Type	Drive Size	Torque Range		Spring Color
			lbf.in	N.m	
66620	Adapter w/ Spring	4 mm HIOS	0.25 - 2.0	0.03 - 0.23	Black
CP66612	Adapter	1/4" Hex	N/A	N/A	N/A
CP66614	Spring	N/A	1.3 - 5.0	0.15 - 0.56	Yellow

Additional optional rundown adapters can be found on page 7.

Included with DTT-10 (66701) and DTT-30 (66702)					
ASG Number	Type	Drive Size	Torque Range		Spring Color
			lbf.in	N.m	
66620	Adapter w/ Spring	4 mm HIOS	0.25 - 2.0	0.03 - 0.23	Black
CP66612	Adapter	1/4" Hex	N/A	N/A	N/A
CP66614	Spring	N/A	1.3 - 5.0	0.15 - 0.56	Yellow
CP66616	Spring	N/A	4.5 - 26.0	0.51 - 2.9	Black

Included with DTT-50 (66703) and DTT-100 (66704)					
ASG Number	Type	Drive Size	Torque Range		Spring Color
			lbf.in	N.m	
66633	Adapter w/ Spring	4 mm HIOS	4.5 - 26.0	0.51 - 2.9	Black
66617	Adapter w/ Spring	1/4" Hex	4.5 - 26.0	0.51 - 2.9	Black
66618	Adapter w/ Spring	1/4" Hex	25.0 - 80.0	2.8 - 9.03	Black

Included with DTT-200 (66705)					
ASG Number	Type	Drive Size	Torque Range		Spring Color
			lbf.in	N.m	
66618	Adapter w/ Spring	1/4" Hex	25.0 - 80.0	2.8 - 9.03	Black
66634	Adapter w/ Spring	3/8" Hex	50.0 - 200.0	5.6 - 22.6	Black

Included with DTT-500 (66706)					
ASG Number	Type	Drive Size	Torque Range		Spring Color
			lbf.in	N.m	
66618	Adapter w/ Spring	1/4" Hex	25.0 - 80.0	2.8 - 9.03	Black
66642	Adapter w/ Spring	3/8" Hex	50.0 - 500.0	5.6 - 56.5	Black

Torque Testers

ASG DTT-L Series

The ASG DTT-L Series Torque Testers are affordable units designed to provide required functions for testing without the added cost of multiple features.



- $\pm 0.5\%$ of full scale accuracy
- Calibration certificate traceable to N.I.S.T.
- Reads clockwise or counterclockwise
- **Compact Size:** 7.1 x 4.4 x 2.1 in. (181 x 112 x 54 mm)
- **Light Weight:** 4.8 lbs (2.2 kg)
- LCD display graphics
- 37 hour battery life
- **User Selectable Torque Units:** N.mm (not available on the DTT-L 500), N.cm, N.m, kgf.cm, kgf.m, lbf.in, and lbf.ft
- **3 Modes of Operation:** Track, Peak, and First Peak
- **Multiple Functions:** Auto Shutdown, Auto Reset, Pass/Fail, Memory, Torque Bar, Battery Indicator, Charging Status Indicator, and Transducer State
- 200 readings stored in memory
- 3/8" female square drive
- Not for use with impact or pulse tools

The recommended torque range is reflected in the chart to the right.

Model Number	ASG Number	Torque Range	
		lbf.in	N.m
DTT-L 5	66650	0.5 - 5.0	0.06 - 0.56
DTT-L 10	66651	1.0 - 10.0	0.11 - 1.13
DTT-L 30	66652	3.0 - 30.0	0.33 - 3.4
DTT-L 50	66653	5.0 - 50.0	0.56 - 5.6
DTT-L 100	66654	10.0 - 100.0	1.13 - 11.3
DTT-L 200	66655	20.0 - 200.0	2.3 - 22.6
DTT-L 500	66657	50.0 - 500.0	5.6 - 56.5

Standard Equipment

Each DTT-L torque tester includes a battery charger. Please note that rundown adapters are an accessory and must be ordered separately. See page 7 for details.

- Battery charger — 9 V, 500 mA, 110-120 VAC (US) style wall plug
- Mounting plate (DTT-L 200 and DTT-L 500 models only)

Torque Testers

ASG DTT and DTT-L Series Accessories

Rundown Adapters

Below is a list of all rundown adapters ASG offers for the DTT and DTT-L Series Torque Testers.

- Rundown adapters are included with the DTT torque testers. Please see the chart on page 5 for the included adapters.
- Rundown adapters are **not** included with the DTT-L torque testers. Select the needed rundown adapters from the chart below when ordering the tester.

ASG Adapter Number	Drive Size	Torque Range	
		lbf.in	N.m
66620	4 mm HIOS	0.25 - 2.0	0.03 - 0.23
66631	4 mm HIOS	1.3 - 5.0	0.15 - 0.56
66612*	1/4" Hex	1.3 - 5.0, 4.5 - 26.0*	0.15 - 0.56, 0.51 - 2.94*
66617	1/4" Hex	4.5 - 26.0	0.51 - 2.94
66633	4 mm HIOS	4.5 - 26.0	0.51 - 2.94
66635	5 mm HIOS	4.5 - 26.0	0.51 - 2.94
66618	1/4" Hex	25.0 - 80.0	2.8 - 9.03
66639	5 mm Hex	25.0 - 80.0	2.8 - 9.03
66634	3/8" Hex	50.0 - 200.0	5.65 - 22.6
66642	3/8" Hex	50.0 - 500.0	5.65 - 56.5

* ASG Adapter #66612 comes with two springs covering torque range from 1.3-5.0 lbf.in (0.15-0.56) and 4.5-26.0 lbf.in (0.51-2.94 N.m)



ASG #66620



ASG #66631



ASG #66612



ASG #66617



ASG #66633



ASG #66635



ASG #66618



ASG #66639



ASG #66634



ASG #66642

Torque Testers

ASG DTT and DTT-L Series Accessories (Continued)



ASG #66624

DTT and DTT-L Series Mounting Plate

- Supplied with DTT-200, DTT-500, DTT-L 200, DTT-L 500

DTT and DTT-L Series Mounting Stand



ASG #66624

- ASG #66624
- Not for use with DTT-200, DTT-500, DTT-L 200, DTT-L 500
- Torque meter not included with mounting stand



ASG #66624 pictured with DTT meter



ASG #66624 pictured with DTT-L meter



ASG #66629

DTT Series Communication Cable

- ASG #66629
- Mini USB to USB
- Supplied with the ASG DTT unit

Battery Chargers



ASG #915966

ASG Number	Description	For Use With
66608	12 Volt, 500mA, 110-120V US Power Adapter (Supplied)	DTT
915966	12 Volt, 500mA, 220-240V International Power Adapter	DTT
66603	9 Volt, 500 mA, 90-264 VDC US Power Adapter (Supplied)	DTT-L
66619	9 Volt, 670 mA, 90-264 VDC International Power Adapter	DTT-L

Torque Testers



ST Series Smart Transducers

Smart Transducers for ST Digital Torque Testers feature plug and play technology for ultimate flexibility. A single Smart Control Module can be used with each of the 22 Smart Transducers, covering a torque range of 0.5 to 2000 N.m across the series.

- Direct Plug-In and Wireless Smart Control Modules available
- Direct Plug-In Smart Control Module (AA battery operated) connects to PC via mini USB cable for data download for export to PC/SPC programs for analysis
- One Wireless Smart Receiver (AA battery operated) monitors several Wireless Smart Control Modules (connect to PC for power source and data download) one at a time
- PCFE software included, available for download on the Literature/Downloads page on www.asg-jergens.com
- Simple, easy to use menu driven platform
- High visibility, organic LED screen with viewing angle of 170 degrees
- 7 user-selectable torque units for flexibility
- **Modes Available Include:** Date, Track, Peak, Peak 1/2, Dynamic, Set, Recall, Upload, Languages, and Communications
- Stores 2000+ results with easy upload to PC or SPC programs
- Torque accuracy $\pm 0.5\%$ of actual reading from 10% to 100% of full scale
- Factory calibration certificate included
- AA battery operated units have a battery life of up to 180 hours

Required Components

Customize your torque testing needs by purchasing only the transducer(s) you need with the control module of choice. ST Series Smart Transducers require the purchase of either **SCB Direct Plug-In Smart Control Module** or **SCBW Wireless Smart Control Module** and **WCBR Smart Receiver**. The rundown adapters for the ST Series Smart Transducers can be found on page 12.

Torque Testers

ST Series Smart Transducers (Continued)

Control Modules

There are 2 configurations to choose from when purchasing the ST Series Smart Transducers.



SCB Direct Plug-In Smart Control Module
ASG #65200

- **SCB Direct Plug-In Smart Control Module Configuration**
 - Direct Plug-In Smart Control Module (ASG #65200) connects to PC via mini USB cable for data download (AA battery operated)
 - ST Series Smart Transducer(s) as needed for torque range

— OR —



SCBW Direct Plug-In Smart Control Module
ASG #65201

- **SCBW Wireless Smart Control Module and WCBR Smart Receiver Wireless Configuration**
 - Wireless Smart Control Module - SCBW (ASG #65201)
 - One per torque testing station
 - AA battery operated
 - Wireless Smart Receiver - WCBR (ASG #65197) collects data from one/several Wireless Smart Control Modules and connects to PC via mini USB cable (PC is power source)
 - ST Series Smart Transducer(s) as needed for torque range

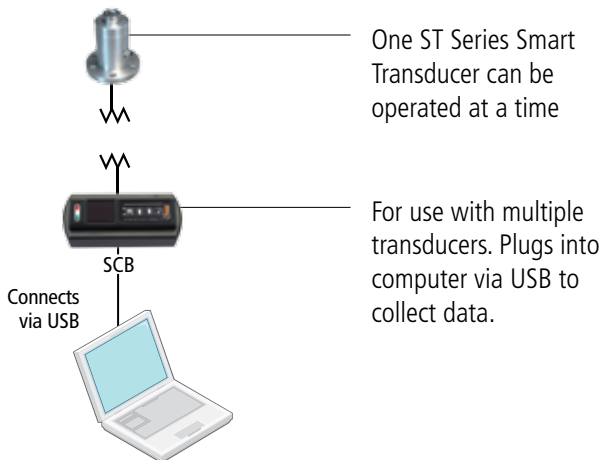


WCBR Smart Receiver Box
ASG #65197

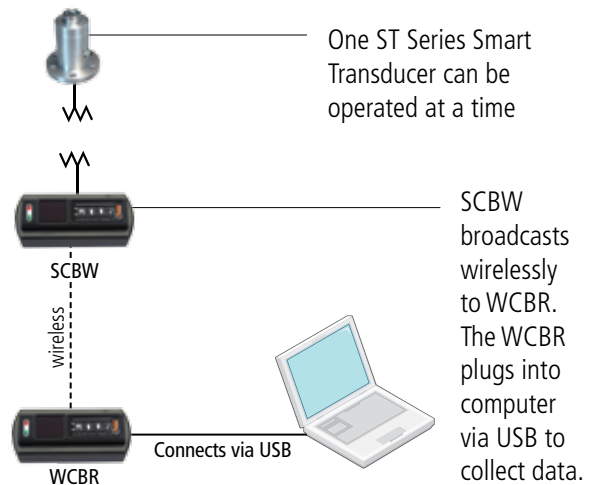
A single Smart Control Module can be used with each of the 22 Smart Transducers. Purchase as many Smart Transducers as required for use with one Smart Control Module (Direct Plug-In or Wireless). Contact ASG to discuss requirements for testing power tools.

Smart Control Module Configuration

SCB Direct Plug-In Smart Control Module Configuration



SCBW Wireless Smart Control Module and WCBR Smart Receiver Wireless Configuration



Torque Testers

ST Series Smart Transducers (Continued)

Model Number	ASG Number	Drive Size	Torque Range			
			lbf.in	cN.m	lbf.ft	N.m
ST0.5	65284	1/4" Square	0.44 - 4.42	5.0 - 50.0		
ST1.5	65285	1/4" Square	1.32 - 13.27	15.0 - 150.0		
ST002	65202	1/4" Square	1.77 - 17.7	20.0 - 200.0		
ST3.5	65286	1/4" Square	3.09 - 30.97	35.0 - 350.0		
ST005	65203	1/4" Square	4.42 - 44.25	50.0 - 500.0		
ST010	65287	1/4" Square			0.73 - 7.38	1.0 - 10.0
ST015	65288	1/4" Square			1.1 - 11.07	1.5 - 15.0
ST020	65204	1/4" Square			1.47 - 14.76	2.0 - 20.0
ST050	65265	3/8" Square			3.69 - 36.9	5.0 - 50.0
ST100	65289	3/8" Square			7.38 - 73.8	10.0 - 100.0
ST135	65290	3/8" Square			9.96 - 99.63	13.5 - 135.0
ST150	65291	1/2" Square			11.07 - 110.7	15.0 - 150.0
ST200	65292	1/2" Square			14.76 - 147.6	20.0 - 200.0
ST250	65206	1/2" Square			18.45 - 184.5	25.0 - 250.0
ST300	65293	1/2" Square			22.14 - 221.4	30.0 - 300.0
ST400	65207	1/2" Square			29.52 - 295.2	40.0 - 400.0
ST500	65294	3/4" Square			36.9 - 369	50.0 - 500.0
ST600	65295	3/4" Square			44.28 - 442.8	60.0 - 600.0
ST800	65296	3/4" Square			59.04 - 590.4	80.0 - 800.0
ST1000	65297	1" Square			73.8 - 738	100.0 - 1000.0
ST1500	65298	1" Square			110.7 - 1107	150.0 - 1500.0
ST2000	65299	1" Square			147.6 - 1476	200.0 - 2000.0

The rundown adapters for the ST Series Smart Transducers can be found on page 12.

Torque Testers

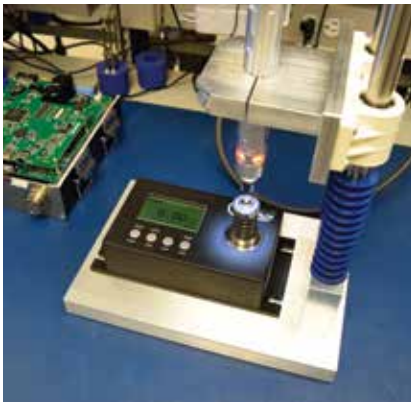
ST Series Smart Transducer Accessories

Rundown Adapters

Rundown adapters are configured to simulate a medium joint at the maximum rated torque; the belleville washers may need to be reoriented to produce different joint rates as desired.



ASG Number	Torque Range		Drive Size
	ozf.in	lbf.in	
65351	5.0 - 50.0		1/4" Square
65352	10.0 - 100.0		1/4" Square
65353	20.0 - 200.0		1/4" Square
65354		1.0 - 10.0	1/4" Square
65355		2.5 - 25.0	1/4" Square
65356		5.0 - 50.0	1/4" Square
65357		10.0 - 100.0	1/4" Square
65358		15.0 - 150.0	1/4" Square
65359		25.0 - 250.0	3/8" Square
65360		50.0 - 500.0	3/8" Square
65361		75.0 - 750.0	3/8" Square
65362		100.0 - 1000.0	3/8" Square



Torque Testers

HIOS HP Series

HIOS torque meters are premium quality torque testers with a long history of proven performance.



- **Torque Accuracy:** $\pm 0.5\%$ of full scale
- Calibration certificate traceable to N.I.S.T.
- Data output and analog output, data can be imported to a computer, contact ASG for additional information
- Reads clockwise and counterclockwise
- **3 Modes of Operation:** Track, Peak, and First Peak
- Maximum, minimum, and average of last 10 torque readings can be measured
- Up to 100 readings stored in memory
- **Multiple Functions:** Auto Reset, Manual Reset, Auto Send to Printer, Manual Send to Printer
- **Accessories Included:** Rundown adapter(s) (See page 15 for details), battery charger, and carrying case

Model Number	ASG Number	Torque Range		
		ozf.in	lbf.in	N.m
HP-10	64011	14.2 - 141.6	N/A	0.1 - 1.0
HP-10	64010	N/A	0.89 - 8.85	0.1 - 1.0
HP-100	64013	N/A	8.85 - 88.5	1.0 - 10.0

HIOS HDP Series Auditing Torque Testers

HIOS HDP Series Auditing Torque Testers are premium quality torque testers with proven reliability and are ideal for auditing the torque of previously tightened fasteners.



- **Torque Accuracy:** $\pm 0.5\%$ of full scale
- Calibration certificate traceable to N.I.S.T.
- Data output and analog output
- Reads clockwise and counterclockwise
- **3 Modes of Operation:** Track, Peak, and First Peak
- Maximum, minimum, and average of last 10 torque readings can be measured
- Up to 100 readings stored in memory
- **Multiple Functions:** Auto Reset, Manual Reset, Auto Send to Printer, Manual Send to Printer
- **Accessories Included:** Assorted bits, battery charger, and carrying case

Model Number	ASG Number	Torque Range	
		lbf.in	N.m
HDP-5	64004	0.44 - 4.43	0.05 - 0.5
HDP-50	64003	4.43 - 44.3	0.5 - 5.0

Torque Testers

HIOS HIT Series Torque Testers for Impact Tools

The HIOS series HIT torque testers have a separate transducer suitable for testing impact tools.



- Torque Accuracy: $\pm 0.5\%$ of full scale
- Calibration certificate traceable to N.I.S.T.
- Data output and analog output
- Reads clockwise and counterclockwise
- **3 Modes of Operation:** Track, Peak, and First Peak
- Maximum, minimum, and average of last 10 torque readings can be measured
- Up to 100 readings stored in memory
- **Multiple Functions:** Auto Reset, Manual Reset, Auto Send to Printer, Manual Send to Printer
- **Accessories Included:** Battery charger and carrying case

Model Number	ASG Number	Torque Range			Female Drive
		lbf.in	N.m	kgf.cm	
HIT-200	64030	15.9 - 159.3	1.8 - 18.0	18.4 - 183.5	3/8" Square
HIT-500	64031	44.2 - 442.5	5.0 - 50.0	51.0 - 510.0	1/2" Square
HIT-2000	64032	221.3 - 1593.0	25.0 - 180.0	254.9 - 1835.5	1/2" Square

HIOS HM Series

The HIOS HM series is designed for testing fixtured tools.



- Test screwdrivers used in auto feeders, robots or built into assembly machines
- Torque Accuracy: $\pm 0.5\%$ of full scale
- Calibration certificate traceable to N.I.S.T.
- Data output and analog output
- Data output for SPC
- Separate transducer
- Reads clockwise and counterclockwise
- **2 Modes of Operation:** Track and Peak
- Easy calibration of screwdriver without removing from machine
- **Accessories Included:** Rundown adapter(s) (See page 15 for details), battery charger, and carrying case

Model Number	ASG Number	Torque Range	
		lbf.in	N.m
HM-10	64033	0.89 - 8.85	0.1 - 1.0
HM-100	64034	8.85 - 88.5	1.0 - 10.0

Torque Testers

HIOS Torque Testers Accessories

Rundown Adapters

Below is a list of all HIOS rundown adapters ASG offers for the HIOS HP and HM Series Torque Testers.

ASG Number	Drive Size	Torque Range			Included with Models				For Use With
		lbf.in	cN.m	N.m	HP-10	HP-100	HM-10	HM-100	
64048	4 mm HIOS	0.25 - 2.0	2.8 - 22.6						HP-10
64049	1/4" Hex and 5 mm Hex	1.3 - 5.3	15.0 - 60.0	0.15 - 0.6					HP-10
64050	4 mm HIOS	1.3 - 5.3	15.0 - 60.0	0.15 - 0.6	X				HP-10
64047	1/4" Hex and 5 mm Hex	4.4 - 26.5		0.5 - 3.0		X			HP-10, HP-100
64052	1/4" Hex	26.5 - 79.6		3.0 - 9.0					HP-100
64054*	1/4" Hex	26.5 - 79.6		3.0 - 9.0					HP-100
64055	5 mm HIOS	4.4 - 26.5		0.5 - 1.0		X			HP-10, HP-100
64044	#1 Phillips	1.3 - 5.3	15.0 - 60.0	0.15 - 0.6			X		HM-10
64045	#2 Phillips	4.4 - 26.5		0.5 - 3.0				X	HM-100
64043	#0 Phillips	0.25 - 2.0	2.8 - 22.6						HM-10

* ASG #64054 must be used when testing the HIOS CL-9000 tools



ASG #64048



ASG #64049



ASG #64050



ASG #64047



ASG #64052



ASG #64054



ASG #64055



ASG #64044



ASG #64045



ASG #64043

Battery Chargers

ASG Number	Description	For Use With	Supplied with Product
64018	110-120 VDC 60 Hz — 7.2 V, 120 mA 110-120 VAC — US style wall plug	HIT and HM Series	Yes
64019	110-240 VDC 50 Hz — 7.3-8 V, 500 mA 110-120 VAC — US style wall plug	HP and HDP Series	Yes

Section 2: Tool Balancers and Positioners

Tool Positioners, Tool Spring Balancers, and Tapered Drum Balancers



ASG #64313

- Reduce operator fatigue
- Tools become weightless
- Smooth operation
- Two Types Available:
 - Tool positioner where the tool remains at whatever position it is released
 - Tool balancer where the tool is raised to the up position when released



ASG #64308



ASG #64021



ASG #SA-22015

ASG Number	Description	Weight Capacity		Cable Length	
		lb.	kg	ft.	m
64313	Tool Positioner	5.0	2.25	4.6	1.4
64308	Tool Spring Balancer	2.0 - 4.0	0.9 - 1.8	5.2	1.6
64309	Tool Spring Balancer	1.0 - 2.0	0.5 - 0.9	5.2	1.6
64021	Tool Spring Balancer	1.0 - 3.0	0.45 - 1.36	4.6	1.4
64022	Tool Spring Balancer	3.0 - 6.0	1.36 - 2.72	4.6	1.4
SA-2204A	Tool Spring Balancer	1.8 - 4.4	0.8 - 2.0	5.2	1.6
SA-22015	Tapered Drum Balancer	1.1 - 3.3	0.5 - 1.5	4.3	1.3
SA-22030	Tapered Drum Balancer	3.3 - 6.6	1.5 - 3.0	4.3	1.3
SA-22050	Tapered Drum Balancer	6.6 - 11.0	3.0 - 5.0	4.3	1.3
SA-22070	Tapered Drum Balancer	11.0 - 16.0	5.0 - 7.0	4.3	1.3
SA-22090	Tapered Drum Balancer	11.0 - 19.8	5.0 - 9.0	4.3	1.3
SA-2215	Tapered Drum Balancer	19.8 - 33.1	9.0 - 15.0	4.3	1.3

Section 3: Torque Arm and Tool Support Stands

Articulating Torque Arms



ASG #65058

- Easily mounts or clamps to bench-top (clamp optional)
- Maintains tool location while allowing easy movement
- Durable, lightweight
- Adjustable height
- Specialized tool mount couplings available, please see page 19 for additional information
- Helps reduce potential operator injury to arm, wrist or hand
- Optional heavy duty spring set available

ASG Number	Operation	Max. Torque Reaction		Max. Tool Weight		Forearm Backarm	Max. Reach	
		lbf.in	N.m	lb.	kg		in.	mm
65050*	Spring Assisted	100	11.3	5*	2.3*	12 x 12	27.5	698
65046*	Spring Assisted	100	11.3	5*	2.3*	12 x 6	21.75	552
65054*	Spring Assisted	100	11.3	5*	2.3*	12 x 18	33.75	857
65056	Spring Assisted	100	11.3	5*	2.3*	18 x 18	39.75	1010
65060	Pneumatically Assisted	150	16.9	10	4.5	12 x 6	21.75	552
65058	Pneumatically Assisted	150	16.9	10	4.5	12 x 12	27.75	698
65062	Pneumatically Assisted	150	16.9	10	4.5	12 x 18	33.75	857

* Optional heavy duty springs available for up to 10lb (4.5 kg) tool weight, ASG #65048

Linear Torque Arms



ASG #65010

- Easily mounts or clamps to bench-top (clamp optional)
- Maintains tool location while allowing easy movement
- Durable, lightweight
- Adjustable height
- Specialized tool mount couplings available, please see page 19 for additional information
- Reduces potential operator injury to arm, wrist or hand

Model Number	ASG Number	Max. Torque Reaction			Max. Tool Weight		Max. Reach	
		lbf.in	N.m	kgf.cm	lb.	kg	in.	mm
N/A	65010	150	17	170	5	2.25	26.75	679
N/A	65013	150	17	170	1.5	0.7	19.5	495
LTA20	66203	177	20	204	6.6	3.0	26.22	666
LTA40	66204	354	40	408	6.6	3.0	26.22	666
LTA100	66205	885	100	1020	6.6	3.0	26.22	666

Torque Arm and Tool Support Stands



Adjustable Tool Support Stands

- Made of tempered anodized aluminum tubing
- Fittings are engineered plastic with 20% glass reinforced polycarbonate
- Rust-proof, chip-proof finish (no paint used)
- Keep cords out of operator's way
- Optional clamp available (ASG #65045) for clamping to bench top
- Both models pictured

ASG Number	Description	Height		Arm Length		Max. Capacity		Rotation
		in.	m	in.	m	lb.	kg	
65003	Tool Support Stand	Up to 36.0	Up to 0.9	Up to 24.0	Up to 0.6	15.0	6.8	360°
65006	Tool Support Stand	41.0 - 70.0	1.0 - 1.8	Up to 30.0	Up to 0.8	15.0	6.8	360°



Tool Support Stands

- Simple steel tube stand
- Easy to use
- Includes mounting base
- Both models pictured

ASG Number	Description	Height		Arm Length		Max. Capacity		Rotation
		in.	m	in.	m	lb.	kg	
64312	Short Support Stand	38.0	0.97	10.0	0.25	5.0	2.3	Fixed
64315	Long Support Stand	38.0	0.97	18.0	0.46	5.0	2.3	Fixed



ASG #65071

Swing and Fixed Boom Arms

- Fixed or 180° swing booms
- Bolts to bench top (mounting fasteners not included)
- Each boom includes 4 wheel balancer trolley and mounting base

ASG Number	Description	Height		Arm Length		Max. Capacity		Rotation
		in.	m	in.	m	lb.	kg	
65070	Swing Boom Arm	48.0	1.2	36.0	0.91	30	13.6	180°
65071	Swing Boom Arm	60.0	1.5	36.0	0.91	30	13.6	180°
65072	Fixed Boom Arm	48.0	1.2	36.0	0.91	30	13.6	Fixed
65073	Fixed Boom Arm	60.0	1.5	36.0	0.91	30	13.6	Fixed

Torque Arm and Tool Support Stands

Accessories



ASG #65043



ASG #65042

ASG Number	Description	For Use With
65042	Tool Mount Coupling	Lever Start A, CL, SS, BL-3000 and BL-5000
65043	Tool Mount Coupling	VZ Seires
65047	Tool Mount Coupling	BL-7000
65049	Tool Mount Coupling	Pneumatic Drivers
65052	Torque Arm Bench Clamp	All Standard Torque Arms
65045	Tool Support Stand Bench Clamp	ASG #65003, #65006
65048	Torque Arm Heavy Duty Spring Set	ASG #65050, 65046, and 65054 Max Tool Weight: 10 lb., 4.5 kg

Section 4: Tape and Label Dispensers

LDX-130 Label Dispenser



ASG #66147

- Compact and versatile label dispenser
- Increases productivity by automatically dispensing labels while removing and discarding backing material
- Designed for industrial or commercial use, high performance, durability, and affordable quality
- 10 feeding speed settings, easy to program
- LED counter tracks the number of labels dispensed
- 120V (ASG #66147) and 220V (ASG #66149) models available

ASG Number	66147	
Size	6.5 x 6.8 x 11 in.	165 x 173 x 279 mm
Length of Label	0.169 to 31.5 in.	5 to 800 mm
Width of Backing Paper	0.169 to 5.1 in.	5 to 130 mm
Feeding Speed	10 settings up to 5.1 in/s (130mm/sec)	
Max. Diameter of Outside Roll	9.8 in.	250 mm
Weight	9.04 lbs	4.1 kg
Electrical Requirements	120VAC, 50/60 Hz	

EZ-870 Carousel Tape Dispenser



ASG #66134

- Easily adjustable tape length and spacing
- Cuts tape and places it on carousel at the push of a button
- Bobbin-free design
- Accepts many types of tape, including filament, polyimide, acetate cloth, glass cloth, double-sided, plastic, aluminum foil, cellophane, masking, Nomex®, copper, cloth, polyethylene, PTFE, paper, craft, OPP, polyimide (Kapton®) and more
- Can accommodate 1 roll of tape
- 120V (ASG #66134) and 220V (ASG #66144) models available

ASG Number	66134	
Accuracy of Cut	± 0.08 in.	± 2 mm
Size	4.96 x 5.91 x 10.16 in.	126 x 150 x 258 mm
Tape Width	0.1118 to 0.984 in.	3 to 25 mm
Cut Length	0.59 to 2.76 in.	15 to 70 mm
Max. Diameter of Outside Roll	5.91 in.	150 mm
Weight	4.2 lbs	1.9 kg
Auto Feed	Yes	
Double Sided	No	
Electrical Requirements	120VAC 50/60 Hz	

Tape and Label Dispensers

TD-100 Compact Tape Dispenser



ASG #66141

- Compact and versatile dispenser
- Pre-set cut tape length to a precise length
- Tape support to position a cut piece of tape
- Memory function can program 6 different lengths
- Can accommodate 1 or 2 rolls of tape
- Cut length of 0.169 to 39 in. (5 to 999 mm)
- Designed for industrial or commercial use
- Anti-static ABS body makes this model ideal for delicate assembly situations that include electronic sensitivity
- Choose from two dispensing modes:
 - **Pre-set:** allows cutting of pre-selected number of pieces; machine stops and alarm sounds when complete
 - **Loop:** allows continuous cutting and dispensing of material
- Cuts a large variety of adhesive and non-adhesive materials
- Usable Tape and Non-Adhesive Materials include but not limited to: Filament, Acetate Cloth, Glass Cloth, Nomex®, Prestick, Cellophane, Craft, Masking, Plastic, Protection Film, Paper Tape, Insulation Film, Aluminum Foil, Copper Foil, and more
- Excellent safety function and design
- LED counter tracks the number of cuts
- RP Model (ASG #66143) available - removes paper backing from tape

ASG Number	66141	
Size	8.5 x 4.5 x 5.5 in.	216 x 114 x 140 mm
Tape Width	0.236 to 2.36 in.	6 to 60 mm
Cut Length	0.169 to 39 in.	5 to 999 mm
Max. Diameter of Outside Roll	11.81 in.	300 mm
Weight	5.5 lbs	2.5 kg
Auto Feed	Yes	
Double Sided	No	
ESD Safe	Yes	
Electrical Requirements	120 VAC	

Tape and Label Dispensers

EZ-9000 GR Tape Dispenser



ASG #66136

- Modular blade and roller unit allows for easy on-site maintenance
- Up to six different cut lengths can be programmed to cut by selection or in sequence
- Dual photo sensors allow two rolls of tape to be cut at same time
- Tape support to position a cut piece of tape
- Pre-set and loop counter
- No bobbin needed
- Uses a range of tape thickness, from 0.002 to 0.012 in. (0.05 to 0.3 mm)
- Usable tapes include but are not limited to: Craft, PP, Vinyl, Filament, Glass Cloth, Double-Sided, Strapping, Protective Film, Aluminum Foil, and non-adhesive tapes
- Has a feeding speed of 8.7in./sec. (220mm/sec.)
- **Accessories Included:** Separator, Blade Oil, Guide Plate, Tweezers, Power Cord
- Anti-Static ABS body material
- RP Model (ASG #66161) removes paper backing from tape available
- Arm mount kit available, please see page 24 for additional information



ASG #66161
(RP)

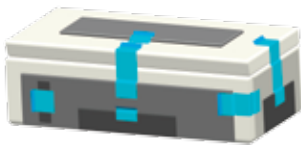
ASG Number	66136 (EZ-9000GR)	
Size	4.57 x 5.5 x 8.4 in.	116 x 140 x 213 mm
Tape Width	0.24 to 2.36 in.	6 to 60 mm
Cut Length	0.2 to 39 in.	5 to 999 mm
Max. Diameter of Outside Roll	11.81 in.	300 mm
Weight	3.5 lbs	1.6 kg
Auto Feed	Yes	
Double Sided	Yes	
ESD Safe	No	
Electrical Requirements	100V-240V 50/60 Hz	
RP Model Dimensions	4.57 x 11.9 x 12.6 in.	116 x 302 x 320 mm
RP Model Weight	7.3 lbs	3.3 kg
RP Model Internal Diameter of Tape Roll	3.0 in.	75 mm
Electrical Requirements	120-240 VAC 50/60 Hz	

Tape and Label Dispensers

EZ-10K Auto Tape Dispenser



ASG #66148



Example of edge folding feature

- Tape dispenser with edge folding function
- **Memory function:** six different lengths can be retained
- **Programming function:** six different lengths can be programmed to cut
- Dual photo sensors allow two rolls of tape to be cut at same time
- Tape support to position a cut piece of tape
- No bobbin needed
- **Accessories Included:** Separator, Blade Oil, Guide Plate, Power Cord
- Uses a range of tape thickness from 0.002 to 0.012 in. (0.05 - 0.3 mm)
- Usable tapes include but are not limited to: Craft, PP, Vinyl, Filament, Glass, Cloth, Double-sided, Strapping, Protective Film, Aluminum foil, and non-adhesive tapes
- Has a feeding speed of 8.7in/sec. (220mm/sec.)
- Anti-static ABS body material
- RP Model (ASG #66148-RP) removes paper backing from tape
- Arm mount kit available, please see page 24 for additional information

ASG Number	66148 (EZ-10K)	
Size	4.57 x 5.83 x 8.78 in.	116 x 148 x 222
Tape Width	0.24 to 2.36 in.	6 to 60 mm
Cut Length*	0.2 to 39 in.*	5 to 999 mm*
Folding Length	0.3 in.	7 mm
Max. Diameter of Outside Roll	11.81 in.	300 mm
Weight	4 lbs	1.83 kg
Auto Feed	Yes	
Double Sided	Yes	
ESD Safe	No	
Electrical Requirements	120-240 VAC 50/60 Hz	
RP Model Dimensions	4.57 x 11.9 x 12.6 in.	116 x 302 x 320 mm
RP Model Weight	7.3 lbs	3.3 kg
RP Model Internal Diameter of Tape Roll	3.0 in.	75 mm
Electrical Requirements	120-240 VAC 50/60 Hz	

* The cut length with the edge folding feature is 15-999mm (0.6in-39in)

Tape and Label Dispensers

Arm Mount Kit for EZ-9000GR and EZ-10K



ASG #66138

- Features 3-point telescoping motion
- Easily position your tape dispenser for the ideal angle and distance
- Reach: Extends tape dispenser up to 22 in. (56cm)
- 9.5 in. (24 cm) variable height adjustment allows arm installation at different heights
- 7 - 20 lb. weight capacity
- Mounting options: desk clamp attaches to surface edge 0.5 to 1.875 in. (13 to 48 mm) thick; grommet mount attaches through surface holes 0.3 to 2 in. (8 to 51mm) wide and up to 2.5 in. (63 mm) thick
- Durable, easy-to-clean exterior composed of aluminum, high grade plastic and powder coated painted steel

EZ-6000 and EZ-6000RP Standard Tape Dispensers



ASG #66121

- Cuts lengths from 1.6 to 39 in. (40 to 999 mm) in 0.03 in. (1 mm) increments
- Eliminates wasted tape
- Can accommodate 1 roll of tape
- Manual or automatic dispensing. Manual dispensing presents the next piece of tape at the easy push of a button, automatic dispensing presents the next piece of tape automatically
- 220V available, contact ASG for additional information
- RP Model (ASG #66133) includes the EZ-6000, bracket and bobbin – removes paper backing from tape



ASG #66133
(RP)

ASG Number	66121 (EZ-6000) 66133 (EZ-6000RP)	
Accuracy of Cut	± 0.125 in.	± 3.2 mm
Size	5.7 x 11.4 x 9.3 in.	144 x 289 x 237 mm
Tape Width	0.6 to 3.15 in.	15 to 80 mm
Cut Length	1.6 to 39 in.	40 to 999 mm
Max. Diameter of Outside Roll	5.9 in.	150 mm
Weight	20.3 lbs	9.2 kg
Auto Feed	Yes	
Double Sided	No	
ESD Safe	No	
Core Diameter of Tape Roll	3 in.	75 mm
Electrical Requirements	120V 50/60 Hz	

Tape and Label Dispensers

EZ-3000, EZ-3000K, EZ-3080, EZ-3150, EZ-3250 Extra Heavy Duty/Wide Tape Dispensers



ASG #66104

- Available for vinyl, masking, cellophane, polyethylene, paper, cotton cloth, mylars, Kapton®, anti-static, polyimide, glass cloth, aluminum foil, double sided, PTFE Nomex®, glass filament and others
- Variable dispensing intervals
- Fully enclosed metal cabinet
- Modification required for double sided tape
- 220V available, contact ASG for additional information
- Manual or automatic dispensing. Manual dispensing presents the next piece of tape at the easy push of a button, automatic dispensing presents the next piece of tape automatically
- Can accommodate 1 roll of tape

ASG Number	ASG # 66102 (EZ-3000)	ASG #66115 (EZ-3000K)
Accuracy of Cut	±0.06 in.	±1.5 mm
Size	7.5 x 9.7 x 11.7 in.	191 x 247 x 298 mm
Tape Width	0.59 to 2.37 in.	15 to 60 mm
Cut Length	1.98 to 39 in.	40 to 999 mm
Max. Diameter of Outside Roll	7.91 in.	200 mm
Weight	25.3 lbs	11.5 kg
Auto Feed	Yes	
Core Diameter of Tape Roll	3 in.	75 mm
Electrical Requirements	120V 50/60 Hz	

ASG Number	ASG # 66104 (EZ-3080)	
Accuracy of Cut	±0.06 in.	±1.5 mm
Size	7.5 x 9.7 x 11.7 in.	191 x 247 x 298 mm
Tape Width	0.59 to 3.15 in.	15 to 80 mm
Cut Length	1.98 to 39 in.	40 to 999 mm
Max. Diameter of Outside Roll	5.12 in.	130 mm
Weight	26.5 lbs	12 kg
Auto Feed	Yes	
Core Diameter of Tape Roll	3 in.	75 mm
Electrical Requirements	120V 50/60 Hz	

Tape and Label Dispensers

EZ-3000, EZ-3000K, EZ-3080, EZ-3150, EZ-3250 Extra Heavy Duty/ Wide Tape Dispensers (Continued)

ASG Number	ASG # 66106 (EZ-3150)	
Accuracy of Cut	±0.06 in.	±1.5 mm
Size	13 x 9.7 x 11.7 in.	332 x 247 x 298 mm
Tape Width	0.59 to 5.9 in.	15 to 150 mm
Cut Length	1.98 to 393 in.	40 to 9999 mm
Max. Diameter of Outside Roll	7.9 in.	200 mm
Weight	39.6 lbs	18 kg
Auto Feed	Yes	
Core Diameter of Tape Roll	3 in.	75 mm
Electrical Requirements	120V 50/60 Hz	

ASG Number	ASG # 66108 (EZ-3250)	
Accuracy of Cut	±0.06 in.	±1.5 mm
Size	16.9 x 9.7 x 11.7 in.	430 x 247 x 298 mm
Tape Width	0.59 to 9.8 in.	15 to 250 mm
Cut Length	1.98 to 393 in.	40 to 9999 mm
Max. Diameter of Outside Roll	7.9 in.	200 mm
Weight	47.4 lbs	21.5 kg
Auto Feed	Yes	
Core Diameter of Tape Roll	3 in.	75 mm
Electrical Requirements	120V 50/60 Hz	

Section 5: Screw Presenters and Accessories

OM Series Manual and Robotic Screw Presenters



ASG #67456

- Accommodates wide variety of screw sizes by plugging in interchangeable rails
- Large storage capacity
- Screw scooping chamber holds up to 300cc
- Fast screw delivery
- Radial indexing escaper function loads 3 screws in a row for fast and continuous feeding
- Motor overload stop function for reverse power protection
- Screw sizes from M2 to M6
- Only for use with ferrous screws up to 25 mm (0.98 in.) long
- Each model supplied with appropriate rail assembly for its rated screw size. See **Rail # Supplied With Presenter** column in charts below for rail replacement or to change rail to a different capacity
- Dimensions: 4.7 x 8.9 x 6.0 in. (119 x 226 x 152 mm)
- Power adapter: AC 100-240V Input to DC 15 Volt 1 Amp Output

OM Series Manual Screw Presenters

Model Number	ASG Number	Screw Diameter		Max. Screw Length		Rail # Supplied With Presenter
		in.	mm	in.	mm	
OM2620M	67450	Up to 0.08	Up to 2.0	0.98	25	67470
OM2623M	67451	0.08 - 0.09	2.0 - 2.3	0.98	25	67483
OM2626M	67452	0.09 - 0.10	2.3 - 2.6	0.98	25	67472
OM2630M	67453	0.10 - 0.12	2.6 - 3.0	0.98	25	67468
OM2635M	67454	0.12 - 0.14	3.0 - 3.5	0.98	25	67474
OM2640M	67455	0.14 - 0.16	3.5 - 4.0	0.98	25	67476
OM2650M	67456	0.16 - 0.20	4.0 - 5.0	0.98	25	67478
OM2660M	67457	0.20 - 0.24	5.0 - 6.0	0.98	25	67480

OM Series Robotic Screw Presenters

Model Number	ASG Number	Screw Diameter		Max. Screw Length		Rail # Supplied With Presenter
		in.	mm	in.	mm	
OM2620R	67460	Up to 0.08	Up to 2.0	0.98	25	67471
OM2623R	67461	0.08 - 0.09	2.0 - 2.3	0.98	25	67484
OM2626R	67462	0.09 - 0.10	2.3 - 2.6	0.98	25	67473
OM2630R	67463	0.10 - 0.12	2.6 - 3.0	0.98	25	67469
OM2635R	67464	0.12 - 0.14	3.0 - 3.5	0.98	25	67475
OM2640R	67465	0.14 - 0.16	3.5 - 4.0	0.98	25	67477
OM2650R	67466	0.16 - 0.20	4.0 - 5.0	0.98	25	67479
OM2660R	67467	0.20 - 0.24	5.0 - 6.0	0.98	25	67481

Screw Presenters and Accessories

NSB and NSR Series Screw Presenters



ASG #67241

- Accommodates wide variety of screw sizes by plugging in interchangeable rails
- 80cc screw hopper
- Flat, horizontal rail design eliminates screw jams
- Handles #000 to #4 screws; up to 20mm (0.78 in.) long
- Each model supplied with appropriate rail assembly for its rated screw size. See **Rail # Supplied With Presenter** column in charts below for rail replacement or to change rail to a different capacity
- **Dimensions:** 7.1 x 5.7 x 4.8 in. (181 x 145 x 123 mm); **Weight:** 7.0 lbs (3.18 kg)
- 220V available, contact ASG for additional information

NSB Series (Manual Pick-Up) Screw Presenters

Model Number	ASG Number	Nominal Screw Size		Screw Diameter Range		Max. Screw Length		Rail # Supplied With Presenter
				in.	mm	in.	mm	
NSB-10	67240	#000	1.0 mm	Up to 0.039	Up to 1.0	0.7874	20	67320
NSB-12	67241	#00	1.2 mm	0.039 - 0.047	1.0 - 1.2	0.7874	20	67321
NSB-14	67242	#0	1.4 mm	0.047 - 0.055	1.2 - 1.4	0.7874	20	67322
NSB-17	67243	N/A	1.7 mm	0.055 - 0.067	1.4 - 1.7	0.7874	20	67323
NSB-20	67244	#1	2.0 mm	0.067 - 0.079	1.7 - 2.0	0.7874	20	67324
NSB-23	67245	#2	2.3 mm	0.079 - 0.090	2.0 - 2.3	0.7874	20	67325
NSB-26	67246	#3	2.6 mm	0.090 - 0.102	2.3 - 2.6	0.7874	20	67326
NSB-30	67247	#4	3.0 mm	0.102 - 0.118	2.6 - 3.0	0.7874	20	67327

NSR Series (Robotic Pick-Up) Screw Presenters

Model Number	ASG Number	Nominal Screw Size		Screw Diameter Range		Max. Screw Length		Rail # Supplied With Presenter
				in.	mm	in.	mm	
NSR-10	67290	#000	1.0 mm	Up to 0.039	Up to 1.0	0.7874	20	67350
NSR-12	67291	#00	1.2 mm	0.039 - 0.047	1.0 - 1.2	0.7874	20	67351
NSR-14	67292	#0	1.4 mm	0.047 - 0.055	1.2 - 1.4	0.7874	20	67352
NSR-17	67293	N/A	1.7 mm	0.055 - 0.067	1.4 - 1.7	0.7874	20	67353
NSR-20	67294	#1	2.0 mm	0.067 - 0.079	1.7 - 2.0	0.7874	20	67354
NSR-23	67295	#2	2.3 mm	0.079 - 0.090	2.0 - 2.3	0.7874	20	67355
NSR-26	67296	#3	2.6 mm	0.090 - 0.102	2.3 - 2.6	0.7874	20	67356
NSR-30	67297	#4	3.0 mm	0.102 - 0.118	2.6 - 3.0	0.7874	20	67357

Screw Presenters and Accessories

NSBI and NSRI Series Screw Presenters



- Accommodates wide variety of screw sizes by plugging in interchangeable rails
- Rotary screw pick-up escapement
- Pick-up rate of up to two screws per second
- 80cc screw hopper
- Flat, horizontal rail design eliminates screw jams
- Handles #000 to #4 screws; up to 20mm (0.78in) screws
- Each model supplied with appropriate rail assembly for its rated screw size. See Rail # Supplied With Presenter column in charts below for rail replacement or to change rail to a different capacity
- Dimensions: 7.1 x 5.7 x 4.8 in. (181 x 145 x 123 mm); Weight: 7.0 lb (3.18 kg)
- 220V available, contact ASG for additional information

NSBI Series (Manual Pick-Up) Screw Presenters

Model Number	ASG Number	Nominal Screw Size		Screw Diameter Range		Max. Screw Length		Rail # Supplied With Presenter
				in.	mm	in.	mm	
NSBI-10	67359	#000	1.0 mm	Up to 0.039	Up to 1.0	0.7874	20	67387
NSBI-12	67360	#00	1.2 mm	0.039 - 0.047	1.0 - 1.2	0.7874	20	67388
NSBI-14	67361	#0	1.4 mm	0.047 - 0.055	1.2 - 1.4	0.7874	20	67389
NSBI-17	67362	N/A	1.7 mm	0.055 - 0.067	1.4 - 1.7	0.7874	20	68390
NSBI-20	67363	#1	2.0 mm	0.067 - 0.079	1.7 - 2.0	0.7874	20	67391
NSBI-23	67364	#2	2.3 mm	0.079 - 0.090	2.0 - 2.3	0.7874	20	67392
NSBI-26	67365	#3	2.6 mm	0.090 - 0.102	2.3 - 2.6	0.7874	20	67393
NSBI-30	67366	#4	3.0 mm	0.102 - 0.118	2.6 - 3.0	0.7874	20	67394

NSRI Series (Robotic Pick-Up) Screw Presenters

Model Number	ASG Number	Nominal Screw Size		Screw Diameter Range		Max. Screw Length		Rail # Supplied With Presenter
				in.	mm	in.	mm	
NSRI-10	67439	#000	1.0 mm	Up to 0.039	Up to 1.0	0.7874	20	67379
NSRI-12	67440	#00	1.2 mm	0.039 - 0.047	1.0 - 1.2	0.7874	20	67380
NSRI-14	67441	#0	1.4 mm	0.047 - 0.055	1.2 - 1.4	0.7874	20	67381
NSRI-17	67442	N/A	1.7 mm	0.055 - 0.067	1.4 - 1.7	0.7874	20	67382
NSRI-20	67443	#1	2.0 mm	0.067 - 0.079	1.7 - 2.0	0.7874	20	67383
NSRI-23	67444	#2	2.3 mm	0.079 - 0.090	2.0 - 2.3	0.7874	20	67384
NSRI-26	67445	#3	2.6 mm	0.090 - 0.102	2.3 - 2.6	0.7874	20	67385
NSRI-30	67446	#4	3.0 mm	0.102 - 0.118	2.6 - 3.0	0.7874	20	67386

Screw Presenters and Accessories

NJ, NJ-F, NJL, and NJR Series Screw Presenters



ASG #67212

- Accommodates wide variety of screw sizes by plugging in interchangeable rails
- 150cc hopper
- Flat, horizontal rail design eliminates screw jams
- Handles #6 to #10 screws, up to 18mm (0.71 in.) long
- Each model supplied with appropriate rail assembly for its rated screw size. See **Rail # Supplied With Presenter** column in charts below for rail replacement or to change rail to a different capacity
- NJ and NJL Dimensions: 8.5 x 5.4 x 5.1 in. (215 x 136 x 130 mm)
- NJR Dimensions: 10.8 x 5.4 x 5.2 in. (274 x 156 x 134 mm)
- 220V available, contact ASG for additional information

NJ Series (Manual Pick-Up) Screw Presenters

Model Number	ASG Number	Nominal Screw Size		Screw Diameter Range		Max. Screw Length		Rail # Supplied With Presenter
				in.	mm	in.	mm	
NJ-4535	67212	#6	3.5 mm	0.12 - 0.14	3.0 - 3.5	0.7874	18	67312
NJ-4540	67214	#6 and #8	4.0 mm	0.14 - 0.16	3.5 - 4.0	0.7874	18	67314
NJ-4550	67216	#10	5.0 mm	0.16 - 0.20	4.0 - 5.0	0.7874	18	67316

NJ-F Series (Manual Pick-Up) Screw Presenters with Rails for Flat Head Screws

Model Number	ASG Number	Nominal Screw Size		Screw Diameter Range		Max. Screw Length		Rail # Supplied With Presenter
				in.	mm	in.	mm	
NJ-4535 F	67264	#6	3.5 mm	0.12 - 0.14	3.0 - 3.5	0.7874	20	67312
NJ-4540 F	67266	#6 and #8	4.0 mm	0.14 - 0.16	3.5 - 4.0	0.7874	20	67314
NJ-4550-F	67268	#10	5.0 mm	0.16 - 0.20	4.0 - 5.0	0.7874	20	67316

NJL Series (Manual Pick-Up) Screw Presenters

Model Number	ASG Number	Nominal Screw Size		Screw Diameter Range		Max. Screw Length		Rail # Supplied With Presenter
				in.	mm	in.	mm	
NJL-4535	67408	#6	3.5 mm	0.12 - 0.14	3.0 - 3.5	0.98	25	67344
NJL-4540	67410	#6 and #8	4.0 mm	0.14 - 0.16	3.5 - 4.0	0.98	25	67345
NJL-4550	67412	#10	5.0 mm	0.16 - 0.20	4.0 - 5.0	0.98	25	67346

Screw Presenters and Accessories

NJR Series (Robotic Pick-Up) Screw Presenters

Model Number	ASG Number	Nominal Screw Size		Screw Diameter Range		Max. Screw Length		Rail # Supplied with Presenter
				in.	mm	in.	mm	
NJR-4535	67282	#6	3.5 mm	0.12 - 0.14	3.0 - 3.5	0.7874	18	726832
NJR-4540	67284	#6 and #8	4.0 mm	0.14 - 0.16	3.5 - 4.0	0.7874	18	726834
NJR-4550	67286	#10	5.0 mm	0.16 - 0.20	4.0 - 5.0	0.7874	18	726836

ASP-81A



ASG #67434

- No rail changes necessary; adjusts to accommodate screw size
- Single feeder will feed screws from sizes #000 to #10, up to 5 mm (0.196in.)
- Easy adjustment of vibration time, amplitude and operation shut off delay
- Smooth vacuum pick-up operation
- Adjustable sweeping brush and bit guide allows use of standard diameter bits
- Bi-directional brush rotation provides fast removal of screws jams
- **Accessories Included:** AC adapter, adjusting tool, additional stopper and shims conveniently held in lid

ASG Number	67434
Applicable Screw Length	19mm (0.748 in.) under the head
Electrical Requirements	100 to 240VAC Input

Screw Presenter Accessories

ASG Number	Description
65232	Adjusting Tool
65230	Bit Magnetizer
65235	Bit Magnetizer Ring
67318	Cover Plate (NJ Series)
65236	ASP-81A Adjusting Wrench
67420	ASP-81A AC Adapter
68423	ASP-81A Stopper (2.0 - 5.0 mm)
67422	ASP-81A Stopper (1.0 - 2.0 mm)
67421	ASP-81A Shim Set



Our footprint covers the globe!

Global Support

ASG employs a team of technical experts to provide support, repair, calibration and preventative maintenance services. We welcome the opportunity to provide assistance by telephone or online chat Monday through Friday, 8 a.m. to 5 p.m. (U.S. Eastern Time) excluding holidays.

ASG maintains subsidiaries in Shanghai, China and Mumbai, India, and sales offices in Mexico and Europe to provide direct support to our international customers. We work together with our global Field Sales Representative and Distributor Network to help customers standardize their assembly equipment and processes around the world.

Distributor:



Products and Solutions for Assembly

November 2018

ASG USA Headquarters
 Jergens Way, 15700 S. Waterloo Road
 Cleveland, OH 44110-3898 USA
 Phone: (216) 486-6163
 Toll-free USA: (888) 486-6163
 Fax: (216) 481-4519
 Email: asginfo@asg-jergens.com

ASG China Subsidiary
 Unit 301 Level 3, Block A
 A-REIT City at Jinqiao, 200 Jinsu Road,
 Shanghai, Pudong 201206 CHINA
 Phone: +86 21 58209175
 Fax: +86 21 58353696
 Email: rafael.qi@asg-jergens.com

ASG India Subsidiary
 B-607, Mahaavir Icon,
 Plot No. 89, Sector 15, C.B.D. Belapur
 Navi Mumbai-400 614, Maharastra INDIA
 Phone: +91 22 27572998
 Mobile: +91 98 334 04986
 Email: jpk@asg-jergens.com