

Section 3: HIOS® BLF Series



BLF Model



BLFQ Model



BLFR Model

BLF Brushless Screwdrivers for Automated Assembly Machines

- Simple structure provides high durability and easy maintenance
- Tools offer accurate torque to uniform fastening quality
- BLF-Q: Vacuum pick-up, attachment can pick up non-ferrous screws such as stainless steel screws. It can also be used to remove powder dust generated from screw tightening
- BLF-R: Deep hole fastening attachment. Vacuum pick-up, ideal for accessing fasteners in recessed locations

Model Number	Torque Range		Speed		Drive Size
	lbf.in	N.m	LOW (20V)	HI (30V)	
BLF-2000, BLFQ-2000	0.26 - 3.0	0.03 - 0.35	120 - 345	690 - 975	HIOS H4
BLF-5000, BLFQ-5000, BLFR-5000	2.6 - 8.8	0.3 - 1.0	115 - 320	660 - 940	HIOS H5 and 5Hex
BLF-7000, BLFQ-7000	6.0 - 17.0	0.7 - 2.0	150 - 450	495 - 735	HIOS H5
BLF-7000X, BLFR-7000X	6.0 - 17.0	0.7 - 2.0	150 - 450	495 - 735	1/4" Hex
BLF-7025X, BLFR-7025X	9.0 - 22	1 - 2.5	120 - 350	400 - 600	1/4" Hex

BLF Compatible Power Supplies

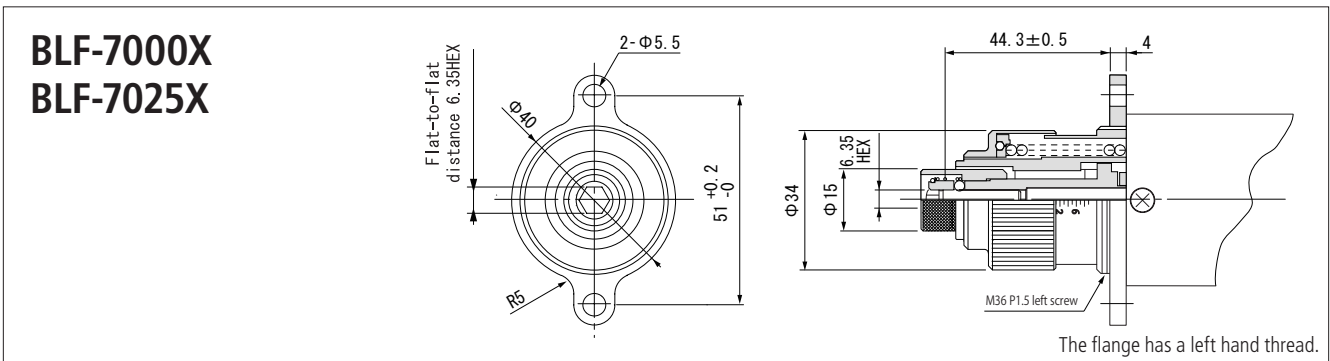
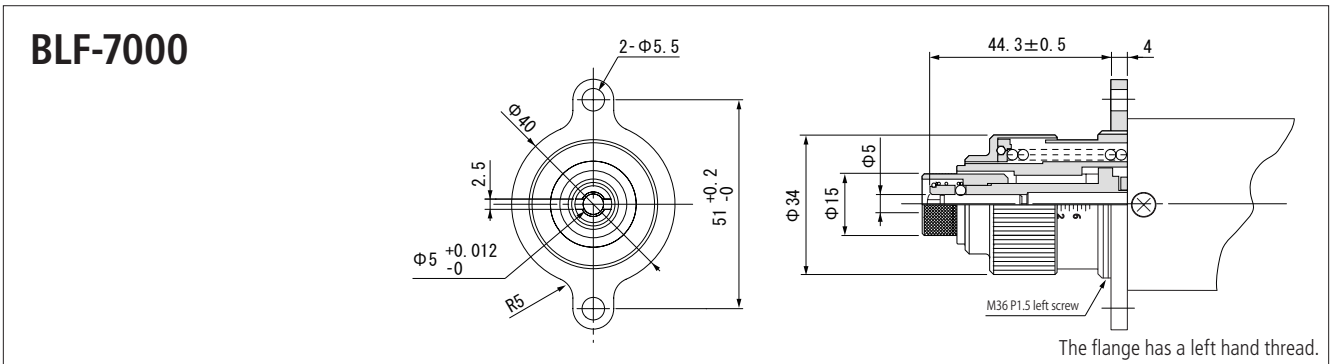
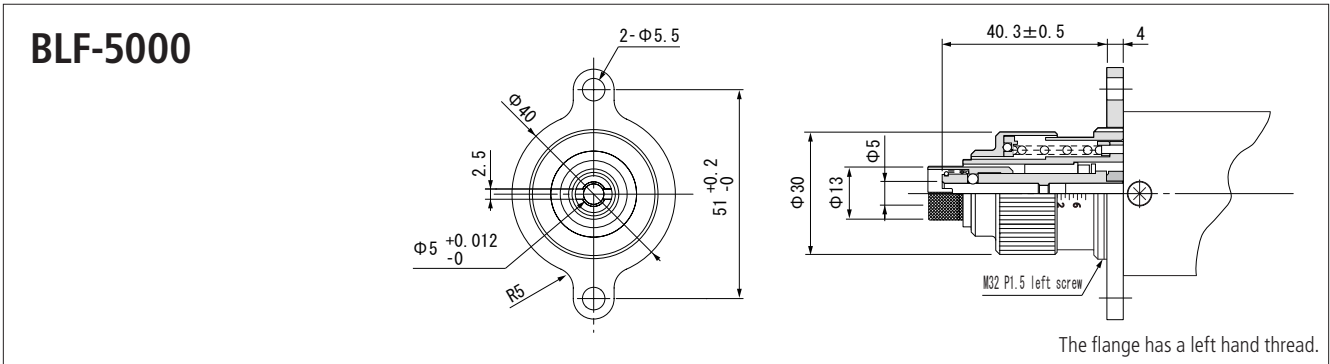
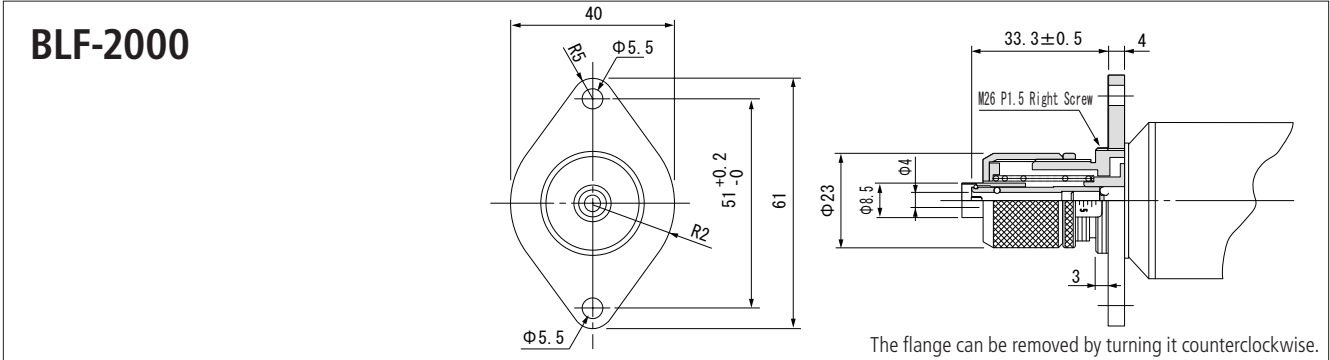
- 2WS (2 speed) and REV (Reversing) capabilities as standard
- Can be connected to external controls, such as a PLC, to control the direction and speed of the driver.
- BLT-AY-61: Compatible with BLF-2000, BLF-5000
- BLT-AY-71: Compatible with BLF-7000, BLF-7000X, BLF-7025X

Model Number	BLT-AY-61, BLT-AY-71
Primary Input	AC100-240 V, 47-63 Hz
Secondary Output	LOW: 5V-15V, HI: 20V-30V (11 step switchable)
Dimensions (WxDxH)	202 x 143 x 87 mm (8.0 x 5.6 x 3.4 in.)
Weight	1.75 kg (3.85 lb)
Accessories	(1) Power Supply Cord with Ground Wire, (1) Terminal Block Connector



HIOS® BLF Series

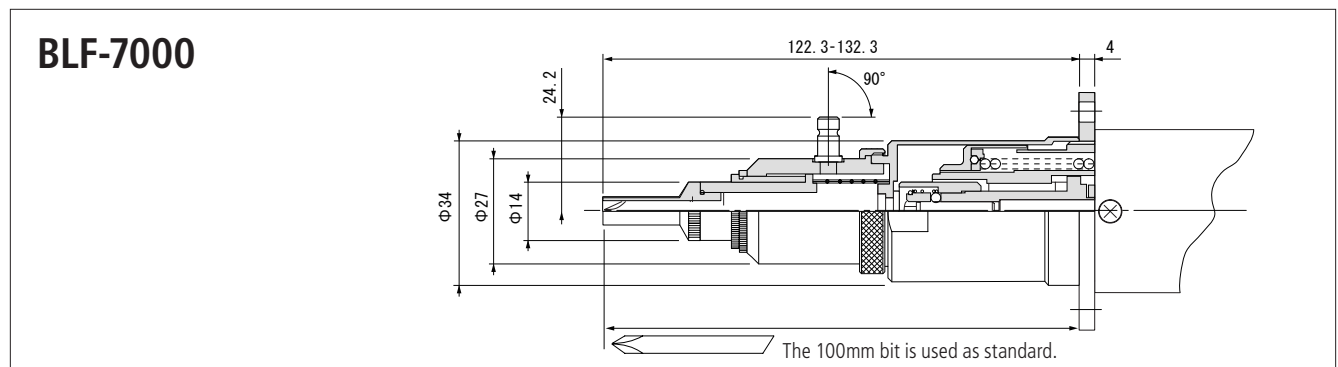
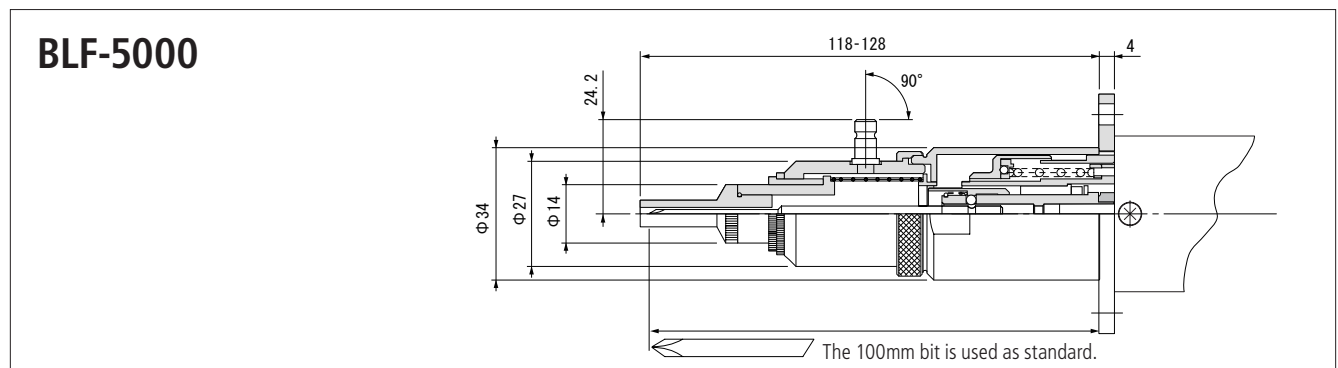
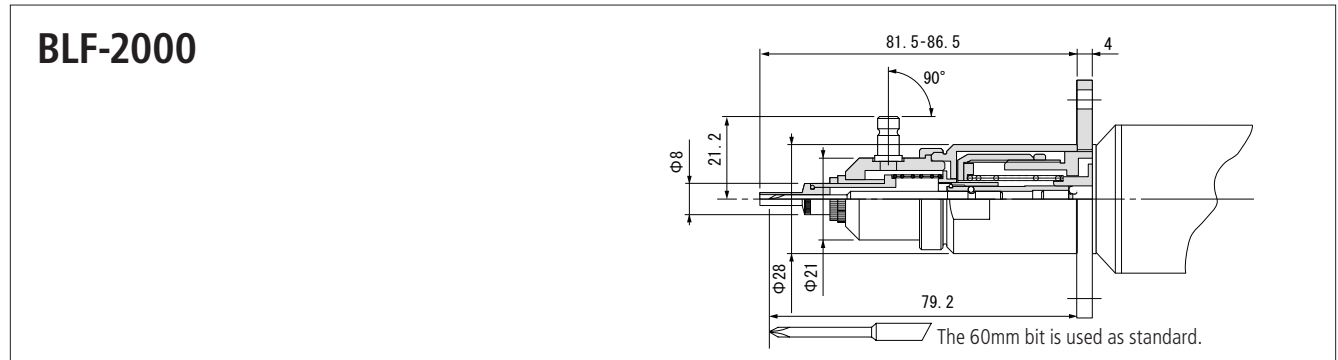
External Dimensions



Dimensional drawings in mm

| HIOS® BLF Series

External Dimensions with Vacuum Pick-Up Attachments



Dimensional drawings in mm