

# H Series Pneumatic Screwdrivers and Nutrunners

Products and Solutions for Assembly





## | About ASG

**We are personally committed** to understanding and exceeding our customers' requirements. We are committed to continuously improving our products and processes.

**We are dedicated** to delivering products, services, and solutions on time and at a competitive value.

ASG, Division of Jergens, Inc. is an ISO 9001:2008 certified manufacturer, provider and service center for products and solutions focused around assembly. Since the 1970s, we have developed a first-class reputation unrivaled in the industry offering a wide range of world class products through our various world wide locations.

We offer a wide selection of products including: electric, pneumatic and manual torque control screwdrivers; torque and angle control precision fastening systems; automatic screw feeders and screw presenters; torque testers and calibration services; custom designed automation equipment as well as a full line of accessories.

ASG also offers a selection of value-added products and solutions including engineering and consulting services, financing, and extended protection and maintenance plans.



## Industry Commitment

ASG is committed to the highest quality standards, ensuring that all processes and procedures are followed to produce the best products for our customers. We maintain ISO 9001:2008 certification for the manufacture, distribution, and service of assembly tools. Maintaining membership in key industry organizations in order to stay abreast of the most current industry trends and information is vital to serving our customers.



# Industrial Product Group

## Durable Performance



ASG Industrial products are designed for durable performance in industrial environments requiring high duty cycles. With commanding pneumatic power and manual torque control, ASG Industrial products are specified to supply industry end markets including tier automotive, appliance, fabrication, machinery, construction and electronics. ASG offers a wide variety of powered and manual assembly products with controlled torque output ranging from under 1 N.m up to 2,000 N.m across the product group. ASG is committed to providing exceptional value to its customers with industry leading products and service.



## Table of Contents

About ASG .....	2
About ASG Industrial .....	3
Section 1: Auto Shut-Off Clutch Pneumatic Screwdrivers.....	4
Section 2: Non Auto Shut-Off Pneumatic Screwdrivers.....	6
Section 3: Auto Shut-Off Clutch Pneumatic Nutrunners .....	7
Section 4: Auto Shut-Off Tube Nut Wrenches.....	8
Section 5: H Series Accessories .....	10

# Section 1: Auto Shut-Off Clutch Pneumatic Screwdrivers



HP65

- Value engineered auto shut-off technology
- Light weight, ergonomic composite housings
- Reversible, delivers full torque in reverse
- Unique top and bottom inlet ports on pistol grip push-to-start (trigger permit) models
- Anti-tamper proof torque adjustment covers

## In-Line Push-to-Start

Model Number	ASG Number	Torque Range		Free Speed RPM	Drive Size	Operating Pressure		Inlet Size	Min Hose ID	Air Consumption		±2 DBA
		lbf.in	N.m			PSI	Bar			CFM	L/Sec.	
HP20	68201	0.9 - 5.6	0.1 - 0.63	1000	1/4" Hex	90	6.2	1/4" NPT	3/16"	7	3.3	70
HP35	68203	2.7 - 14.2	0.3 - 1.6	2200	1/4" Hex	90	6.2	1/4" NPT	3/16"	9.9	4.7	74
HP40	68204	4.4 - 21.2	0.5 - 2.4	1000	1/4" Hex	90	6.2	1/4" NPT	3/16"	9.9	4.7	74
HP55	68208	6.2 - 45.1	0.7 - 5.1	1000	1/4" Hex	90	6.2	1/4" NPT	5/16"	19.4	9.17	78
HP65	68210	25.7 - 124.8	2.9 - 14.1	300	1/4" Hex	90	6.2	1/4" NPT	5/16"	19.4	9.17	78

## In-Line Lever Start

Model Number	ASG Number	Torque Range		Free Speed RPM	Drive Size	Operating Pressure		Inlet Size	Min Hose ID	Air Consumption		±2 DBA
		lbf.in	N.m			PSI	Bar			CFM	L/Sec.	
HL20	68241	0.9 - 5.6	0.1 - 0.63	1000	1/4" Hex	90	6.2	1/4" NPT	3/16"	7	3.3	70
HL35	68243	2.7 - 14.2	0.3 - 1.6	2200	1/4" Hex	90	6.2	1/4" NPT	3/16"	9.9	4.7	74
HL40	68244	4.4 - 21.2	0.5 - 2.4	1000	1/4" Hex	90	6.2	1/4" NPT	3/16"	9.9	4.7	74
HL55	68248	6.2 - 45.1	0.7 - 5.1	1000	1/4" Hex	90	6.2	1/4" NPT	5/16"	19.4	9.17	78
HL65	68250	25.7 - 124.8	2.9 - 14.1	300	1/4" Hex	90	6.2	1/4" NPT	5/16"	19.4	9.17	78

# Auto Shut-Off Clutch Pneumatic Screwdrivers

## Pistol Grip Trigger Start

Model Number	ASG Number	Torque Range		Free Speed RPM	Drive Size	Operating Pressure		Inlet Size	Min Hose ID	Air Consumption		±2 DBA
		lbf.in	N.m			PSI	Bar			CFM	L/Sec.	
HBP38	68301	2.7 - 17.4	0.3 - 1.96	1800	1/4" Hex	90	6.2	1/4" NPT	3/16"	9.9	4.7	74
HBP47	68303	8.9 - 34.5	1.0 - 3.9	550	1/4" Hex	90	6.2	1/4" NPT	3/16"	9.9	4.7	74
HBP55	68306	10.6 - 52.2	1.2 - 5.9	1000	1/4" Hex	90	6.2	1/4" NPT	5/16"	19.4	9.17	78
HBP65	68308	25.7 - 124.8	2.9 - 14.1	300	1/4" Hex	90	6.2	1/4" NPT	5/16"	19.4	9.17	78

## Pistol Grip Push-to-Start (Trigger Permit) With Top and Bottom Inlet Ports

Model Number	ASG Number	Torque Range		Free Speed RPM	Drive Size	Operating Pressure		Inlet Size	Min Hose ID	Air Consumption		±2 DBA
		lbf.in	N.m			PSI	Bar			CFM	L/Sec.	
HPP38	68321	2.7 - 17.4	0.3 - 1.96	1800	1/4" Hex	90	6.2	1/4" NPT	3/16"	9.9	4.7	74
HPP41	68322	4.4 - 24.3	0.5 - 2.74	1000	1/4" Hex	90	6.2	1/4" NPT	3/16"	9.9	4.7	74



HP20



HL35



HBP47



HPP38

## Section 2: Non Auto Shut-Off Pneumatic Screwdrivers



HPS39



HDP48

- Value engineered technology
- Light weight, ergonomic composite housings
- Reversible

### Pistol Grip Trigger Start: Cushion Clutch

Model Number	ASG Number	Torque Range		Free Speed	Drive Size	Operating Pressure		Inlet Size	Min Hose ID	Air Consumption		±2 DBA
		lbf.in	N.m	RPM		PSI	Bar			CFM	L/Sec.	
HCP39	68340	4.4 - 35.4	0.5 - 4.0	1600	1/4" Hex	90	6.2	1/4" NPT	3/16"	9.9	4.7	72
HCP48	68342	8.9 - 49.6	1.0 - 5.6	1700	1/4" Hex	90	6.2	1/4" NPT	5/16"	19.4	9.17	76
HCP58	68343	8.9 - 92.04	1.0 - 10.4	750	1/4" Hex	90	6.2	1/4" NPT	5/16"	19.4	9.17	76

### Pistol Grip Trigger Start: Positive Clutch

Model Number	ASG Number	Torque Range		Free Speed	Drive Size	Operating Pressure		Inlet Size	Min Hose ID	Air Consumption		±2 DBA
		lbf.in	N.m	RPM		PSI	Bar			CFM	L/Sec.	
HPS39	68360	7.5 - 35.4	0.85 - 4.0	1600	1/4" Hex	90	6.2	1/4" NPT	3/16"	9.9	4.7	70
HPS48	68362	10.6 - 49.6	1.2 - 5.6	1700	1/4" Hex	90	6.2	1/4" NPT	5/16"	19.4	9.17	75
HPS58	68363	19.5 - 92.04	2.2 - 10.4	750	1/4" Hex	90	6.2	1/4" NPT	5/16"	19.4	9.17	75

### Pistol Grip Trigger Start: Direct Drive

Model Number	ASG Number	Torque Range		Free Speed	Drive Size	Operating Pressure		Inlet Size	Min Hose ID	Air Consumption		±2 DBA
		lbf.in	N.m	RPM		PSI	Bar			CFM	L/Sec.	
HDP39	68370	7.5 - 35.4	0.85 - 4.0	1600	1/4" Hex	90	6.2	1/4" NPT	3/16"	9.9	4.7	72
HDP48	68372	10.6 - 49.6	1.2 - 5.6	1700	1/4" Hex	90	6.2	1/4" NPT	5/16"	19.4	9.17	76
HDP58	68373	19.5 - 92.04	2.2 - 10.4	750	1/4" Hex	90	6.2	1/4" NPT	5/16"	19.4	9.17	76

## Section 3: Auto Shut-Off Clutch Pneumatic Nutrunners



HAW35

- Value engineered auto shut-off technology
- Light weight, ergonomic composite housings
- Reversible, delivers full torque in reverse

### Right Angle Lever Start

Model Number	ASG Number	Torque Range		Free Speed RPM	Drive Size	Operating Pressure		Inlet Size	Min Hose ID	Air Consumption		±2 DBA
		lbf.in	N.m			PSI	Bar			CFM	L/Sec.	
HAW35	68283	2.7 - 14.2	0.3 - 1.6	2200	1/4" Sq.	90	6.2	1/4" NPT	3/16"	9.9	4.7	74
HAW48	68286	4.4 - 31.0	0.5 - 3.5	1700	3/8" Sq.	90	6.2	1/4" NPT	5/16"	19.4	9.17	78
HAW60	68289	13.3 - 66.4	1.5 - 7.5	550	3/8" Sq.	90	6.2	1/4" NPT	5/16"	19.4	9.17	78
HAW65	68290	25.7 - 124.8	2.9 - 14.1	300	3/8" Sq.	90	6.2	1/4" NPT	5/16"	19.4	9.17	78
HA35	68263	2.7 - 14.2	0.3 - 1.6	2200	1/4" Hex	90	6.2	1/4" NPT	3/16"	9.9	4.7	74
HA48	68266	4.4 - 31.0	0.5 - 3.5	1700	1/4" Hex	90	6.2	1/4" NPT	5/16"	19.4	9.17	78
HA60	68269	13.3 - 66.4	1.5 - 7.5	550	1/4" Hex	90	6.2	1/4" NPT	5/16"	19.4	9.17	78
HA65	68270	25.7 - 124.8	2.9 - 14.1	300	1/4" Hex	90	6.2	1/4" NPT	5/16"	19.4	9.17	78

### Right Angle Lever Start: High Torque

Model Number	ASG Number	Torque Range		Free Speed RPM	Drive Size	Operating Pressure		Inlet Size	Min Hose ID	Air Consumption		DBA
		lbf.ft	N.m			PSI	Bar			CFM	L/Sec.	
HAW150	68466	3.6 - 10.5	4.9 - 14.2	770	3/8" Sq.	90	6.2	1/4" NPT	5/16"	19.4	9.17	78
HAW200	68467	2.1 - 14.5	2.9 - 19.6	430	3/8" Sq.	90	6.2	1/4" NPT	5/16"	19.4	9.17	78
HAW300	68468	3.6 - 28.9	4.9 - 39.2	300	3/8" Sq.	90	6.2	1/4" NPT	5/16"	19.4	9.17	78
HAW480	68469	25.3 - 34.8	34.3 - 47.1	180	1/2" Sq.	90	6.2	1/4" NPT	5/16"	19.4	9.17	78



## Section 4: Auto Shut-Off Tube Nut Wrenches



HTN-17-42-12MM

- Value engineered for exceptional value
- Small head design works in limited access areas
- Standard and custom sockets available
- Capable of tightening and loosening fasteners. Inverse tool to loosen bolts.

Model Number	ASG Number	Torque Range		Free Speed	Socket Hex Drive Size	Length		Weight		Head Width
		lbf.in	N.m	RPM	mm	in.	mm	lb.	kg	mm
HTN-8-42-6MM	68470	26.55 - 70.81	3.0 - 8.0	230	6	18.5	470	4.9	2.2	42
HTN-8-42-8MM	68471	26.55 - 70.81	3.0 - 8.0	230	8	18.5	470	4.9	2.2	42
HTN-8-42-9MM	68472	26.55 - 70.81	3.0 - 8.0	230	9	18.5	470	4.9	2.2	42
HTN-8-42-10MM	68473	26.55 - 70.81	3.0 - 8.0	230	10	18.5	470	4.9	2.2	42
HTN-8-42-11MM	68474	26.55 - 70.81	3.0 - 8.0	230	11	18.5	470	4.9	2.2	42
HTN-8-42-12MM	68475	26.55 - 70.81	3.0 - 8.0	230	12	18.5	470	4.9	2.2	42
HTN-17-42-6MM	68476	44.25 - 150.46	5.0 - 17	230	6	18.5	470	4.9	2.2	42
HTN-17-42-8MM	68477	44.25 - 150.46	5.0 - 17	230	8	18.5	470	4.9	2.2	42
HTN-17-42-9MM	68478	44.25 - 150.46	5.0 - 17	230	9	18.5	470	4.9	2.2	42
HTN-17-42-10MM	68479	44.25 - 150.46	5.0 - 17	230	10	18.5	470	4.9	2.2	42
HTN-17-42-11MM	68480	44.25 - 150.46	5.0 - 17	230	11	18.5	470	4.9	2.2	42
HTN-17-42-12MM	68481	44.25 - 150.46	5.0 - 17	230	12	18.5	470	4.9	2.2	42
HTN-17-56-13MM	68482	44.25 - 150.46	5.0 - 17	230	13	18.5	470	4.9	2.2	56
HTN-17-56-14MM	68483	44.25 - 150.46	5.0 - 17	230	14	18.5	470	4.9	2.2	56
HTN-24-56-15MM	68484	61.96 - 212.42	7.0 - 24	170	15	18.5	470	4.9	2.2	56
HTN-24-56-17MM	68485	61.96 - 212.42	7.0 - 24	170	17	18.5	470	4.9	2.2	56
HTN-24-56-19MM	68486	61.96 - 212.42	7.0 - 24	170	19	18.5	470	4.9	2.2	56
HTN-24-56-21MM	68487	61.96 - 212.42	7.0 - 24	170	21	18.5	470	4.9	2.2	56
HTN-24-56-22MM	68488	61.96 - 212.42	7.0 - 24	170	22	18.5	470	4.9	2.2	56

Operating Pressure: 85.34 PSI, 5.88 Bar | Inlet Size: 1/4" NPT | Min. Hose ID: 10mm | Air Consumption: 19.43 CFM, 9.17 L/Sec | DBA: 78

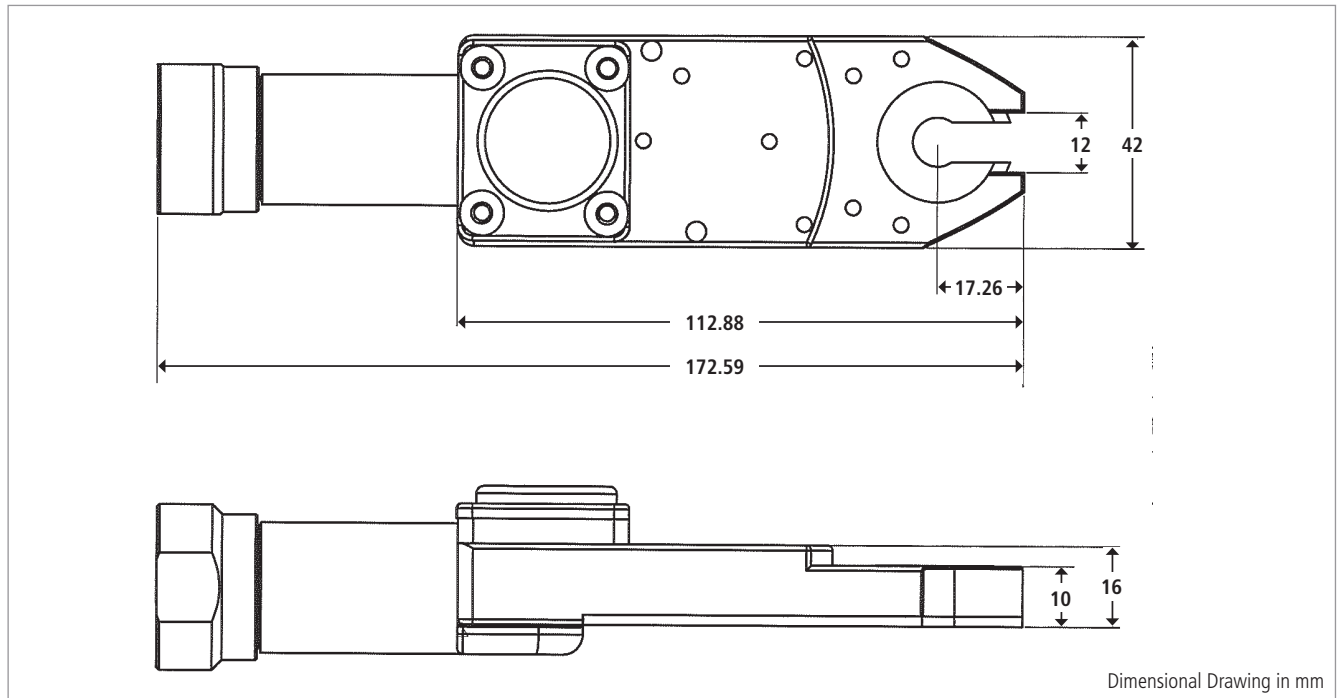
Gears with lip to prevent disengagement from the nut. Non-reversible. Available upon request, contact ASG for more information.



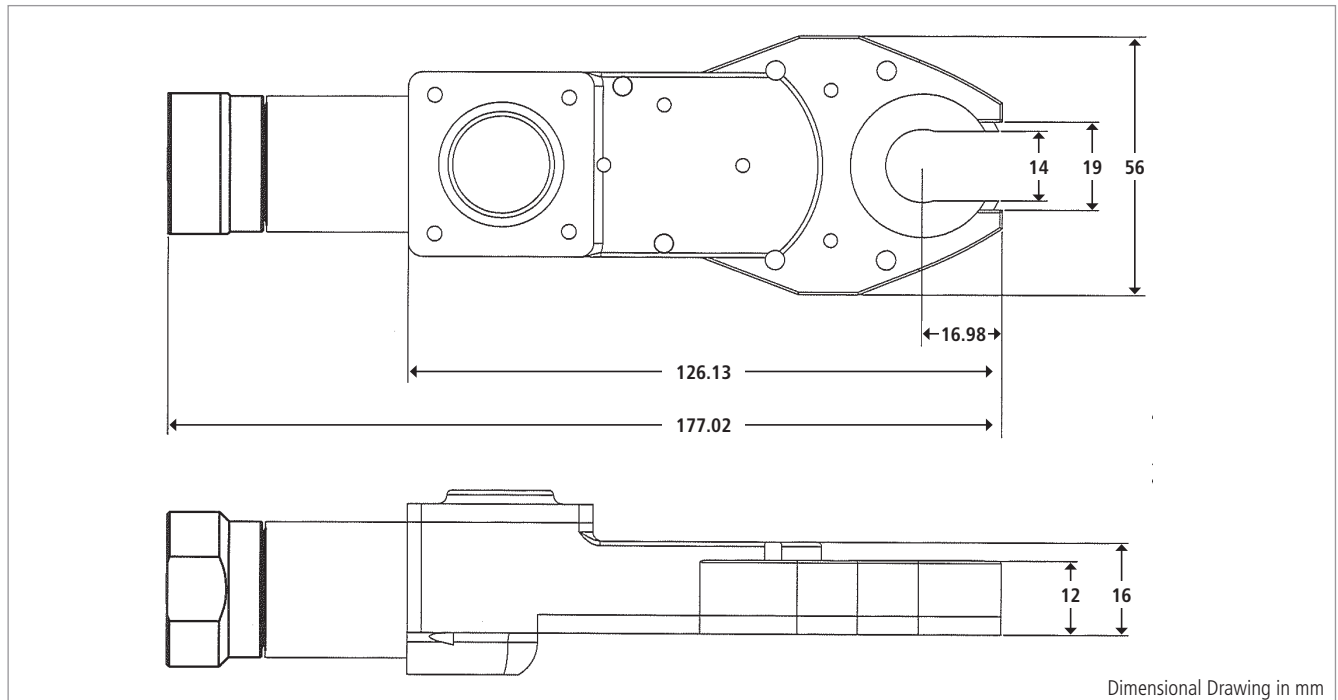


# Auto Shut-Off Tube Nut Wrenches

## HTN-42mm Head Width



## HTN-56mm Head Width



## Section 5: H Series Accessories

### Air Filter Regulators and Oilers



68410



3920A

ASG Number	Description	Inlet Size	Pressure		Max Flow CFM	Filter Element
			PSI	Bar		
68410	Mini Air Filter, Regulator and Lubricator	1/4" NPT	7 - 143	0.5 - 9.9	38	20u
3920A	Universal Swivel Air Inlet Joint (Aluminum Alloy)	1/4" Male and 1/4" Female NPT				

### Coil Hose and Hose Balancer



68408



68412

ASG Number	Description	Length		Hose ID		Hose OD		Fittings	Max Working Pressure		Min Bursting Pressure	
		ft.	m	in.	mm	in.	mm		PSI	Bar	PSI	Bar
68408	Coil Hose	12	3.65	5/16	7.9	N/A	N/A	1/4" NPT	100	7	400	28
68412	Hose Balancer	6.5	2.0	3/16	5	5/16	8	1/4" NPT	100	7	400	28

### Pneumatic Screwdriver Tool Holster



68414

- Attach to the edge of bench or work station
- Adjusts to hold tool at proper angle
- Removable insert allows holder to be adjusted to fit two different diameter tools

ASG Number	Hole Size for Small Tools		Hole Size for Large Tools		Top Tapered Diameter		Bottom Tapered Diameter		Hole Depth	
	in.	mm	in.	mm	in.	mm	in.	mm	in.	mm
68414	1.45	37	1.73	44	1.53	39	0.98	25	2.36	60

# H Series Accessories

## Quick Disconnect Couplers and Connectors

### Milton Series

ASG Number	Series	Thread Size	Material	Mating Connector	Mating Coupler
MP20M	Milton Connector	1/4" NPT Male	Steel/Brass		MIC20M, MIC20F

### ARO Series

ASG Number	Series	Thread Size	Material	Mating Connector	Mating Coupler
AP20M	ARO Connector	1/4" NPT Male	Steel/Brass		AC20M, AC20F, AC25H

### ASG Series



68400



68402

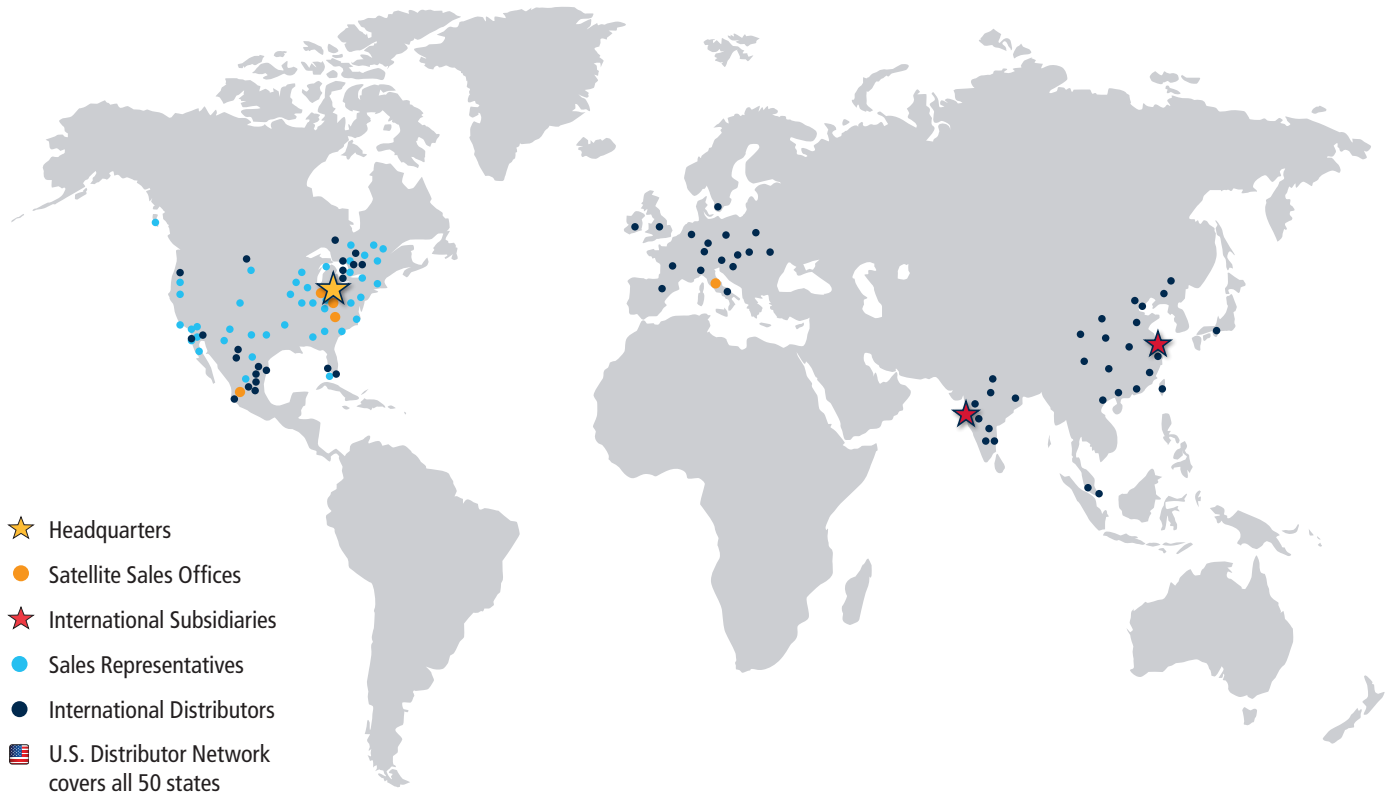


68404

ASG Number	Series	Thread Size	Material	Mating Connector	Mating Coupler
68400	ASG Coupler	1/4" NPT Female	Steel	68406 (Male) and 68404 (Female)	
68402	ASG Coupler	1/4" NPT Male	Steel	68406 (Male) and 68404 (Female)	
68404	ASG Connector	1/4" NPT Female	Steel		68402 (Male) and 68400 (Female)
68406	ASG Connector	1/4" NPT Male	Steel		68402 (Male) and 68400 (Female)

## Bits and Sockets

ASG offers a full range of screwdriver bits and nutrunner sockets. Please visit [www.asg-jergens.com](http://www.asg-jergens.com) for more information.



## Our footprint covers the globe!

## Global Support

ASG employs a team of technical experts to provide support, repair, calibration and preventative maintenance services. We welcome the opportunity to provide assistance by telephone or online chat Monday through Friday, 8 a.m. to 5 p.m. (U.S. Eastern Time) excluding holidays.

ASG maintains subsidiaries in Shanghai, China and Mumbai, India, and sales offices in Mexico and Europe to provide direct support to our international customers. We work together with our global Field Sales Representative and Distributor Network to help customers standardize their assembly equipment and processes around the world.

Distributor:



## Products and Solutions for Assembly

**ASG USA Headquarters**  
 Jergens Way, 15700 S. Waterloo Road  
 Cleveland, OH 44110-3898 USA  
 Phone: (216) 486-6163  
 Toll-free USA: (888) 486-6163  
 Fax: (216) 481-4519  
 Email: [asginfo@asg-jergens.com](mailto:asginfo@asg-jergens.com)

**ASG China Subsidiary**  
 Unit 301 Level 3, Block A  
 A-REIT City at Jinqiao, 200 Jinsu Road,  
 Shanghai, Pudong 201206 CHINA  
 Phone: +86 21 58209175  
 Fax: +86 21 58353696  
 Email: [rafael.qi@asg-jergens.com](mailto:rafael.qi@asg-jergens.com)

**ASG India Subsidiary**  
 B-607, Mahaavir Icon,  
 Plot No. 89, Sector 15, C.B.D. Belapur  
 Navi Mumbai-400 614, Maharastra INDIA  
 Phone: +91 22 27572998  
 Mobile: +91 98 334 04986  
 Email: [jpk@asg-jergens.com](mailto:jpk@asg-jergens.com)