

Three Phase Power Controller

ASR-002

USER MANUAL

Rev. A



ISO-9001 CERTIFIED MANUFACTURER

GW INSTEK

This manual contains proprietary information, which is protected by copyright. All rights are reserved. No part of this manual may be photocopied, reproduced or translated to another language without prior written consent of Good Will company.

The information in this manual was correct at the time of printing. However, Good Will continues to improve products and reserves the rights to change specification, equipment, and maintenance procedures at any time without notice.

Good Will Instrument Co., Ltd.
No. 7-1, Jhongsing Rd., Tucheng Dist., New Taipei City 236, Taiwan.

Table of Contents

SAFETY INSTRUCTIONS	4
GETTING STARTED	7
ASR-002 Overview	7
Front Panel.....	8
Rear Panel	10
OPERATION	11
Basic Operation.....	12
Advance Setting.....	14
Phase Angle Setting.....	16
Voltage Ramp Setting	17
Frequency Sweep Setting	18
Unit Setting Value Display	19
Wire Connection & Accessories	20
APPENDIX	21
ASR-002 Dimension.....	21
Using the Rack Mount Kit.....	22
Command List.....	23
ASR-002 Error Messages.....	24

S SAFETY INSTRUCTIONS

This chapter contains important safety instructions that you must follow during operation and storage. Read the following before any operation to ensure your safety and to keep the instrument in the best possible condition.

Safety Symbols

These safety symbols may appear in this manual or on the instrument.



WARNING

Warning: Identifies conditions or practices that could result in injury or loss of life.



CAUTION

Caution: Identifies conditions or practices that could result in damage to the ASR-002 or to other properties.



DANGER High Voltage



Attention Refer to the Manual



Protective Conductor Terminal



Earth (ground) Terminal



Do not dispose electronic equipment as unsorted municipal waste. Please use a separate collection facility or contact the supplier from which this instrument was purchased.

Safety Guidelines

General Guideline



CAUTION

- Do not place any heavy object on the ASR-002.
- Avoid severe impact or rough handling that leads to damaging the ASR-002.
- Do not discharge static electricity to the ASR-002.
- Use only mating connectors, not bare wires, for the terminals.
- Do not block the cooling fan opening.
- Do not disassemble the ASR-002 unless you are qualified.
- If the equipment is used in a manner not specified by the manufacturer, the protection provided by the equipment may be impaired.

Power Supply



WARNING

- AC Input voltage range:
230 Vac \pm 15%
- Frequency: 50/60 Hz
- To avoid electrical shock connect the protective grounding conductor of the AC power cord to an earth ground.

Cleaning the ASR-002

- Disconnect permanently connected power input before cleaning.
 - Use a soft cloth dampened in a solution of mild detergent and water. Do not spray any liquid.
 - Do not use chemicals containing harsh material such as benzene, toluene, xylene, and acetone.
-

Operation Environment

- Location: Indoor, no direct sunlight, dust free, almost non-conductive pollution (Note below)
 - Relative Humidity: 20%~ 80%, no condensation
 - Altitude: < 2000m
 - Temperature: 0°C to 40°C
-

Storage environment

- Location: Indoor
 - Temperature: -10°C to 70°C
 - Relative Humidity: ≤90%, no condensation
-

Disposal

Do not dispose this instrument as unsorted municipal waste. Please use a separate collection facility or contact the supplier from which this instrument was purchased. Please make sure discarded electrical waste is properly recycled to reduce environmental impact.

G E T T I N G S T A R T E D

This chapter describes the ASR-002 power controller in a nutshell, including its main features and front/rear panel introduction.

ASR-002 Overview	7
Front Panel	8
Rear Panel	10

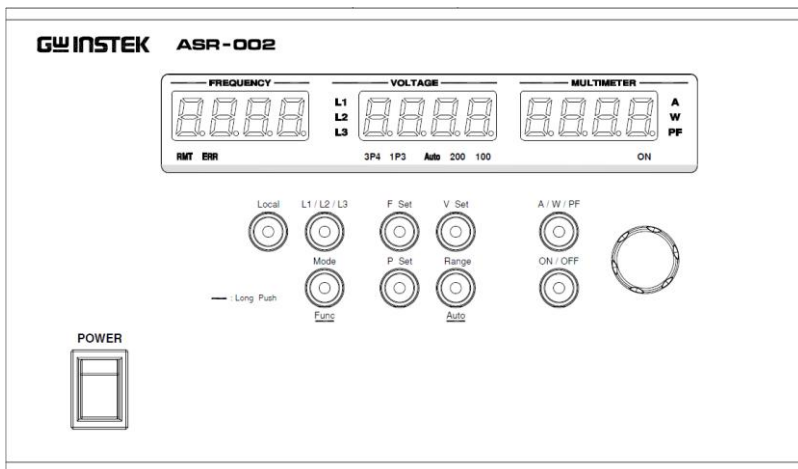
ASR-002 Overview

ASR-002, which is a three-phase power controller, is able to controll up to 3 single phase power supply units (ASR series only).

It effectively makes AC output conformed to 1P3W/3P4W that generally unit requires, and also turns output into 3P3W via designated wire method.

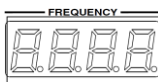
When the select single phase power is greater than the capacity of 2kVA, it is suggested that output should be connected to external terminal for safety consideration.

Front Panel

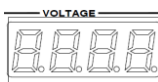


Section	Figure	Description
---------	--------	-------------

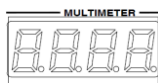
Header Displays



FREQUENCY: It displays frequency.



VOLTAGE: It displays voltage.



MULTIMETER: It displays A current / W power / PF power factor.

Function Keys



It changes header display A → W → PF.



ON: Output on.
OFF: Output off.



V Set: It configures voltage.



Range: It toggles between 100V and 200V.
Auto: It enters Auto range by long press.



F Set: It configures frequency.



P Set: It configures L2 / L3 phase.



L1 / L2/ L3: It changes among L1 → L2 → L3.



Mode: It toggles between 1P3W → 3P4W.
Func: It configures advance setting by long press.



Local: It cancels connection and enters the local operation mode.



Knob Key: It adjusts value by scroll.
Also, it switches input adjustment position by press.

Display Icons



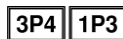
It indicates remote control mode.



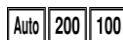
It indicates that error of control occurs.



It indicates output phase.



It indicates output mode.

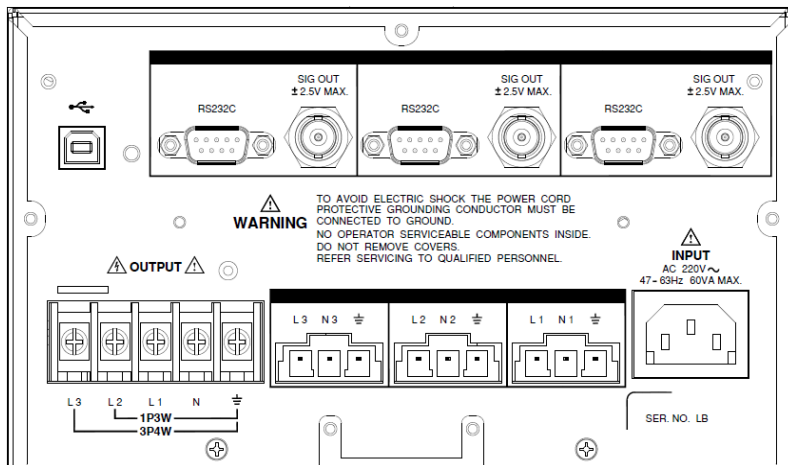







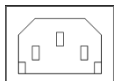
It indicates output range.



It indicates measurement unit display.

Rear Panel



Section	Figure	Description
USB Port		USB B-type port for remote control.
RS232C Port		RS232C port for remote control.
SIG OUT		SIG OUT for phase control signal output.
Phase Terminal		The phase terminals for L1/L2/L3.
Output Terminal		1P3W: Single phase 3 wire. 3P4W: Three phase 4 wire.
Power Voltage Input		Voltage Input: AC 220V. Power Frequency: 47 – 63Hz.

OPERATION

Basic Operation.....	12
Output Mode Setting Process.....	12
Voltage Range Setting Process	12
Voltage Value Setting Process	12
Frequency Setting Process.....	13
Phase Shift Setting Process	13
Advance Setting.....	14
Voltage Amplification Setting Process.....	14
Slew Reate Setting Process	14
RS232 Baudrate Setting Process.....	15
Factory Default Setting Process	15
Phase Angle Setting.....	16
Phase Angle Setting Process	16
Voltage Ramp Setting	17
Voltage Ramp Setting Process.....	17
Frequency Sweep Setting	18
Frequency Sweep Setting Process	18
Unit Setting Value Display	19
Unit Setting Value Display Setting Process	19
Wire Connection & Accessories	20
ASR-2000 Series example.....	20
Accessories	20

Basic Operation

Output Mode Setting Process

- Steps
1. Press the Mode key.
 2. Toggle between 1P3W → 3P4W.

Voltage Range Setting Process

- Steps
1. Press the Range key.
 2. Toggle between 100V → 200V.
Press and hold the Range key to enter Auto.

Voltage Value Setting Process

- Steps
1. Press the V Set key.
 2. Scroll the Knob key to adjust voltage value.
 3. 100V: 0 – 175V
200V: 0 – 350 V
Auto: 0 – 350V
 4. After adjustment, press the V Set key again to upload the set value to ASR series unit.

Frequency Setting Process

- Steps
1. Press the F Set key.
 2. Scroll the Knob key to adjust frequency value.
 3. Frequency range: 40 – 999.9Hz.

Phase Shift Setting Process

- Steps
1. Press the P Set key.

2. Scroll the Knob key to adjust phase.

L2 setting range: 85° - 155°

P5Et	1200	000
------	------	-----
 3. Press the P Set key to enter the next step.

L3 setting range: 205° - 275°

P5Et	2400	000
------	------	-----
 4. Press the P Set key to exit.

Advance Setting

Voltage Amplification Setting Process

- Steps
1. Press and hold the Mode key to enter the setting.
 2. Adjust L1/L2/L3 based on voltage amplification.
 3. Scroll the Knob key to adjust amplification. The setting range: 0 - 3.5.

L1	BrEF	1000
----	------	------

Press L1/L2/L3 key to enter next step.

L2	BrEF	1000
----	------	------

L3	BrEF	1000
----	------	------
 4. After configuration, press the Range key to enter the next step.

Slew Reate Setting Process

- Steps
1. Slew Rate setting. Setting range: 0.001 - 0.5.

SLEW	Rate	0.200
------	------	-------
 2. After configuration, press the Range key to enter the next step.

RS232 Baudrate Setting Process

- Steps
1. RS232 interface transmission speed setting (9600 by default). Setting range: (9600 → 19200 → 38400 → 57600 → 115200).
- `baud` `9600`


Factory Default Setting Process

- Steps
1. Restore to the factory default setting. Press the Range key, and the system exits automatically.
- `FACT` `DEFA`

Phase Angle Setting

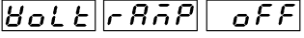
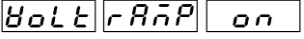
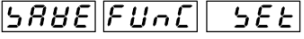
Phase Angle Setting Process

- Steps
1. Press and hold the P Set key to enter the phase angle setting.
 2. Set the starting angle.
 3. The default setting is OFF.
 4. Press the Range key to enter next step or scroll the Knob key to adjust to ON for angle setting. The setting range: 0° - 359°.
 5. Press the Range key to enter the next step and exit from starting angle setting.
 6. Set the ending angle.
 7. The default setting is OFF.
 8. Press the Range key to finish phase angle setting or scroll the Knob key to adjust to ON for angle setting. The setting range: 0° - 359°.
 9. After configuration, press the Range key to finish phase angle setting.

10. Press and hold the Mode key and display will be shown as the right figure.

11. Press the Range key to save the setting and exit.

Voltage Ramp Setting

Voltage Ramp Setting Process

- | | |
|-------|---|
| Steps | <ol style="list-style-type: none">1. Press and hold the V Set key to enter the Ramp setting.2. The default setting is OFF. 3. Press the Range key to exit from Ramp setting or scroll the Knob key to Ramp ON followed by pressing Range key to enter the Ramp value setting.
4. The setting range: 0.001 – 9.9995. Press the Range key to exit.6. Press and hold the Mode key and display will be shown as the right figure.
7. Press the Range key to save the setting and exit. |
|-------|---|

Frequency Sweep Setting

Frequency Sweep Setting Process

- Steps
1. Press and hold the F Set key to enter the Sweep setting.
 2. The default setting is OFF. `FREQ SWEEP` `OFF`
 3. Scroll the Knob key to Sweep ON followed by pressing the Range key to enter the Sweep value setting. `FREQ SWEEP` `on`
 4. The setting range: 0.001 – 9.999
 5. Press the Range key to exit.
 6. Press and hold the Mode key and display will be shown as the right figure. `SAVE FUNC` `SET`
 7. Press the Range key to save the setting and exit.

Unit Setting Value Display

Unit Setting Value Display Setting Process

- Steps
1. Press and hold the Mode key to enter the setting.
 2. Press the L1/L2/L3 key to browse the default settings as follows.

L1 Vref 1.000 L1 VREF 1000

L2 Vref 1.000 L2 VREF 1000

L3 Vref 1.000 L3 VREF 1000

SLEW RATE 0.200 SLEW RATE 0200

BAUD 9600 BAUD 9600

FACT DEFA FACT DEFA

SOFT VER T101 SOFT VER T101

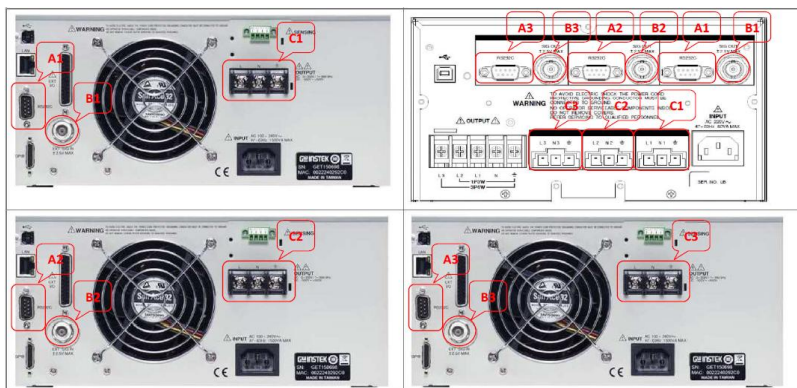
SAVE FUNC SET SAVE FUNC SET

EXT ASR SET EXT ASR SET

EXIT FUNC SET EXIT FUNC SET

Wire Connection & Accessories

ASR-2000 Series Example



ASR-2100 A1 to ASR-002 A1	B1 to B1	C1 to C1
ASR-2100 A2 to ASR-002 A2	B2 to B2	C2 to C2
ASR-2100 A3 to ASR-002 A3	B3 to B3	C3 to C3

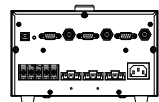
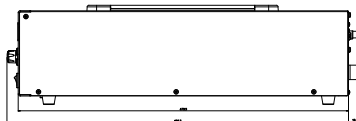
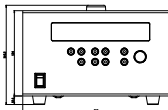
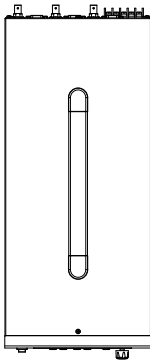
Accessories

Part Number	Description
GTL-232 x 3	RS232C cable, approx. 2M
GTL-110 x 3	BNC test lead, approx 1.1M
GTL-246 x 1	USB Cable (USB 2.0 Type A- Type B Cable, Approx. 1.2M)
40WC792030011 x 3	C1/C2/C3 Cable, 4M Max Length, UL1015 12AWG, RV5-5, Hirose DF22-4S-7.92C(28) 3P + DF22A-1012SCFA

APPENDIX

ASR-002 Dimension.....	21
Using the Rack Mount Kit.....	22
Command List.....	23
ASR-002 Error Messages	24

ASR-002 Dimension



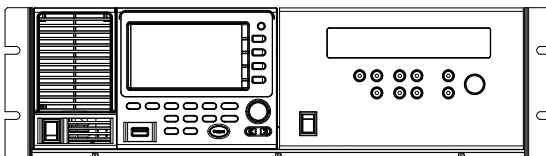
Using the Rack Mount Kit

Background

The ASR-002 assembled with ASR-2000 has the following optional Rack Mount kits.

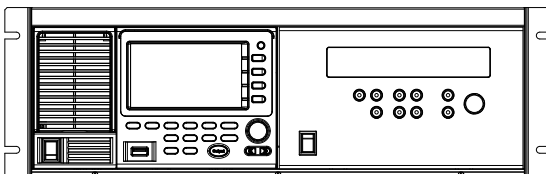
ASR-002 Rack-EIA

ASR-002 with
ASR2000
assembled with
rack EIA



ASR-002 Rack-JIS

ASR-002 with
ASR2000
assembled with
rack JIS



Ensure adequate ventilation is provided when using the rack mount. Ensure that a gap is given for air intakes. Failure to do so may cause the instrument to overheat.

Command List

Source Commands	[SOURce:]VOLTage[:LEVel][:IMMediate][:AMPLitude] [SOURce:]VOLTage[:LEVel][:IMMediate][:AMPLitude]? [SOURce:]VOLTage:RANGe 100/200/AUTO [SOURce:]VOLTage:RANGe? [SOURce:]VOLTage:MODE FIXed/STEP [SOURce:]VOLTage:MODE? [SOURce:]VOLTage:SLEW xxx [SOURce:]VOLTage:SLEW? [SOURce:]FUNCTion[:SHAPE][:IMMediate] SIN/SQU/TRI [SOURce:]FUNCTion[:SHAPE][:IMMediate]? [SOURce:]FREQuency[:IMMediate] xxx [SOURce:]FREQuency[:IMMediate]? [SOURce:]PHASe:PHASe L12,xxx/L13,xxx [SOURce:]PHASe:PHASe? L12/L13 [SOURce:]PHASe:STARt:ENABle ON/OFF/1/0 [SOURce:]PHASe:STARt:ENABle? [SOURce:]PHASe:STARt xxx [SOURce:]PHASe:STARt? [SOURce:]PHASe:STOP:ENABle ON/OFF/1/0 [SOURce:]PHASe:STOP:ENABle? [SOURce:]PHASe:STOP xxx [SOURce:]PHASe:STARt?
Output Commands	OUTPut[:STATe] ON/OFF/1/0 OUTPut[:STATe]?
Display Commands	DISPlay[:WINDow]:INSTrument:NSElect 0/1/2 DISPlay[:WINDow]:INSTrument:SElect L1/L2/L3
Measure Commands	MEASure[:SCALar]:FREQuency? MEASure[:SCALar]:CURRent[:RMS]? MEASure[:SCALar]:CURRent:AVerage? MEASure[:SCALar]:VOLTage[:RMS]? MEASure[:SCALar]:VOLTage:AVerage? MEASure[:SCALar]:POWer[:AC]:REAL? MEASure[:SCALar]:POWer[:AC]:APParent? MEASure[:SCALar]:POWer[:AC]:REACTive? MEASure[:SCALar]:POWer[:AC]:PFACtor?
System Commands	SYSTem:ERRor? SYSTem:CONFIgure:NPU 3P4W/1P3W SYSTem:CONFIgure:NPU?
Common Commands	*IDN? *CLS *RST

ASR-002 Error Messages

The following error messages may appear on the ASR-002 screen display during varied operations.

Section	Error Messages
Command Error	0 "No error"
	-101 "Invalid character"
	-102 "Syntax error"
	-103 "Invalid separator"
	-108 "Parameter not allowed"
	-109 "Missing parameter"
	-113 "Undefined header"
	-121 "Invalid character in number"
	-148 "Character data not allowed"
-151 "Invalid string data"	

Section	Error Messages
Execution Error	-203 "Command protected"
	-222 "Data out of range"
	-224 "Illegal parameter value"

Section	Error Messages
Device Specific Error	-330 "Self-test failed"
	-350 "Error queue overflow"

Section	Error Messages
Query Error	-410 "Query INTERRUPTED"
	-420 "Query UNTERMINATED"
	-521 "Input buffer overflow"
	-522 "Output buffer overflow"