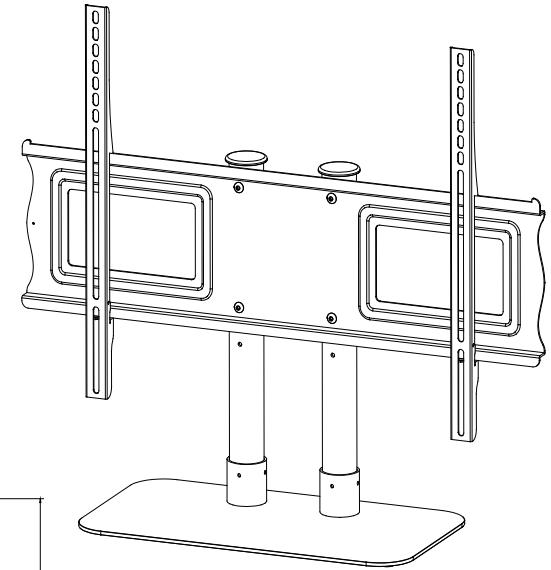
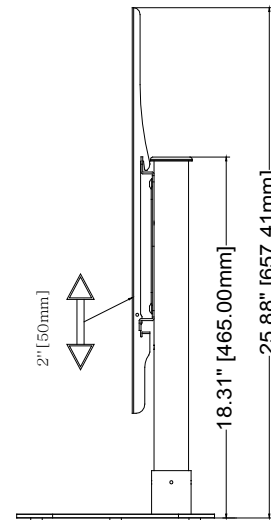
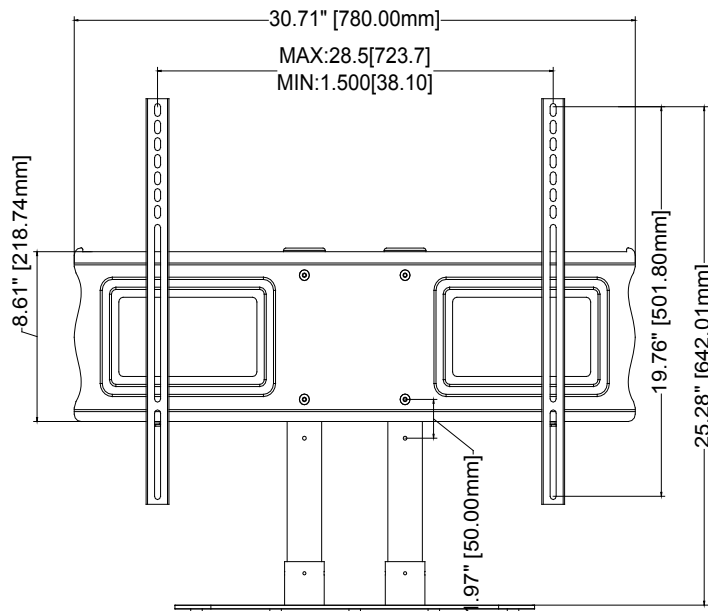
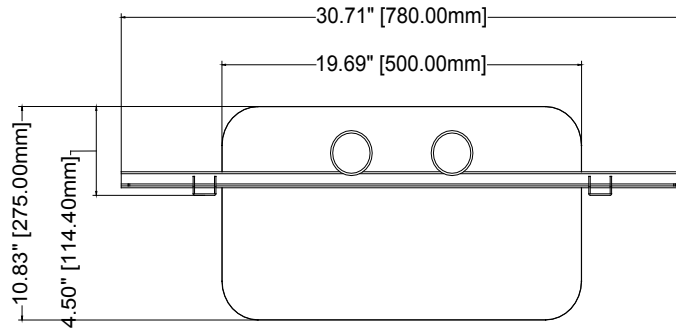


Maximum load rating: 150 lbs



THE INFORMATION CONTAINED IN THIS DRAWING IS THE SOLE PROPERTY OF CRIMSON AV LLC. ANY REPRODUCTION IN PART OR AS A WHOLE WITHOUT THE WRITTEN PERMISSION OF CRIMSON AV LLC IS PROHIBITED



**CRIMSON AV LLC.**

PRODUCT ORDER NUMBER: **DS55**  
 PHONE: **1-866-668-6888**

Crimson AV LLC.  
[www.crimsonav.com](http://www.crimsonav.com)

TITLE:  
**DS55**

SIZE DWG.N.O.  
 B **DS55**