

LE3050 Flat Top Lectern



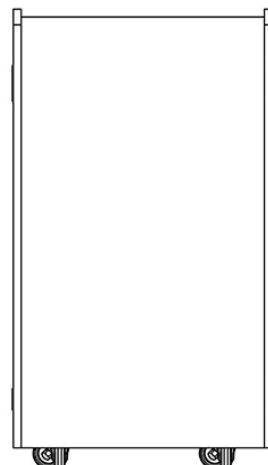
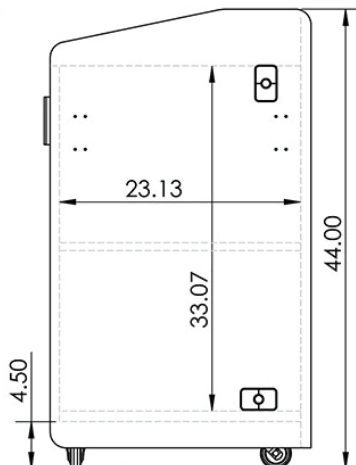
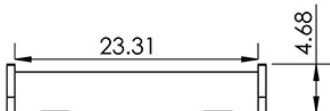
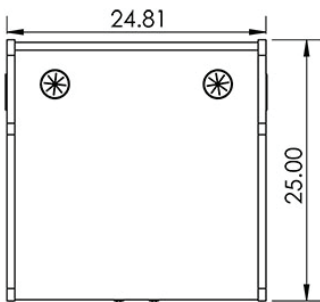
The lectern model **LE3050** is a mobile lectern with a convenient flat top surface to accommodate lecture notes, laptops or monitors. The lockable lower cabinet has an adjustable shelf and ample storage space for your presentation media, microphone and other electronic equipment, etc.

Standard Features

- Large flat work surface 23.5" W x 24" D
- Large interior storage cabinet with locking doors
- Adjustable interior shelf with cable pass-through
- Cable ports on the top and bottom of the unit
- Heavy duty casters (2 locking)
- Many laminate finishes to choose from
- Ships assembled

Options

- **C900S** 15" - 24" Adjustable monitor arm
- **C900D** Adjustable dual monitor arm
- **PLM1022** 10" - 24" Monitor mount
- **MM1232** 12" - 32" Monitor mount
- **MCB1925** 19" - 25" Monitor/camera bracket
- **FM3** Count down timer/clock
- **MIC-18** MX418 S/C Shure Gooseneck microphone
- **LIGHT-18** Littlite Gooseneck
- **PB** Six outlet power bar with 10 ft. cord
- **PC-PATCH** 2x 110AC, RJ45, Phone, 2xUSB
- **SF-PB3** Surface mounted 3-outlet 120V power bar
- **CUB3** Round cable well
- **CUB4** Black-B/Silver-S Power Panel
- **CUB5** Round cable well (Black or silver)
- **CUB8** Table top cable well
- **CHGQIW/B** Wireless charging station white or black
- **CHGQI-DNGL** Dongle Lightning, USB Type-C, Micro-USB. Requires CHGQIW/B
- **SH-LE** Additional interior shelf
- **SH-FL** Folding side shelf kit
- **LEV4AX4** 4x Levelers for non-mobile applications
- **CUSTOM CUTOUT** Cutouts for electronics or other items specified by the customer



Specifications

Model: LE3050
Width: 25"
Depth: 25"
Height: 46"

Finishes



Other finishes are available with a longer lead time. Check website.

The information contained in this drawing is the sole property of Audio Visual Furniture International. Any reproduction in part or as a whole without the written permission of Audio Visual Furniture International is prohibited. AVFI can build or modify stock configurations to suit customer specifications. Please contact us to discuss how this service can help meet your needs. Some quantity restrictions may apply. Specification subject to change without notice. Computers, cameras, monitors, etc. are shown to illustrate product usage and are not included unless otherwise noted.