



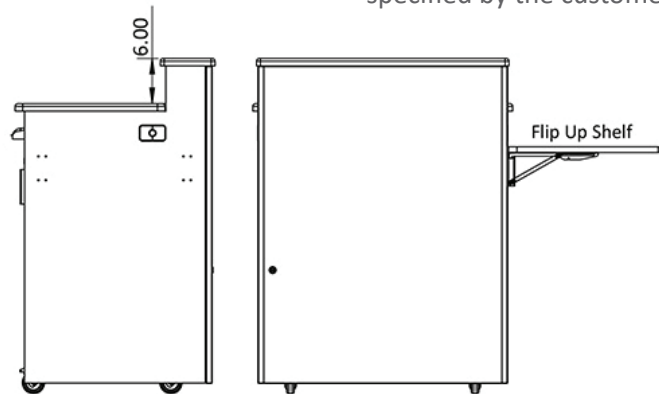
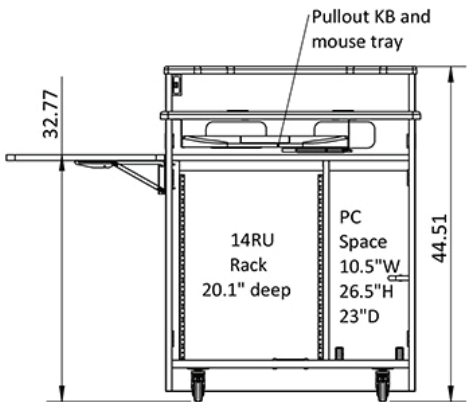
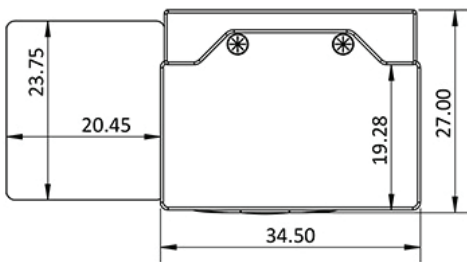
Model **PD3009** podium features a smaller footprint yet retains full size features with a divided interior configured with EIA compliant 14U rack rails on the left side and tower PC storage space on the right.

**Standard Features**

- Large 34.5" W x 25.5" D work surface to accommodate monitors, laptops and presentation documents
- Slide-out molded keyboard tray with mouse pad
- Folding side shelf - Black only
- 14U space 19" EIA compliant threaded rack rails (20.12" deep)
- PC/Storage compartment
- Quiet 120mm cooling fan
- Large rear door for equipment access
- Locking front doors
- Modern design with aluminum corner accents
- Heavy duty casters (2 locking)
- Many laminate finishes to choose from
- Ships assembled

**Options**

- **C900S/C900D** Single/Dual adjustable monitor arm
- **PLM1022** 10" - 24" Monitor mount
- **MM1232** 12" - 32" Monitor mount
- **MCB1925** 19" - 25" Monitor/camera bracket
- **FM3** Count down timer/clock
- **MIC-18** MX418 S/C Shure Gooseneck microphone
- **LIGHT-18** Littlite Gooseneck
- **PB** Six outlet power bar with 10 ft. cord
- **PC-PATCH** 2x 110AC, RJ45, Phone, 2xUSB
- **SF-PB3** Surface mounted 3-outlet 120V power bar
- **CUB3** Round cable well
- **CUB4** Black-B/Silver-S Power Panel
- **CUB5** Round cable well (Black or silver)
- **CUB8** Table top cable well
- **CHGQIW/B** Wireless charging station white or black
- **CHGQI-DNGL** Dongle Lightning, USB Type-C, Micro-USB. Requires CHGQIW/B
- **9107** Lacing bar (19" long)
- **SH-FL** Additional folding shelf on other side
- **RR14** 14U rear rack rails
- **9031/9041/9052** Metal shelves/drawer (check website)
- **LEV4AX4** 4x Levelers for non-mobile applications
- **CUSTOM CUTOUT** Cutouts for electronics or other items specified by the customer



**Specifications**

**Model:** PD3009  
**Width:** 35"  
**Depth:** 27"  
**Height:** 44.5"

**Finishes**



Other finishes are available. Check website.

The information contained in this drawing is the sole property of Audio Visual Furniture International. Any reproduction in part or as a whole without the written permission of Audio Visual Furniture International is prohibited. AVFI can build or modify stock configurations to suit customer specifications. Please contact us to discuss how this service can help meet your needs. Some quantity restrictions may apply. Specification subject to change without notice. Computers, cameras, monitors, etc. are shown to illustrate product usage and are not included unless otherwise noted.