

LEX17 Order Form

Date _____
 AVFI Sales REP _____
 Customer Signature _____

Quote No. _____
 Customer No. _____
 AVFI No. _____

Office Use Only

To generate your order form, please refer to the information provided below to insert the alphabetic and/or numeric code in the respective category boxes. Please note that without this filled out Order Form, your purchase **cannot** be processed.

1	2	3								4
Product Model	Finish	Chargeable Accessories (One Code Per Box)								Custom Cutouts
LEX17										

1 Choose Model Style (Front Panel)



Code **LEX17**

2 Choose Product Finish

Standard Finishes (Ships within 1-15 business days)



Optional Finishes (Ships within 20 business days)



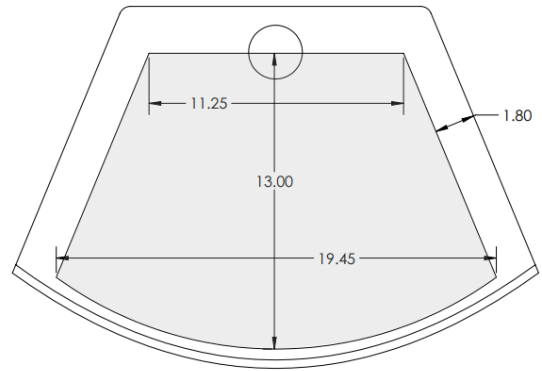
3 Chargeable Accessories (Check all that apply)

- Code **00** No Accessories _____
- * Code **D1** **MIC-18** MX418 S/C Microphone _____ Qty _____
- * Code **D2** **LIGHT-18** Gooseneck Light _____ Qty _____
- * Code **D3** **FM3** Timer/Clock _____ Qty _____
- Code **E1** **PB** 6 Outlet Power Bar _____ Qty _____
- * Code **E3** **CUB3** Round Cable Well _____ Qty _____
- * Code **E4** **SF-PB3** 3 Outlet Power Bar _____ Qty _____
- * Code **E5** **CUB5** Black Round Cable Well _____ Qty _____
- * Code **E7** **PC-PATCH** Power-Data Module _____ Qty _____
- * Code **EB** **CUB4B** Black Power Panel _____ Qty _____

* **Cutout Required** (Extra Charges will apply)

4 Custom Cutout Option (Extra charges will apply)

Please indicate custom cutout location on the drawing below



- Code **CO** No Custom Cutout
- Code **CC** Custom Cutout (Specify on Cutout Area Above)
- Cutout Area (1x – 13.5" W x 9.75" H)

Notes

CAD Drawings/Symbols
 CAD drawings are available by request at sales@vegroup.net

Comments (Please use this section to provide additional information)
