

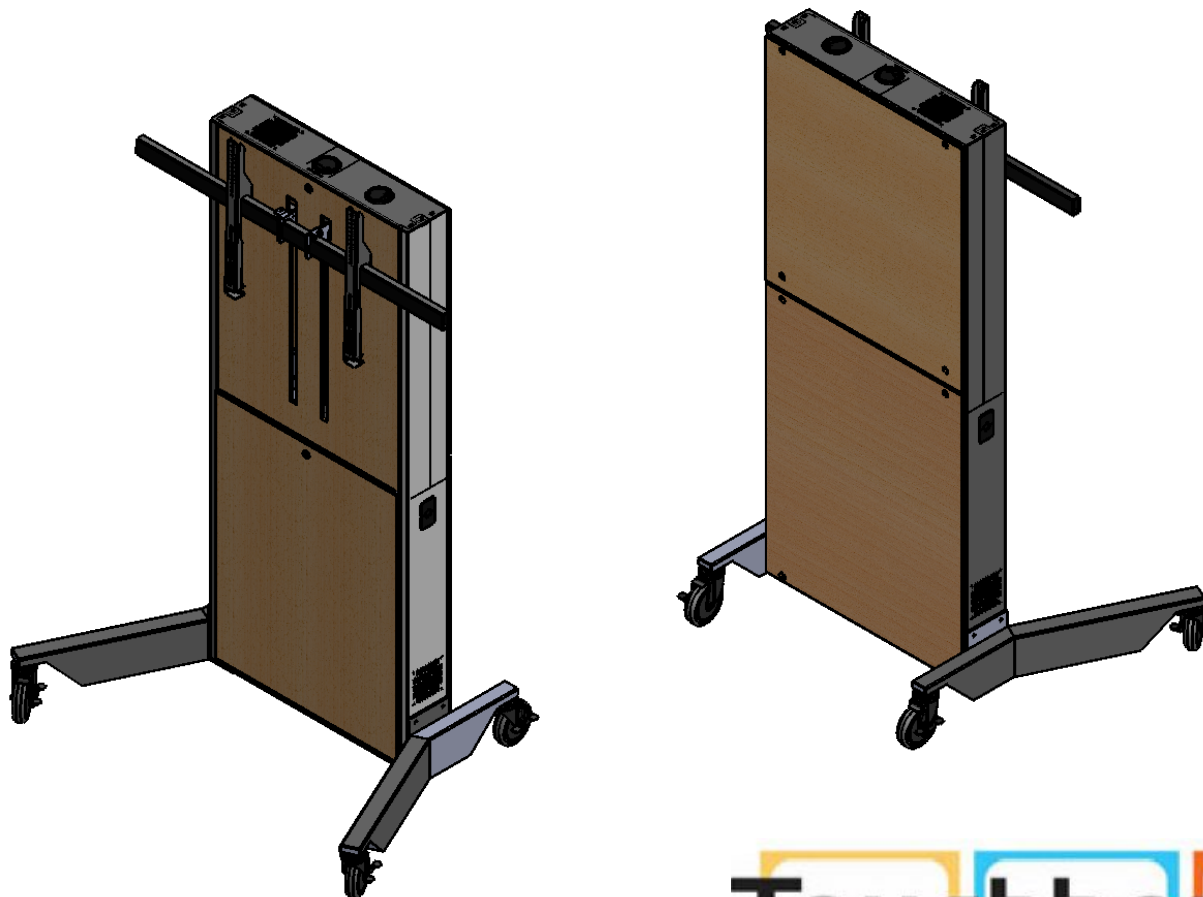
**AUDIO VISUAL
FURNITURE
International**

LFT-7000

Assembly and Setup Instructions

Note: If you cannot understand these instructions or are concerned about safety of the installation Contact a qualified contractor or contact AVFI at 1-877-834-3876.

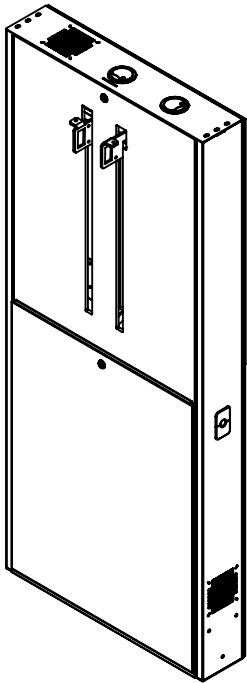
Confirm all hardware is included before you begin assembly.
Not all hardware supplied will be used depending on the manufacturer of your display/s.



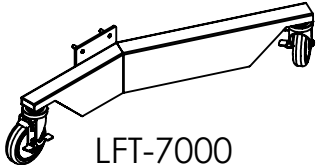
Touchboards

205 Westwood Ave, Long Branch, NJ 07740
Phone: 866-94 BOARDS (26273) / (732)-222-1511
Fax: (732)-222-7088 | E-mail: sales@touchboards.com

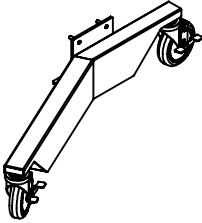
SUPPLIED PARTS



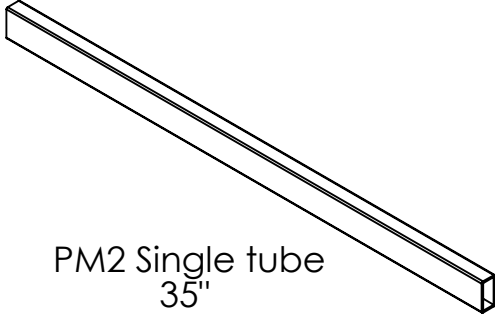
LFT-7000
Assembled Unit



LFT-7000
Right Leg
(1)



LFT-7000
Left Leg
(1)



PM2 Single tube
35"



TV Mount
(2)

SUPPLIED HARDWARE

M8 HEX NUT
(6)



Self Adhesive
clips on
remote
(1 pair)

1/2" Hex bolt
(2)

2.5" Grommet
(3)

Rectangular
Grommet
(2)

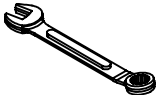
TV 32-52
Hardware Bag
(1)

1/2" spring
washer
(2)

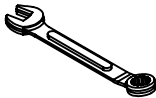
Lock set
(2)

TOOLS REQUIRED: (not included)

2.5



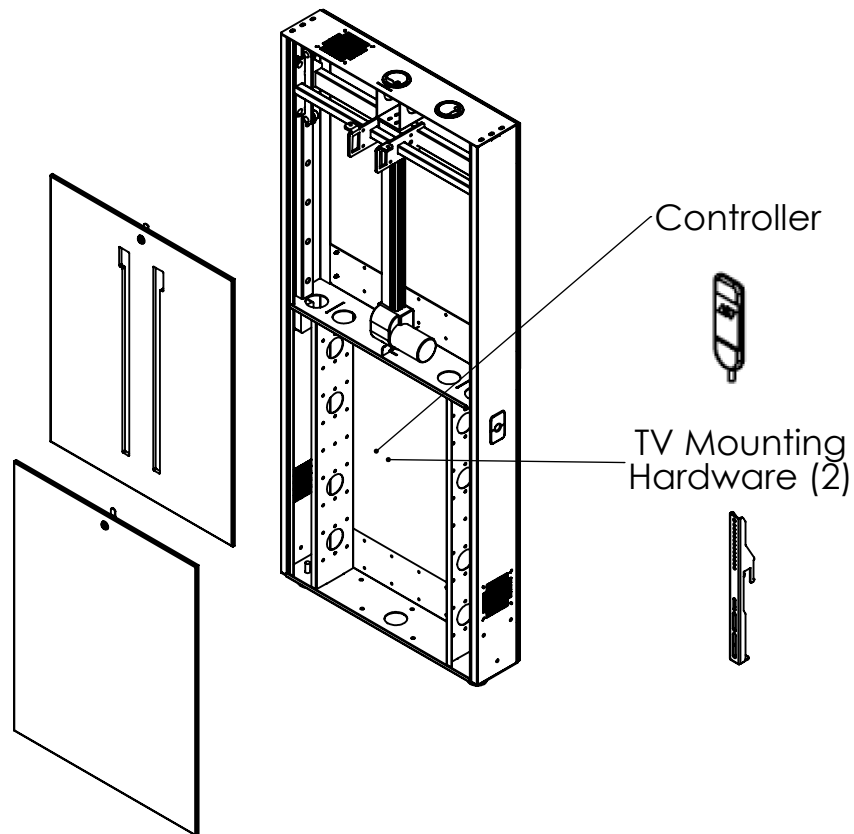
1/2" WRENCH



3/4" WRENCH

STEP 1:

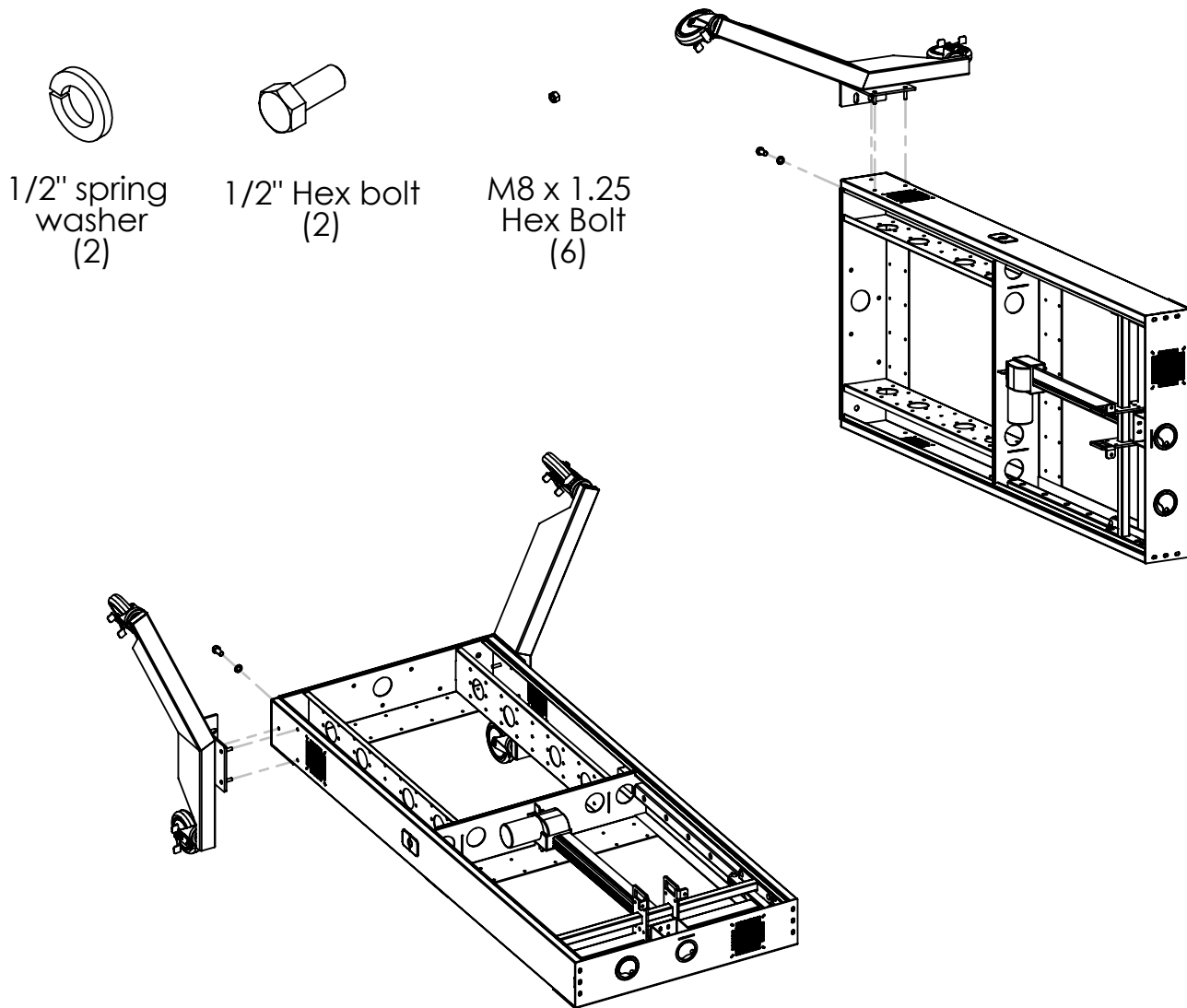
- (1) Stand the unit upright, lean the unit against the wall or have someone hold the unit securely
- (2) Use the keys provided to unlock top and bottom panels
- (3) Carefully remove each panel and place in safe location so they do not get damaged
- (4) Remove the remote and mounting hardware from inside the unit and place it with the panels



STEP 2:

- (1) Lay the unit on its side and ensure that it is secured before attaching the legs
- (2) With the base securely on its side fix either side leg to the base
- (3) Secure leg using the M8 nuts and a 1/2" wrench
- (4) Ensure that bolts are tight and leg is seated properly
- (5) Secure the 1/2" x 1" bolt into the bottom leg bracket and tighten into frame with 3/4" wrench

IMPORTANT: Shorter portion on the leg is directed to the rear of the lift



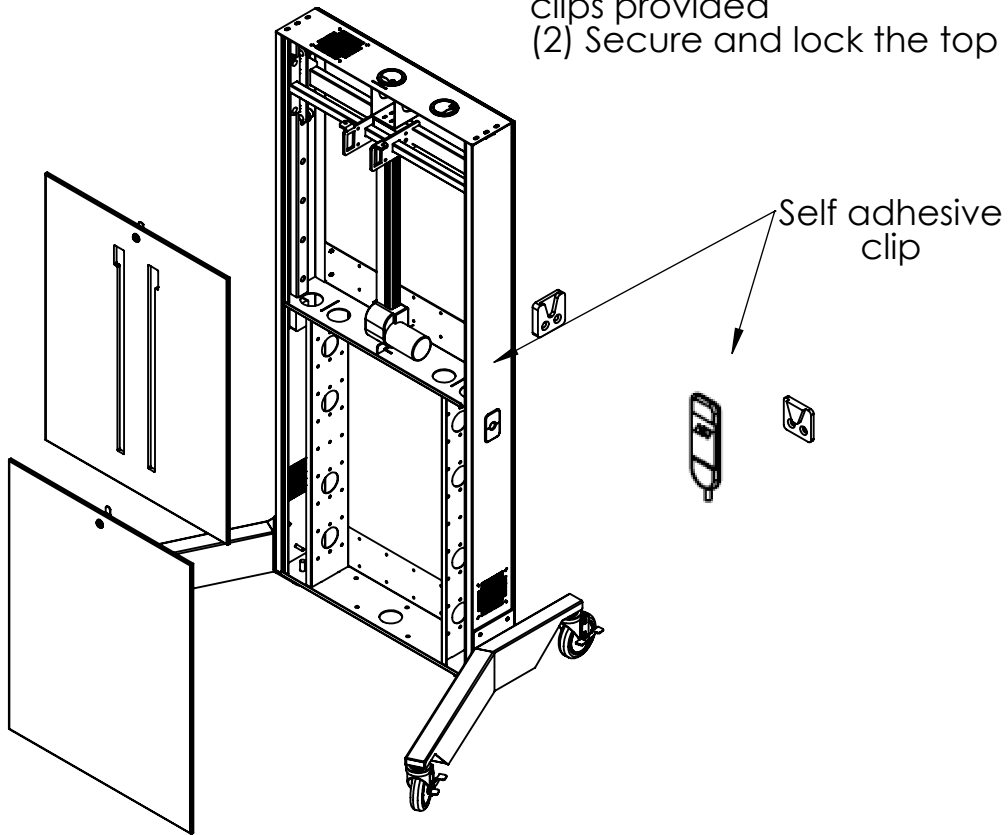
STEP 3:

- (1) Lower the lift on to its back balance and secure the lift to attach the opposite leg
- (2) Secure the leg using the M8 hex nuts and a 1/2" wrench
- (3) Secure the 1/2" x 1" bolt into the bottom leg bracket and tighten into frame with 3/4" wrench
- (4) Ensure the bolts are tight and leg is seated properly
- (5) Upright the unit

CAUTION: Lift is very heavy and requires atleast 2 persons to move around

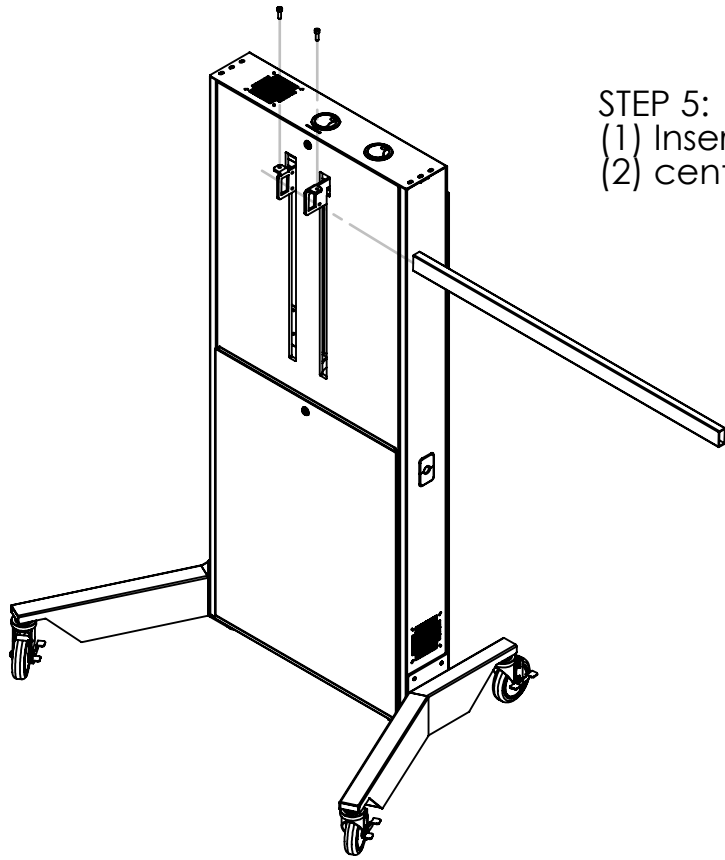
STEP 4:

- (1) Route the controller cable through the grommet and secure using the self adhesive clips provided
- (2) Secure and lock the top and bottom panels



This configuration on the LFT-7000 is complete and ready to receive the hardware.



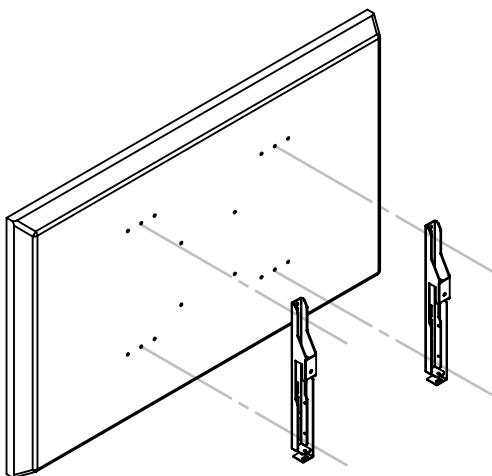
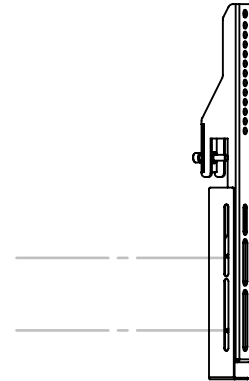


STEP 5:
(1) Insert mounting bar through the lift bracket
(2) centre the bar and secure with bolts



M8 Socket head
cap screw
(2)

STEP 6:
(1) before installing mounting brackets to your
TV remove the side lock by undoing the 3
bolts



STEP 7:
(1) Attatch Brackets to TV and secure tightly
before mounting



M8 Socket head
cap screw
(4)

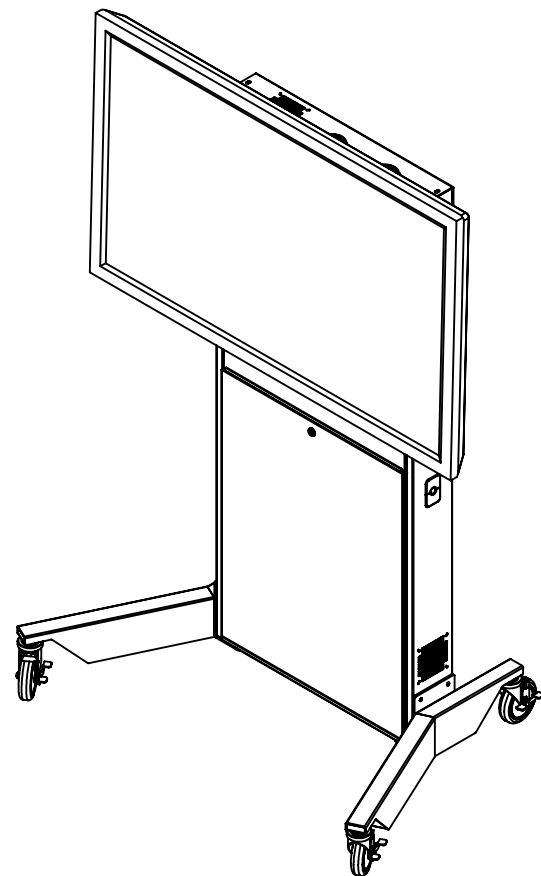
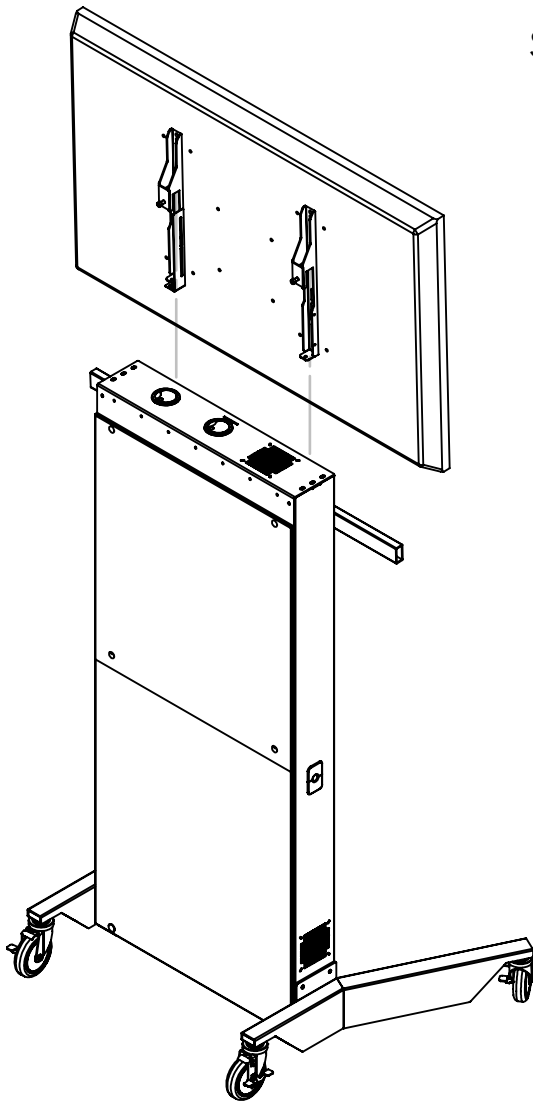
OR



M6 Socket head
cap screw
(4)

STEP 8:

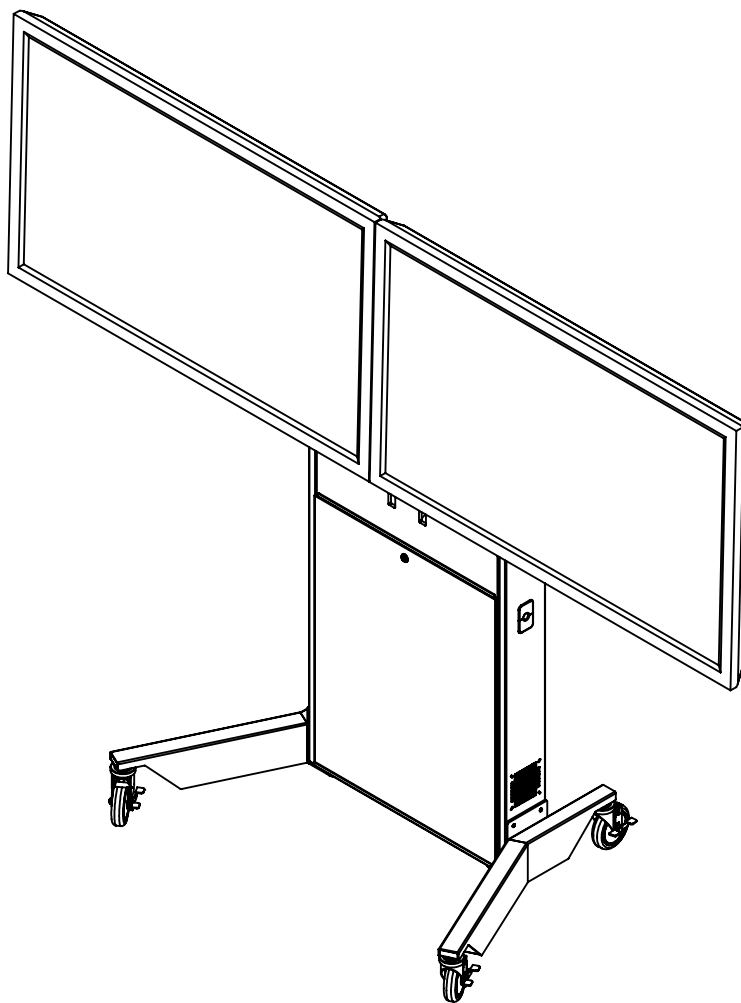
- (1) With assistance lift the TV into position on the mounting bar
- (2) Centre and secure to the bar



OPTIONAL

This unit can be configured for use with dual monitors, additional hardware required.

Hardware for this configuration can be purchased separately.



AUDIO VIDEO FURNITURE INTERNATIONAL

288 Don Hillock Drive Aurora , Ontario L4G 0G9 www.video-furn.com
Toll Free: 1-877-834-3876 Fax: 1-905-751-1488 Local:905-751-1459