

Date \_\_\_\_\_  
 AVFI Sales REP \_\_\_\_\_  
 Customer Signature \_\_\_\_\_

Quote No. \_\_\_\_\_  
 Customer No. \_\_\_\_\_  
 AVFI No. \_\_\_\_\_

Office Use Only

To generate your order form, please refer to the information provided below to insert the alphabetic and/or numeric code in the respective category boxes. Please note that without this filled out Order Form, your purchase **cannot** be processed.

1	2	3	4
Product Model	Finish	Chargeable Accessories (One Code Per Box)	Custom Cutouts
<b>PD3002</b>			

### 1 Product Model



Code **PD3002**  
(1X Interior Shelf + 10U Rack Rails)

### 2 Choose Product Finish

**Standard Finishes** (Ships within 1-15 business days)



Code **BCL**  
(Burma Cherry)



Code **BWL**  
(Brazilian Walnut)



Code **BKL**  
(Black)

**Optional Finishes** (Ships within 20 business days)



**MPL**



**ARL**



**BRL**



**CHL**



**WHL**



**STL**

### 3 Chargeable Accessories (Check all that apply)

- Code **00** No Accessories
- Code **A1** SH-FL Folding Side Shelf .....Qty
- Code **B1** 9031-1 1U Utility Metal Shelf .....Qty
- Code **B2** 9031-2 2U Utility Metal Shelf .....Qty
- Code **B3** 9031-3 3U Utility Metal Shelf .....Qty
- Code **B5** 9052-2 2U Sliding Metal Drawer .....Qty
- Code **B6** 9052-3 3U Sliding Metal Drawer .....Qty
- \* Code **D1** MIC-18 MX418 S/C Microphone .....Qty
- \* Code **D2** LIGHT-18 Gooseneck Light .....Qty
- \* Code **D3** FM3 Timer/Clock .....Qty
- Code **D4** FAN Quiet Cooling Fan .....Qty
- Code **E1** PB 6 Outlet Power Bar .....Qty
- \* Code **E3** CUB3 Round Cable Well .....Qty
- \* Code **E4** SF-PB3 3 Outlet Power Bar .....Qty
- \* Code **E5** CUB5 Black Round Cable Well .....Qty
- \* Code **E6** CUB5 Silver Round Cable Well .....Qty
- \* Code **E7** PC-PATCH Power-Data Module .....Qty
- \* Code **E8** CUB8 Table Top Cable Well .....Qty
- \* Code **EA** CUB4S Silver Power Panel .....Qty
- \* Code **EB** CUB4B Black Power Panel .....Qty
- \* Code **EC** CHGQIW Wireless Charging Station White .....Qty
- \* Code **EF** CHGQIB Wireless Charging Station Black .....Qty
- \*\* Code **ED** CHGQI-DNGL Dongle Lightning .....Qty
- Code **H4** RR10 10U Set of Rack Rails (Rear) .....Qty
- Code **J1** 9107 Lacing Bar .....Qty
- Code **K1** C900S Single Monitor Arm .....Qty
- Code **K3** PLM1022 Monitor Mount .....Qty
- Code **K4** MM1232 Monitor Mount .....Qty
- Code **M5** MCB1925 Monitor/Camera Bracket .....Qty
- Code **Q1** LEV4A4X 4x Levelers for Non-Mobile Applications .....Qty

### Comments (Please use this section to provide additional information)

---

---

---

---

---

---

---

---

---

---

### Notes

**CAD Drawings/Symbols**  
 CAD drawings are available by request at sales@vegroup.net

**Custom Cutouts**  
 Estimated lead time within 20 business days from receipt of P.O. and signed drawings.

**Customizations**  
 Modifications to design such as shape and/or size variations have to be quoted on a per case basis and are applicable for quantities of 10+ only.

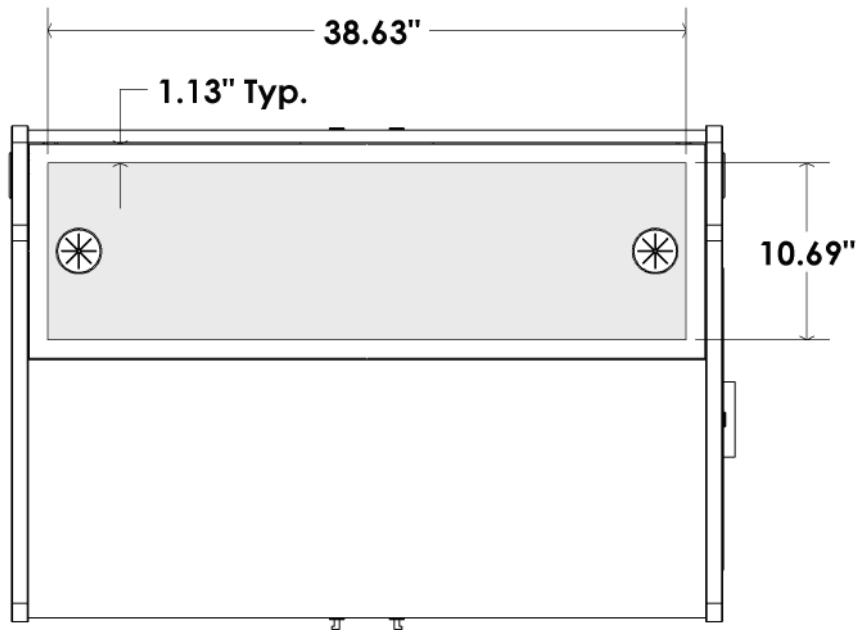
Custom Cutout Option on Page 2

\* Cutout Required (Extra Charges will apply)  
 \*\* Requires CHGQIW/B accessory § Only on Flat Cutout

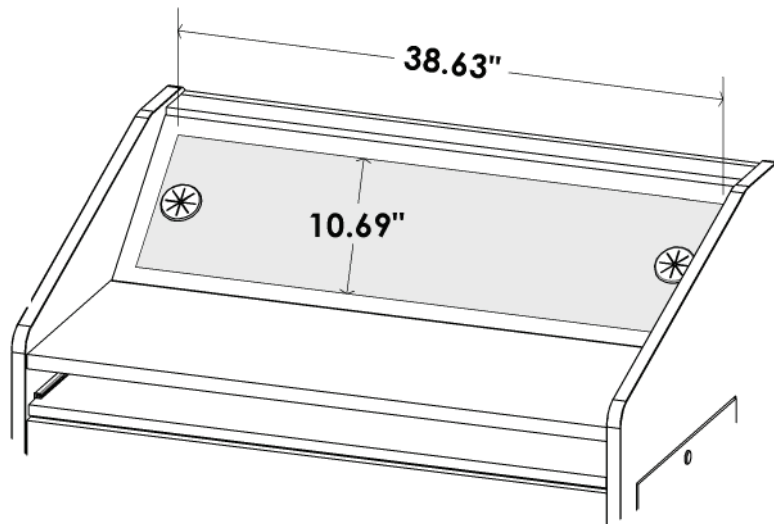
Please indicate custom cutout location on the drawing(s) below

4 Custom Cutout Option (Extra charges will apply)

Top Rear Removable Panel  
cutout in flat position



Same  
Top Rear Removable Panel  
cutout in a wedge position  
(see assembly instructions)



Code 0 No Custom Cutout

Code 1 Custom Cutout (Specify on Cutout Area Above)

Cutout Area - Flat or Wedge Position (38.63"W X 10.69"D)