

Date _____
 AVFI Sales REP _____
 Customer Signature _____

Quote No. _____
 Customer No. _____
 AVFI No. _____

Office Use Only

To generate your order form, please refer to the information provided below to insert the alphabetic and/or numeric code in the respective category boxes. Please note that without this filled out Order Form, your purchase **cannot** be processed.

1	2	3	4
Product Model	Finish	Chargeable Accessories (One Code Per Box)	Custom Cutouts
PD3003			

1 Product Model



Code **PD3003**

2 Choose Product Finish

Standard Finishes (Ships within 1-15 business days)



Code **BCL**
(Burma Cherry)



Code **BWL**
(Brazilian Walnut)



Code **BKL**
(Black)

Optional Finishes (Ships within 20 business days)



MPL



ARL



BRL



CHL



WHL



STL

3 Chargeable Accessories (Check all that apply)

Code 00	No Accessories	_____
Code A1	SH-FL Additional Folding Side Shelf	_____ Qty
Code A3	SH-LE Additional Interior Shelf	_____ Qty
Code B1	9031-1 1U Utility Metal Shelf (Rack required)	_____ Qty
Code B2	9031-2 2U Utility Metal Shelf (Rack required)	_____ Qty
Code B3	9031-3 3U Utility Metal Shelf (Rack required)	_____ Qty
Code B4	9041 Sliding Metal Shelf(Front+Rear Rack required)	_____ Qty
Code B5	9052-2 2U Sliding Metal Drawer(Rack required)	_____ Qty
Code B6	9052-3 3U Sliding Metal Drawer(Rack required)	_____ Qty
Code C3	CNL28 Removable Console	_____ Qty
* Code D1	MIC-18 MX418 S/C Microphone	_____ Qty
* Code D2	LIGHT-18 Gooseneck Light	_____ Qty
* Code D3	FM3 Timer/Clock	_____ Qty
Code D4	FAN Quiet Cooling Fan	_____ Qty
Code E1	PB 6 Outlet Power Bar	_____ Qty
* Code E3	CUB3 Round Cable Well	_____ Qty
* Code E4	SF-PB3 3 Outlet Power Bar	_____ Qty
* Code E5	CUB5 Black Round Cable Well	_____ Qty
* Code E6	CUB5 Silver Round Cable Well	_____ Qty
* Code E7	PC-PATCH Power-Data Module	_____ Qty
* Code E8	CUB8 Table Top Cable Well	_____ Qty
* Code EA	CUB4S Silver Power Panel	_____ Qty
* Code EB	CUB4B Black Power Panel	_____ Qty
* Code EC	CHGQIW Wireless Charging Station White	_____ Qty
* Code EF	CHGQIB Wireless Charging Station Black	_____ Qty
* Code ED	CHGQI-DNGL Dongle Lightning	_____ Qty
Code H2	RMT14 14U Rack Frame (Replaces interior shelf)	_____ Qty
Code J1	9107 Lacing Bar	_____ Qty
Code J4	DIR9200-10 10U Rack Module	_____ Qty
Code J5	DIR9200-12 12U Rack Module	_____ Qty
Code K1	C900S Single Monitor Arm	_____ Qty
Code K2	C900D Dual Monitor Arm	_____ Qty
Code K3	PLM1022 Monitor Mount	_____ Qty
Code K4	MM1232 Monitor Mount	_____ Qty
Code M5	MCB1925 Monitor/Camera Bracket	_____ Qty
Code Q1	LEV4A4X 4x Levelers for Non-Mobile Applications	_____ Qty

Comments (Please use this section to provide additional information)

Notes

CAD Drawings/Symbols
 CAD drawings are available by request at sales@veggroup.net

Custom Cutouts
 Estimated lead time within 20 business days from receipt of P.O. and signed drawings.

Customizations
 Modifications to design such as shape and/or size variations have to be quoted on a per case basis and are applicable for quantities of 10+ only.

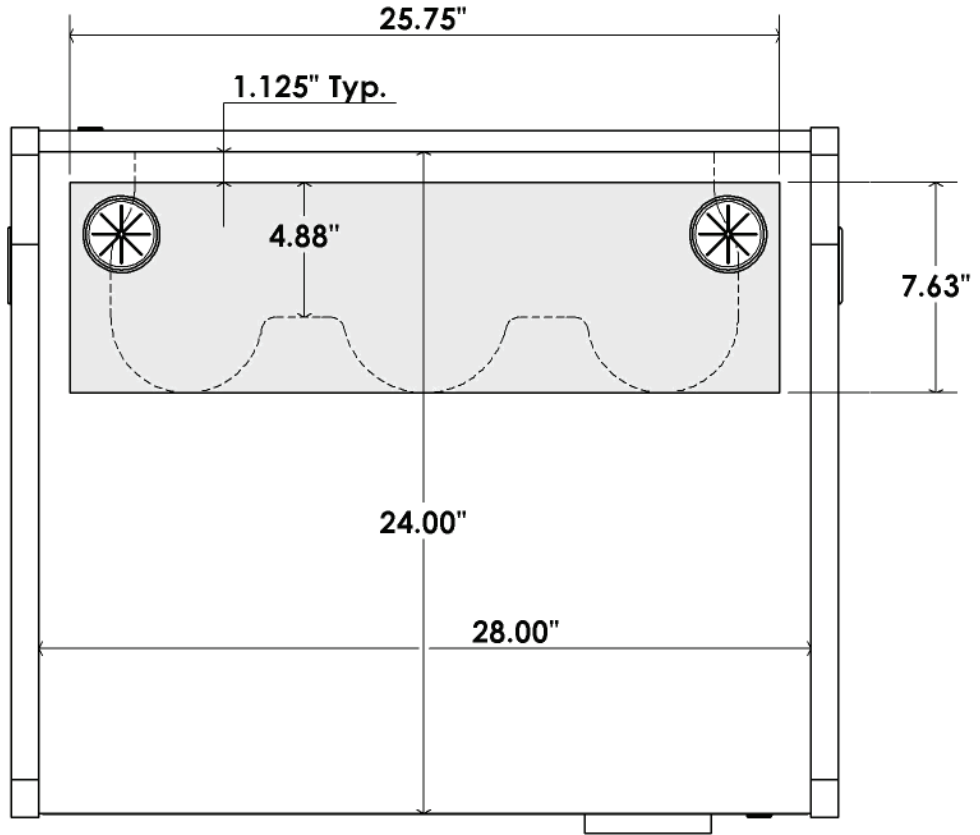
Custom Cutout Option on Page 2

* Cutout Required (Extra Charges will apply) ** Requires CHGQIW/B accessory

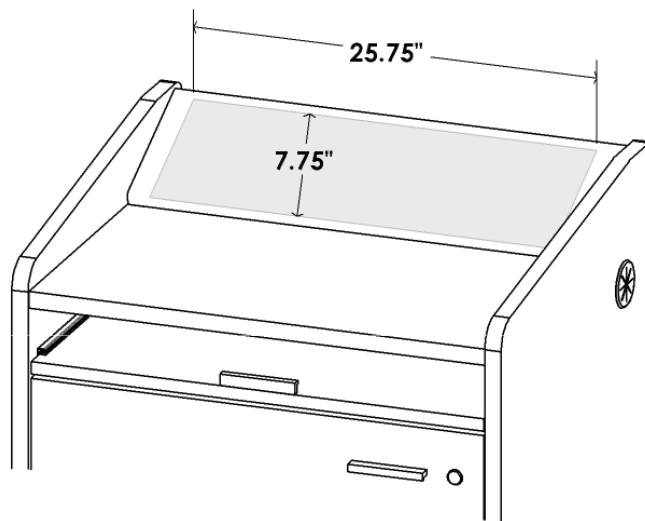
Please indicate custom cutout location on the drawing(s) below

4 Custom Cutout Option (Extra charges will apply)

Flat Surface
cutout



Console CNL28
cutout



Code **CO** No Custom Cutout

Code **CC** Custom Cutout (Specify on Cutout Area Above)

Cutout Area **Flat Surface** (25.75"W X 7.63"D)/**Console CNL28** (25.75"W X 7.75"D)