

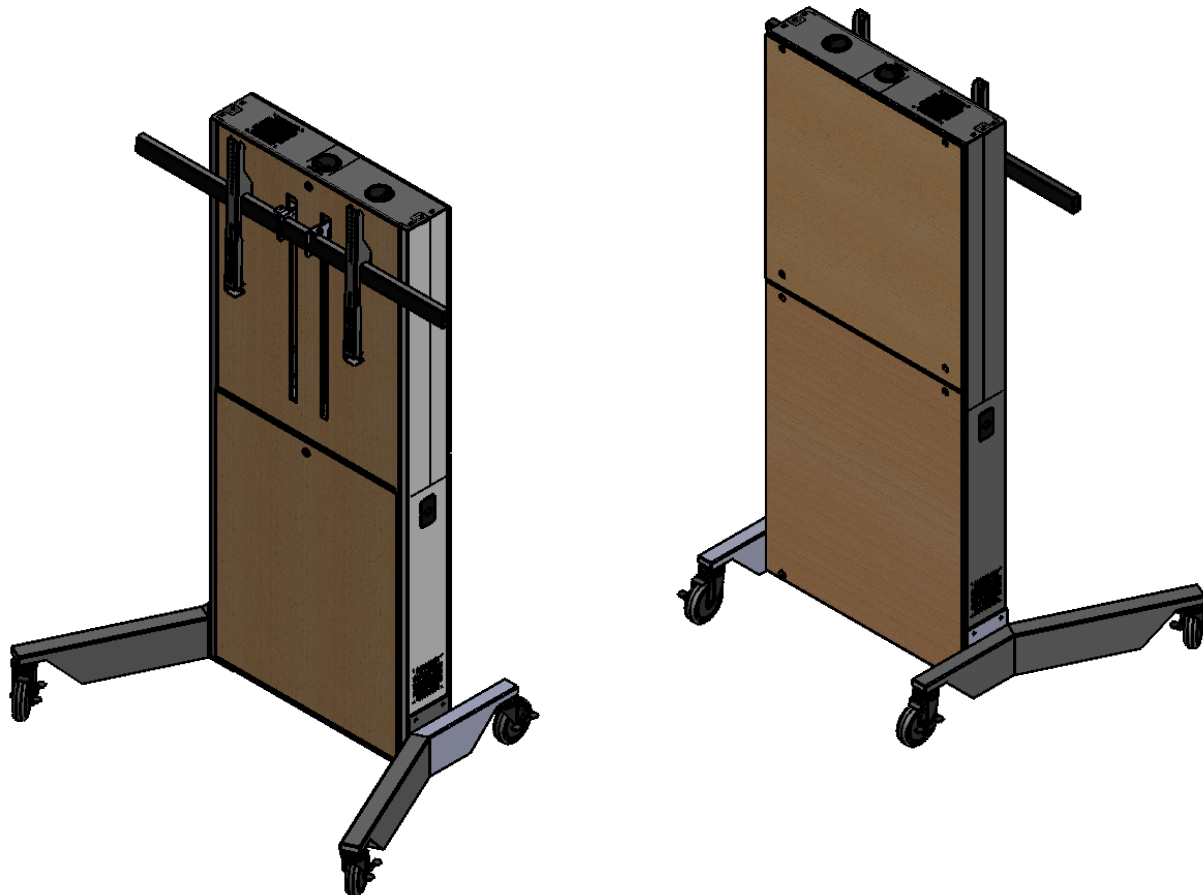
**AUDIO VISUAL  
FURNITURE  
International**

# LFT-7000

## Assembly and Setup Instructions

**Note:** If you cannot understand these instructions or are concerned about safety of the installation Contact a qualified contractor or contact AVFI at 1-877-834-3876.

Confirm all hardware is included before you begin assembly.  
Not all hardware supplied will be used depending on the manufacturer of your display/s.

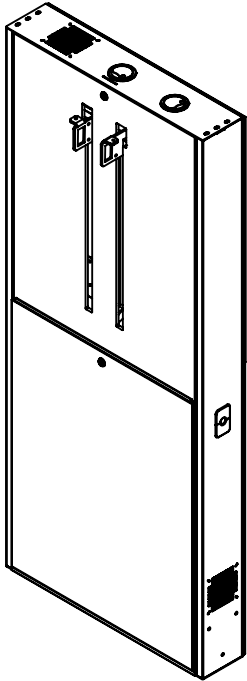


---

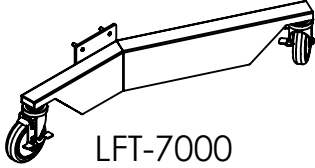
**AUDIO VIDEO FURNITURE INTERNATIONAL**

288 Don Hillock Drive Aurora , Ontario L4G 0G9 [www.video-furn.com](http://www.video-furn.com)  
Toll Free: 1-877-834-3876 Fax: 1-905-751-1488 Local:905-751-1459

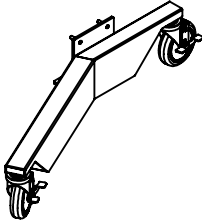
SUPPLIED PARTS



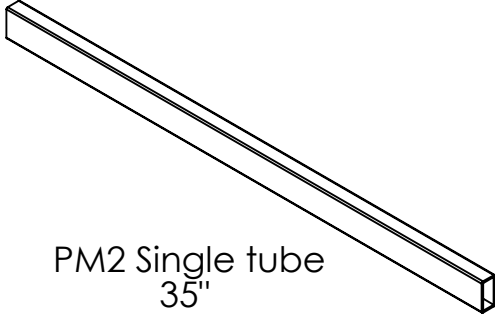
LFT-7000  
Assembled Unit



LFT-7000  
Right Leg  
(1)



LFT-7000  
Left Leg  
(1)



PM2 Single tube  
35"



TV Mount  
(2)

SUPPLIED HARDWARE

M8 HEX NUT  
(6)



Self Adhesive  
clips on  
remote  
(1 pair)

1/2" Hex bolt  
(2)

2.5" Grommet  
(3)

Rectangular  
Grommet  
(2)

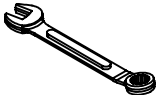
TV 32-52  
Hardware Bag  
(1)

1/2" spring  
washer  
(2)

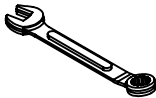
Lock set  
(2)

TOOLS REQUIRED: (not included)

2.5



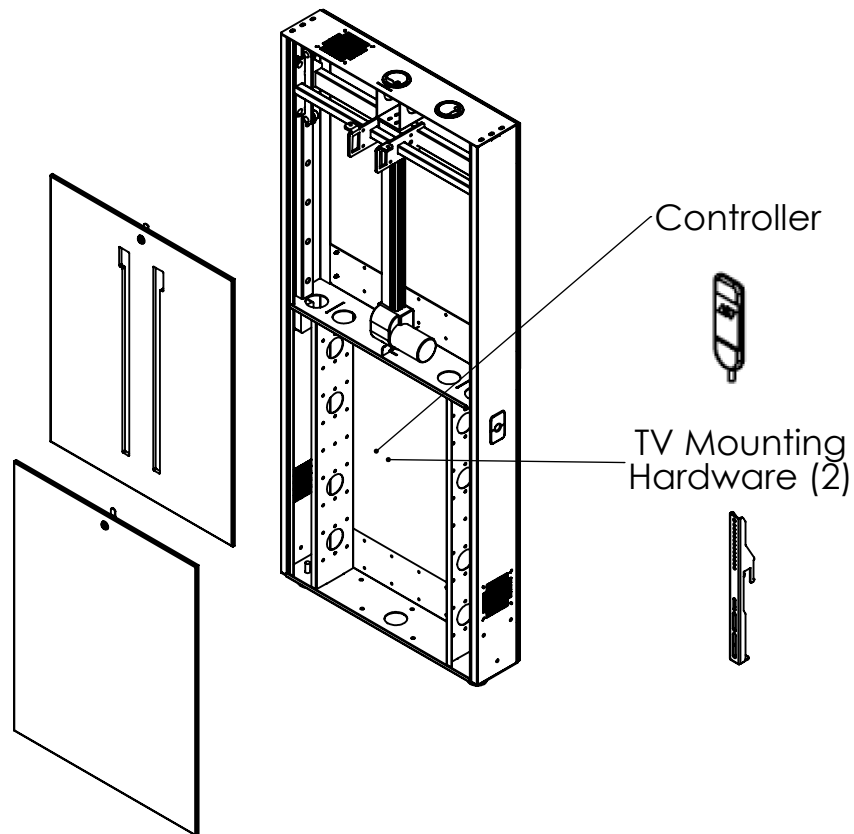
1/2" WRENCH



3/4" WRENCH

STEP 1:

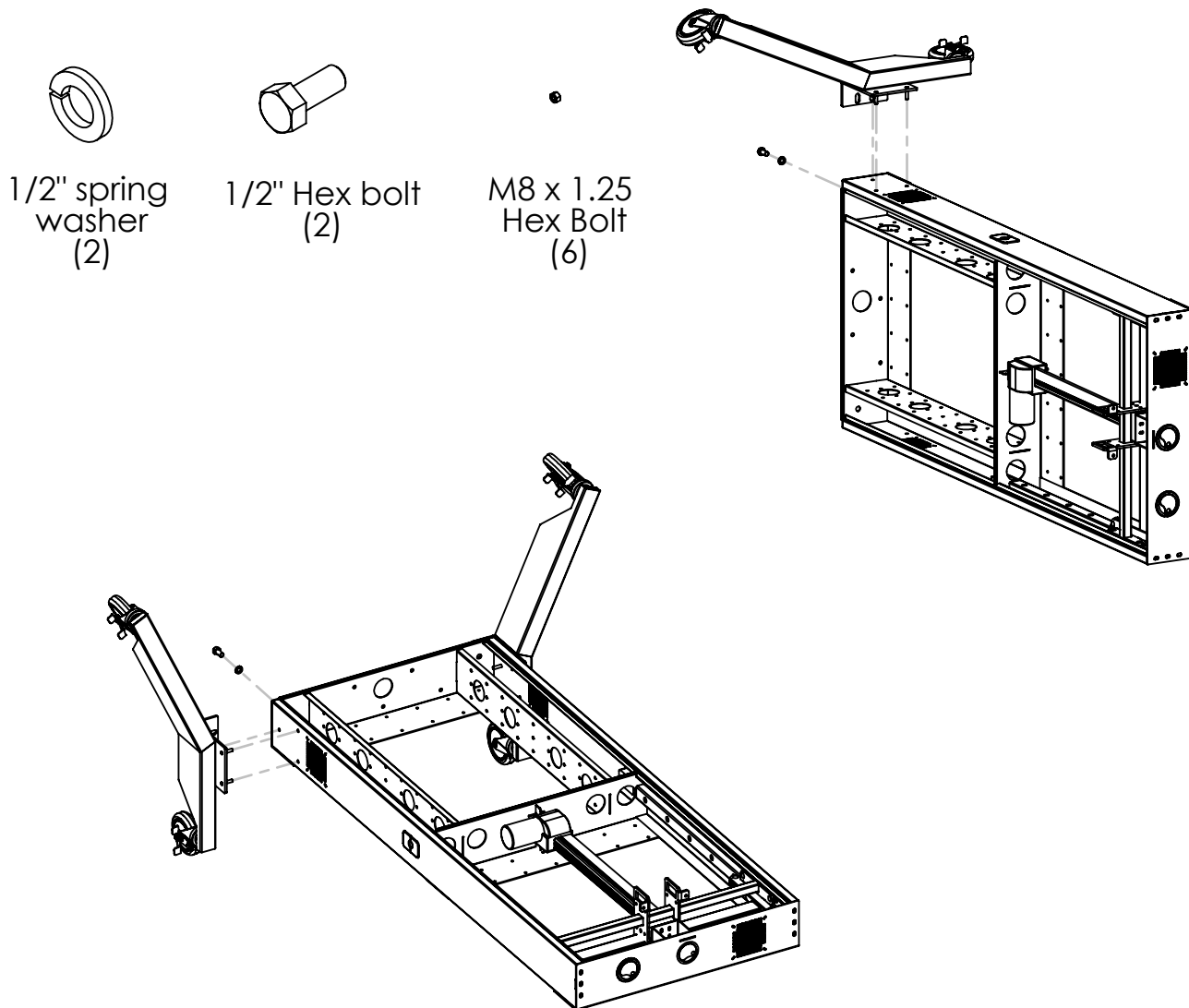
- (1) Stand the unit upright, lean the unit against the wall or have someone hold the unit securely
- (2) Use the keys provided to unlock top and bottom panels
- (3) Carefully remove each panel and place in safe location so they do not get damaged
- (4) Remove the remote and mounting hardware from inside the unit and place it with the panels



## STEP 2:

- (1) Lay the unit on its side and ensure that it is secured before attaching the legs
- (2) With the base securely on its side fix either side leg to the base
- (3) Secure leg using the M8 nuts and a 1/2" wrench
- (4) Ensure that bolts are tight and leg is seated properly
- (5) Secure the 1/2" x 1" bolt into the bottom leg bracket and tighten into frame with 3/4" wrench

IMPORTANT: Shorter portion on the leg is directed to the rear of the lift



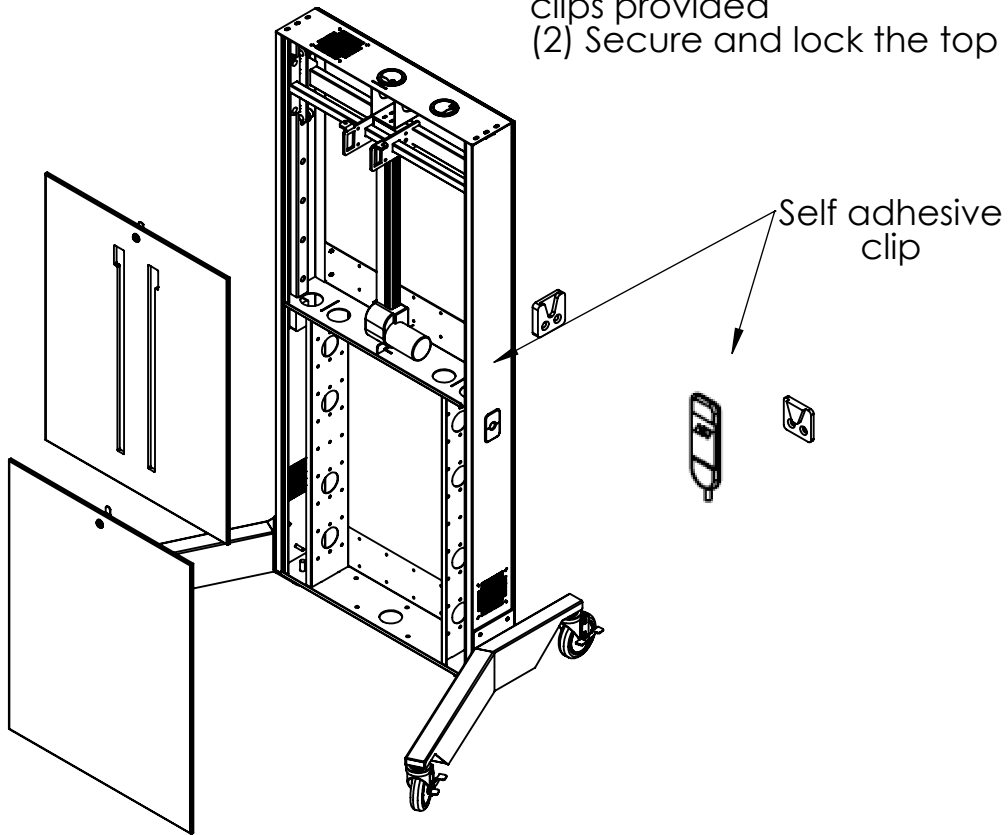
## STEP 3:

- (1) Lower the lift on to its back balance and secure the lift to attach the opposite leg
- (2) Secure the leg using the M8 hex nuts and a 1/2" wrench
- (3) Secure the 1/2" x 1" bolt into the bottom leg bracket and tighten into frame with 3/4" wrench
- (4) Ensure the bolts are tight and leg is seated properly
- (5) Upright the unit

CAUTION: Lift is very heavy and requires atleast 2 persons to move around

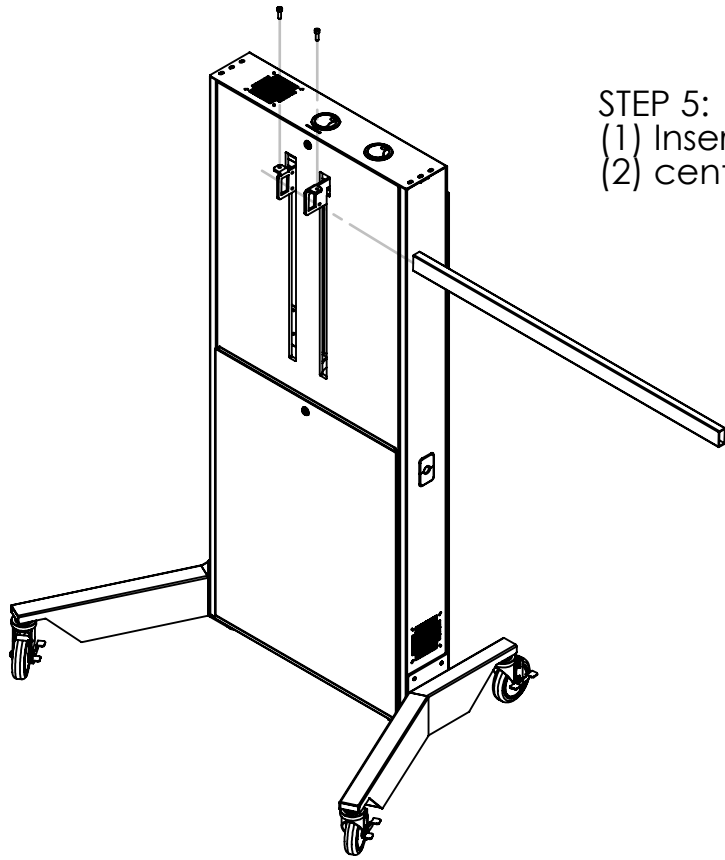
STEP 4:

- (1) Route the controller cable through the grommet and secure using the self adhesive clips provided
- (2) Secure and lock the top and bottom panels



This configuration on the LFT-7000 is complete and ready to receive the hardware.



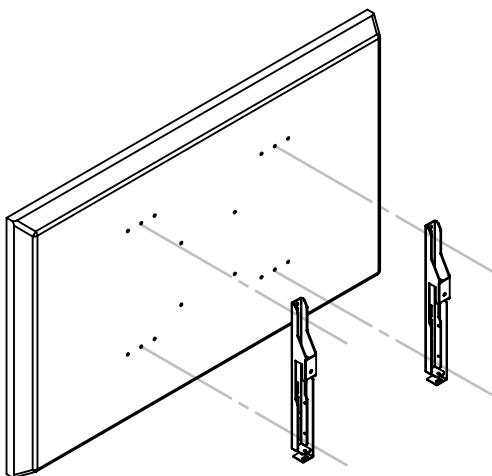
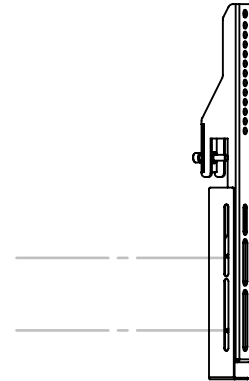


STEP 5:  
(1) Insert mounting bar through the lift bracket  
(2) centre the bar and secure with bolts



M8 Socket head  
cap screw  
(2)

STEP 6:  
(1) before installing mounting brackets to your  
TV remove the side lock by undoing the 3  
bolts



STEP 7:  
(1) Attatch Brackets to TV and secure tightly  
before mounting



M8 Socket head  
cap screw  
(4)

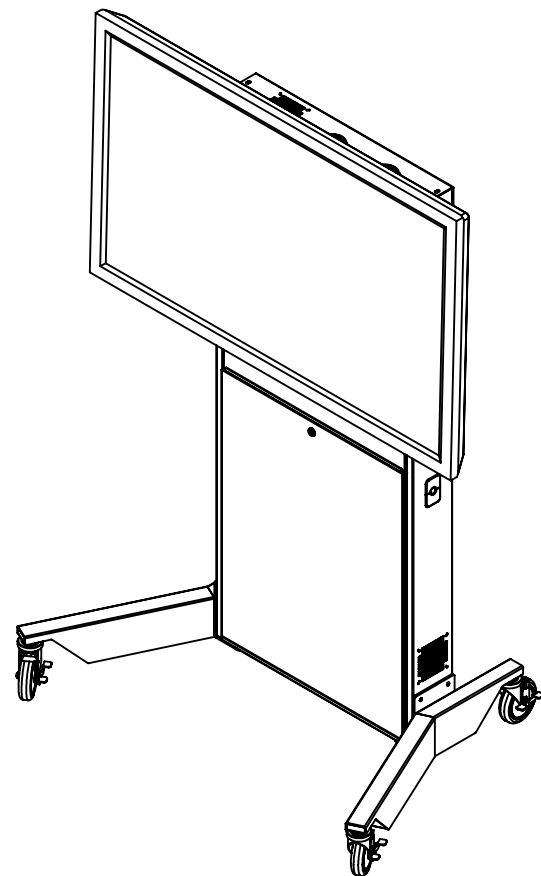
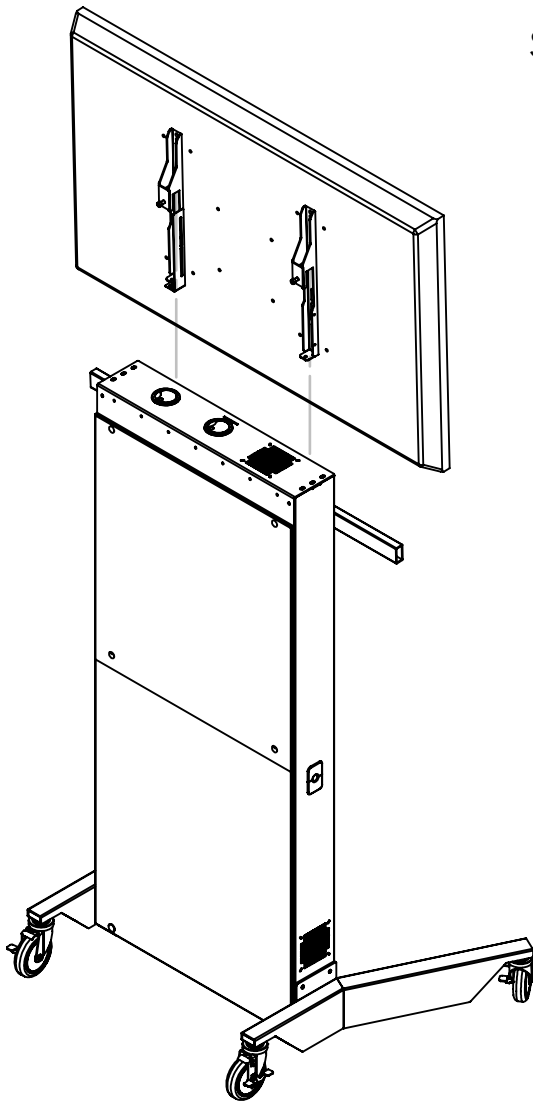
OR



M6 Socket head  
cap screw  
(4)

STEP 8:

- (1) With assistance lift the TV into position on the mounting bar
- (2) Centre and secure to the bar



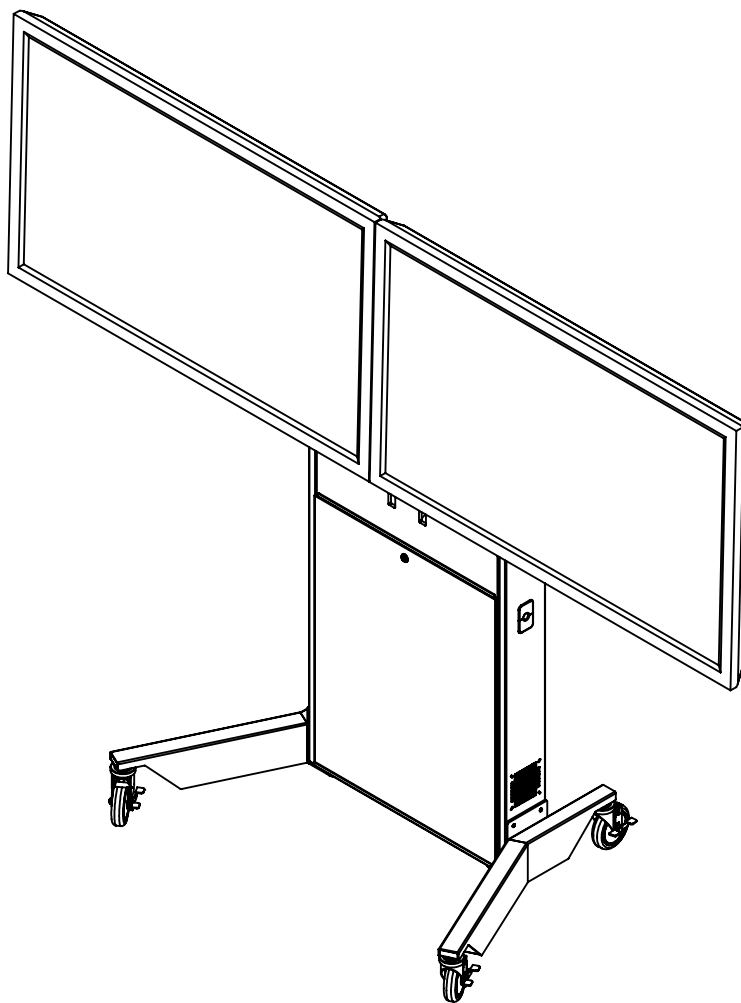
---

**AUDIO VIDEO FURNITURE INTERNATIONAL**

# OPTIONAL

This unit can be configured for use with dual monitors, additional hardware required.

Hardware for this configuration can be purchased separately.



---

## AUDIO VIDEO FURNITURE INTERNATIONAL

288 Don Hillock Drive Aurora , Ontario L4G 0G9 [www.video-furn.com](http://www.video-furn.com)  
Toll Free: 1-877-834-3876 Fax: 1-905-751-1488 Local:905-751-1459