



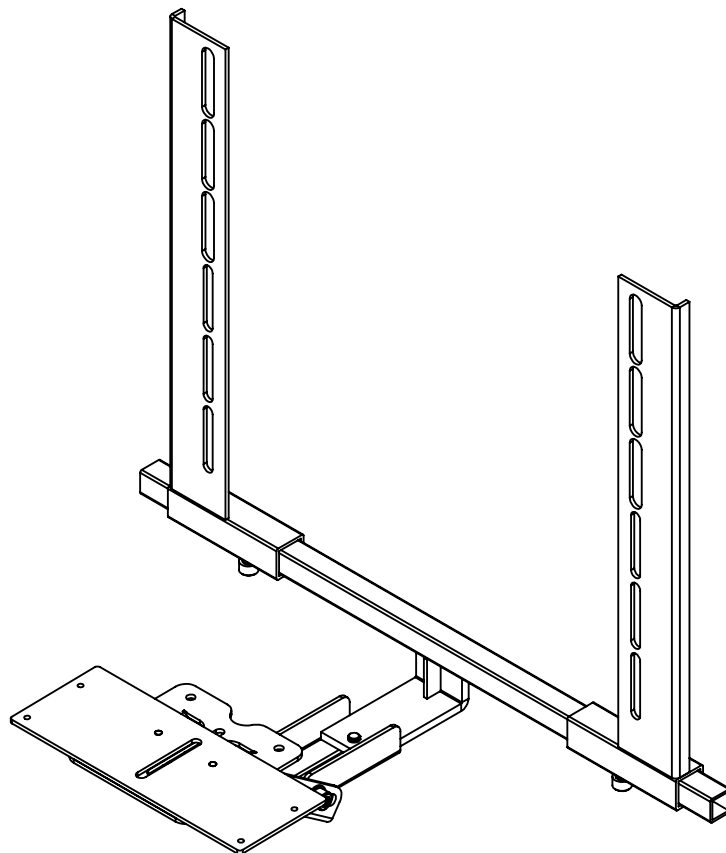
# CBB-TV CAMERA BRACKET

## Assembly and Setup Instructions

VERSION 0.0

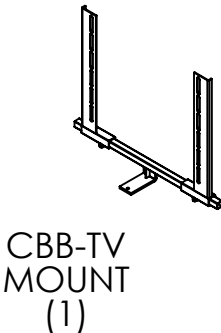
**Note:** If you cannot understand these instructions or are concerned about safety of the installation Contact a qualified contractor or contact AVFI at 1-877-834-3876.

Confirm all hardware is included before you begin assembly.  
Not all hardware supplied will be used depending on the manufacturer of your display/s.



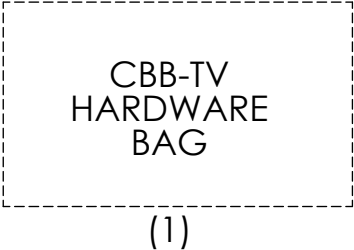
SUPPLIED PARTS

---



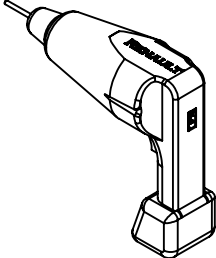
SUPPLIED HARDWARE

---



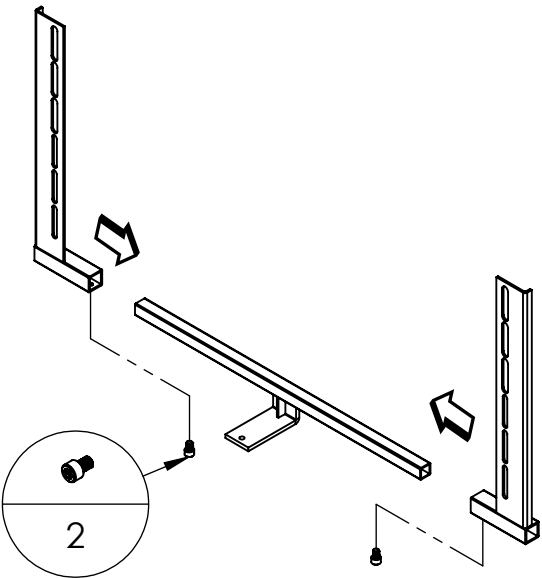
REQUIRED TOOLS (not included)

---



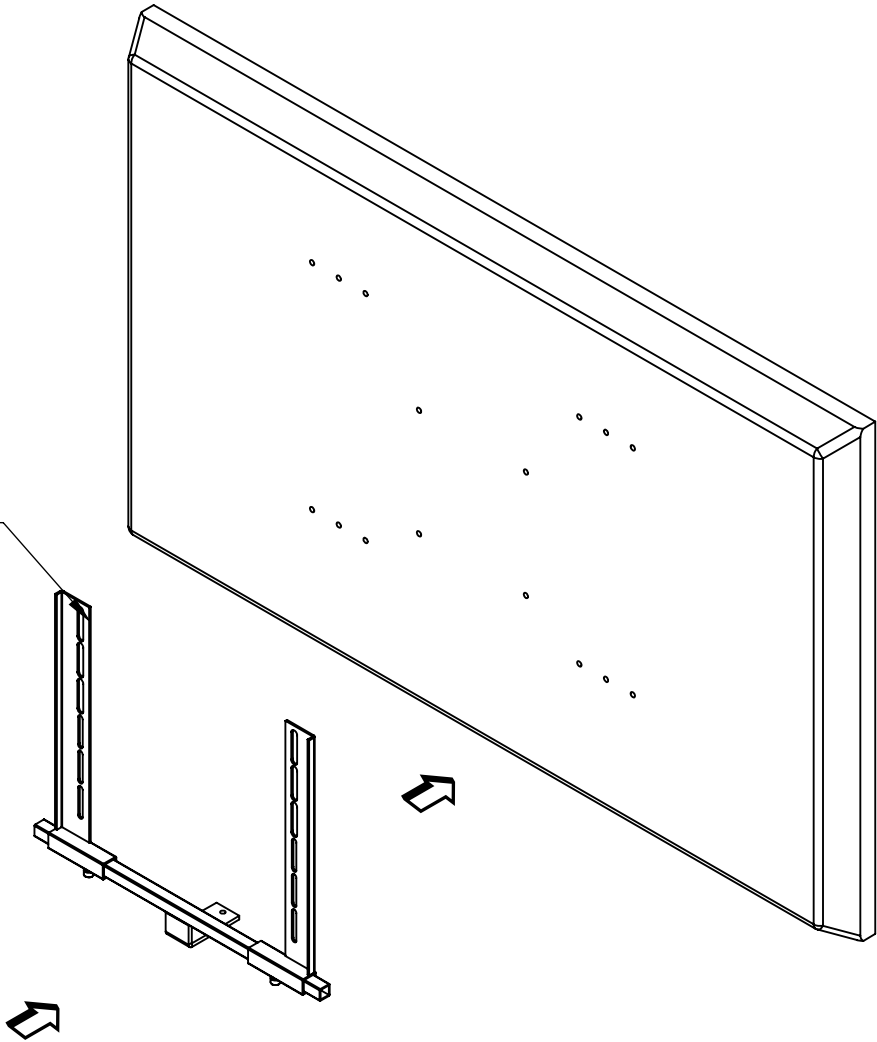
Cordless drill  
w/ #2 Phillips (+)  
bit

1



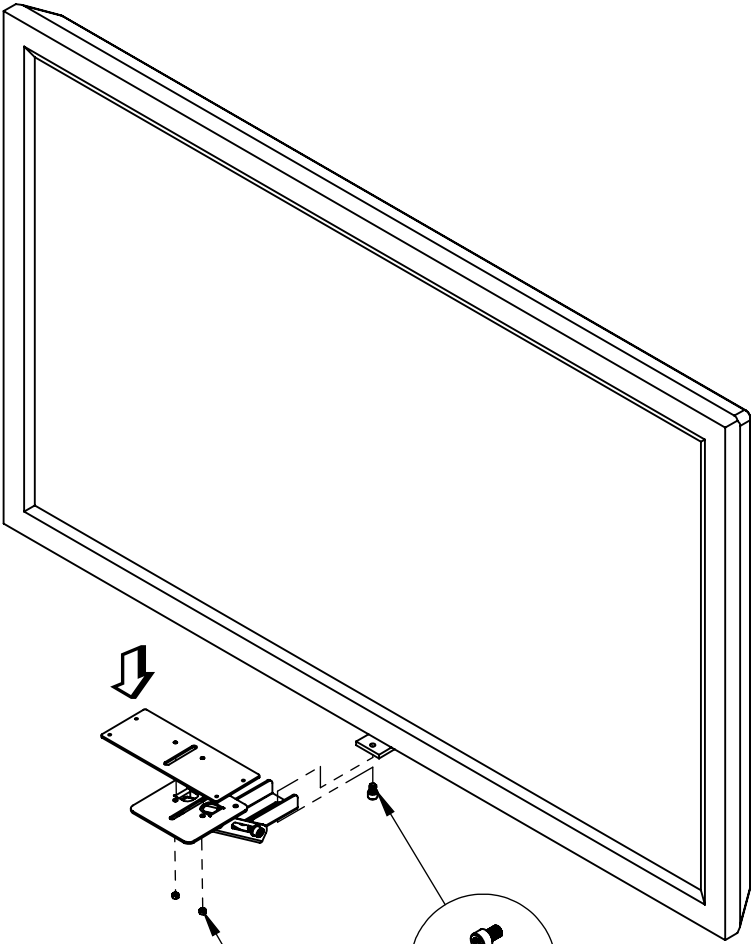
2

Mount to TV using existing hardware



PM2\_3 - CBB - TV

3



4

