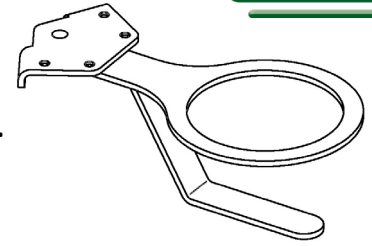
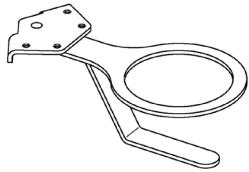


## CHLD245 Cup Holder

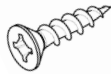
This document shows how to install the CHLD245 Cup Holder under a top panel or shelf.  
**Note:** If you cannot understand these instructions or are concerned about safety of the installation contact a qualified contractor or contact AVFI at 1-877-834-3876



### Supplied Parts and Hardware

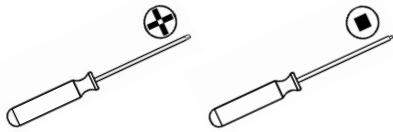


CHLD245 Cup Holder (1)



3/4" Flat Head Screw (4)

### Tools required



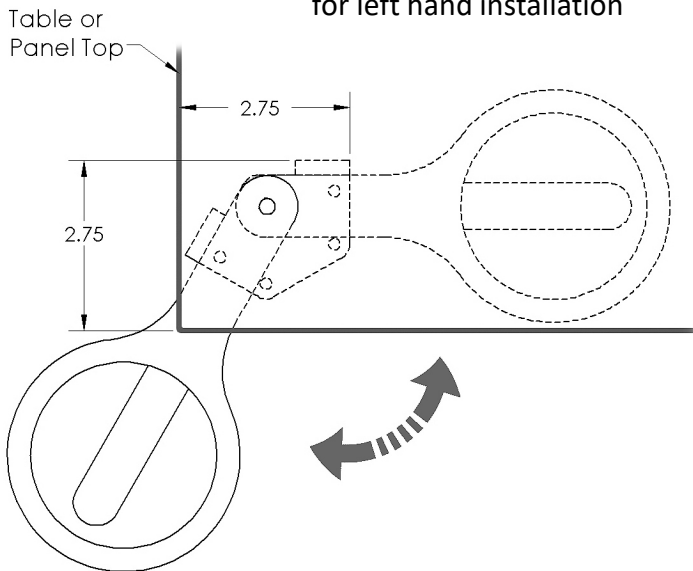
Phillips or Square #2 screwdriver



Power Drill

**1** Follow diagram below to install in the desired position and mark holes for screws.

Recommended position  
for left hand installation



Recommended position  
for right hand installation

