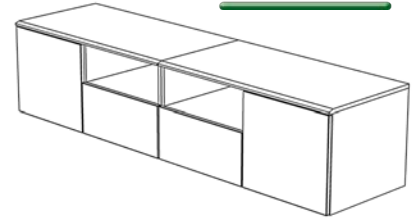
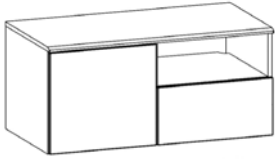


## CR4HW Wall Mounted Credenza

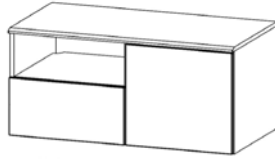
This document shows installation of the CR4HW 2-Unit Wall Mounted Credenza. Credenzas can be mounted individually or side by side depending on the application. **Note: If you cannot understand these instructions or are concerned about safety of the installation contact a qualified contractor or contact AVFI at 1-877-834-3876**



### Supplied Parts



Left Hand  
Wall Mounted Credenza



Right Hand  
Wall Mounted Unit

### Supplied Hardware



Washer  
(8)



Lag Shield  
(8)



Hex Bolt  
(8)



Lag Bolt  
(8)



Toggle Anchor  
(8)

### Tools required



Pencil



Stud Finder if Drywall



Power Drill



1/4" (7mm)  
drill bit



1/2" (13mm)  
Masonry Bit

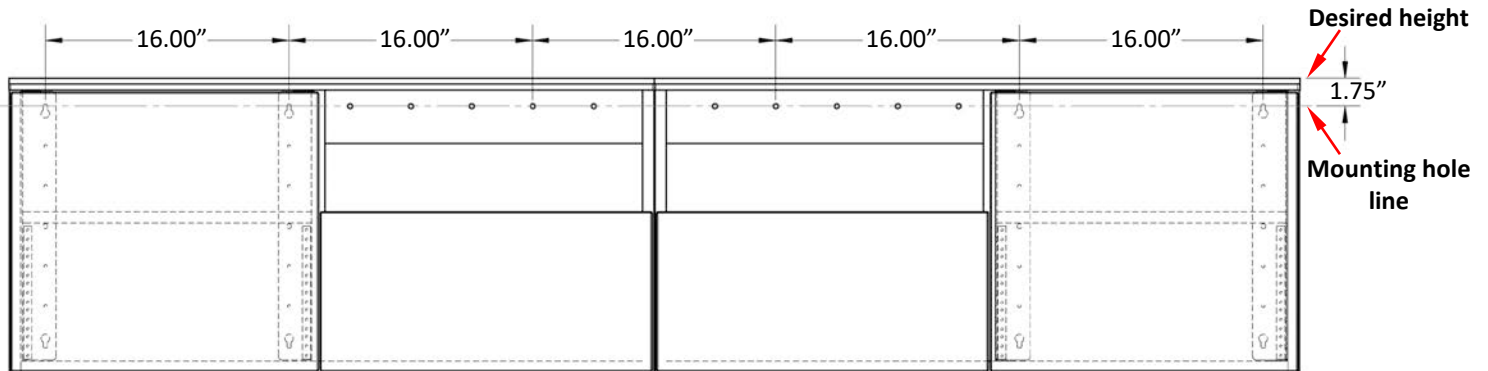


Hammer



7/6" (11mm) Wrench or Socket

- Credenza's wall mount holes are located 1.75" from top surface panel and spaced 16" on center for Drywall/Stud wall installation. Draw a line or mark the desired height for the top surface panel from floor, draw a second line 1.75" below for mounting holes.

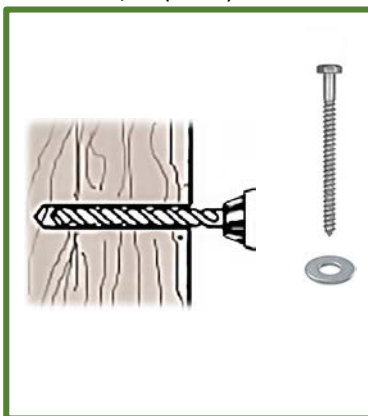


- Use fasteners provided to attached unit to wall depending on the application. Two people are required to complete the installation.



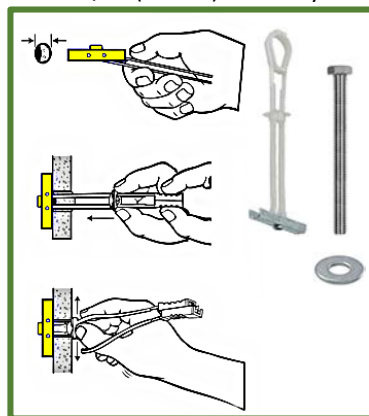
#### Wood stud

Use 1/4" (7mm) drill bit



#### Drywall/Steel stud

Use 1/2" (13mm) Masonry bit



#### Masonry

Use 1/2" (13mm) Masonry bit



Installation  
completed