

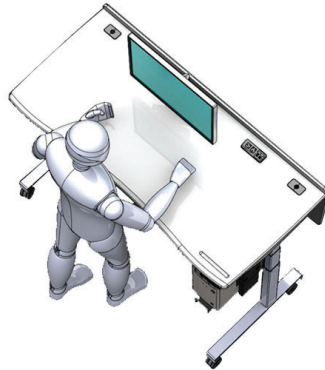


Shown with Options
Modesty panel not exactly as shown

The **DS6330-LFT** is an adjustable height sit/stand desk ideal for high tech classrooms, lecture halls and corporate training sites. It features a large work surface with easily accessible power and grommets for electronics and charging devices. Powered by industry proven Linak® electric actuators with push-button height adjustment (28" - 52") and height readout LCD. Will adjust from sit to standing position with 3 user memory height settings.

Standard Features

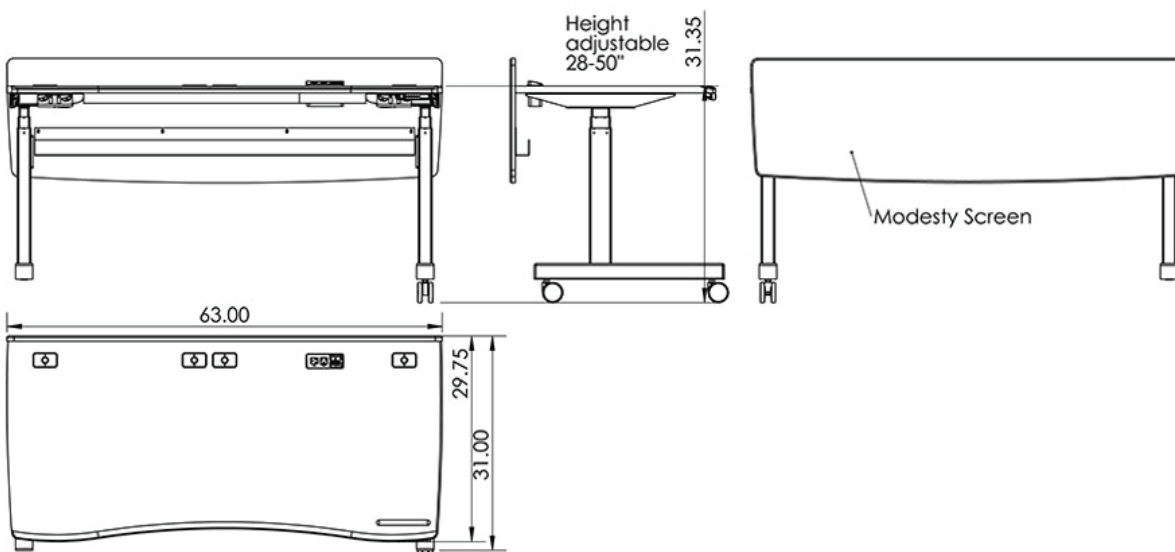
- ADA compliant
- Made with highly resistant thermowrap available in many colors
- Large 63" W x 30" D work surface to accommodate monitors, laptops and documents
- Modesty panel with cable management
- Linak® electric actuators with push-button height adjustment (28" - 52") and LCD display
- **PC-PATCH** 2x 110AC, RJ45, Phone, 2x USB power panel



Shown with Options

Options

- **C900S** 15" - 24" Adjustable monitor arm
- **C900D** Adjustable dual monitor arm
- **PB** Six outlet power bar with 10 ft. cord
- **CHGQIW/B** Wireless charging station white or black
- **CHGQI-DNGL** Dongle Lightning, USB Type-C, Micro-USB. (Requires CHGQIW/B)
- **PCH730** Under desk computer holder
- **CUSTOM CUTOUT** Cutouts for electronics or other items specified by the customer
- Fixed height version also available - Model DS6330



Specifications

Model: DS6330-LFT
Width: 63"
Depth: 30"
Height: 28" - 52"

Finishes



Other finishes are available with a longer lead time. Check website.

The information contained in this drawing is the sole property of Audio Visual Furniture International. Any reproduction in part or as a whole without the written permission of Audio Visual Furniture International is prohibited. AVFI can build or modify stock configurations to suit customer specifications. Please contact us to discuss how this service can help meet your needs. Some quantity restrictions may apply. Specification subject to change without notice. Computers, cameras, monitors, etc. are shown to illustrate product usage and are not included unless otherwise noted.