



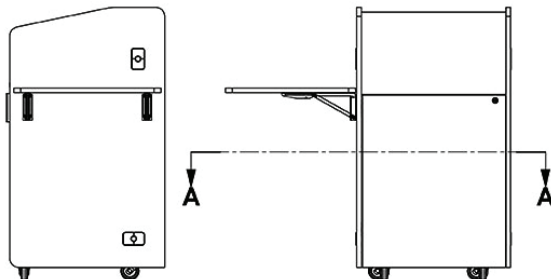
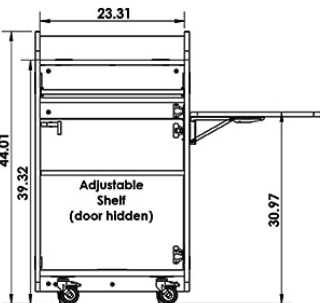
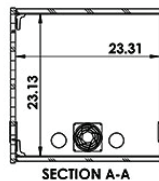
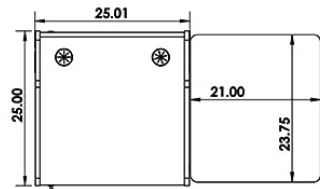
LE3040 is a complete lectern solution including our most popular options. A large flat top surface to accommodate lecture notes, laptops and monitors. A sliding keyboard tray and folding side shelf. The lower cabinet has an adjustable locking shelf and ample storage space for your equipment behind front and rear doors, etc.

Standard Features

- Large flat work surface 23.3" W x 24" D
- Large interior storage cabinet
- Front and rear locking doors
- Slide out keyboard shelf
- Adjustable interior shelf with cable pass-through. Cable ports on top and bottom of the unit
- Folding side shelf - Black only (Can accommodate 2)
- Heavy duty casters (2 locking)
- Many laminate finishes to choose from
- Ships assembled

Options

- C900S/D Single/dual adjustable monitor arm
- PLM1022 10" - 24" Monitor mount
- MM1232 12" - 32" Monitor mount
- MCB1925 19" - 25" Monitor/camera bracket
- FM3 Count down timer/clock
- FAN Quiet cooling fan
- MIC-18 MX418 S/C Shure Gooseneck microphone
- LIGHT-18 Littlite Gooseneck
- PB Six outlet power bar with 10 ft. cord
- PC-PATCH 2x 110AC, RJ45, Phone, 2xUSB
- SF-PB3 Surface mounted 3-outlet 120V power bar
- CUB3 Round cable well
- CUB4 Black-B/Silver-S Power Panel
- CUB5 Round cable well (Black or silver)
- CUB8 Table top cable well
- CHGQIW/B Wireless charging station white or black
- CHGQI-DNGL Dongle Lightning, USB Type-C, Micro-USB. Requires CHGQIW/B
- 9031/9041/9052 Utility metal shelves/drawer (Check website)
- DIR9200-10/12 10U/12U Rack module
- RMT14 14U rack frame - Replaces interior shelf
- SH-LE Additional interior shelf
- SH-FL Additional folding side shelf kit
- 9107 Lacing bar (19" long)
- LEV4AX4 4x Levelers for non-mobile applications
- CUSTOM CUTOUT Cutouts for electronics or other items specified by the customer



Specifications

- Model:** LE3040
- Width:** 27" (shelf down)
- Depth:** 25.6"
- Height:** 44.25"

Finishes



Other finishes are available with a longer lead time. Check website.

The information contained in this drawing is the sole property of Audio Visual Furniture International. Any reproduction in part or as a whole without the written permission of Audio Visual Furniture International is prohibited. We can build or modify stock configurations to suit customer specifications. Please contact us to discuss how this service can help meet your needs. Some quantity restrictions may apply. Specification subject to change without notice. Computers, cameras, monitors, etc. are shown to illustrate product usage and are not included unless otherwise noted.