



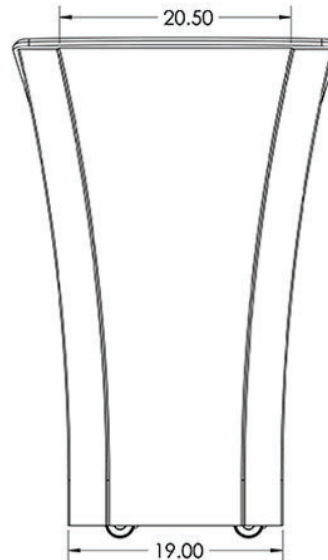
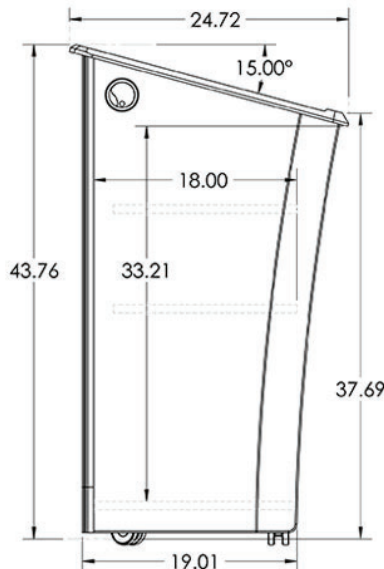
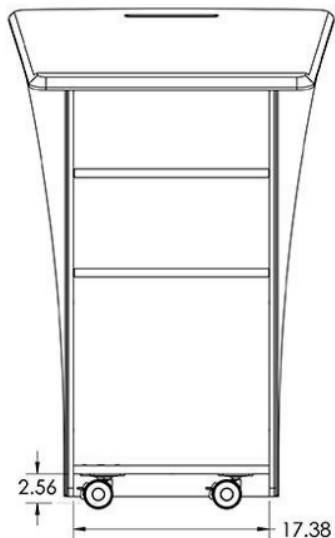
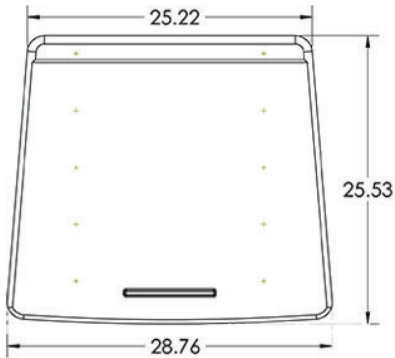
LEX32 is a large surface and elegant presentation lectern with a unique look. It features a 24" X 28" work surface to accommodate lecture notes or a laptop, inner shelves with wiring channels and 2" casters (2 front are locking). Finished with a highly resistant black thermowrap top and your choice of thermowrap color body.

Standard Features

- Large angled 24" x 28" work surface
- Paper ledge and pen/pencil holder
- Cable pass through on each side of the unit
- Height adjustable interior shelves with cable pass through
- 2" casters (2 front are locking)
- Thermowrapped lectern with choice of finishes
- Ships assembled

Options

- **PB** Six outlet power bar with 10 ft. cord
- **CUB3** Round cable well
- **CUB4** Black-B/Silver-S Power Panel
- **PC-PATCH** 2x 110AC, RJ45, Phone, 2xUSB
- **SF-PB3** Surface mounted 3-outlet 120V power bar
- **FM3** Count down timer/clock
- **MIC-18** MX418 S/C Shure Gooseneck microphone
- **LIGHT-18** Littlite Gooseneck
- **LEV4AX4** 4x Levelers for non-mobile applications
- **CUSTOM CUTOUT** Cutouts for electronics or other items specified by the customer



Specifications

Model: LEX32
Width: 28-3/4"
Depth: 24-3/4"
Height: 43-3/4"

Finishes



Other finishes are available. Check website.

The information contained in this drawing is the sole property of Audio Visual Furniture International. Any reproduction in part or as a whole without the written permission of Audio Visual Furniture International is prohibited. AVFI can build or modify stock configurations to suit customer specifications. Please contact us to discuss how this service can help meet your needs. Some quantity restrictions may apply. Specification subject to change without notice. Computers, cameras, monitors, etc. are shown to illustrate product usage and are not included unless otherwise noted.