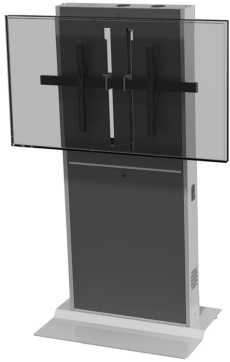


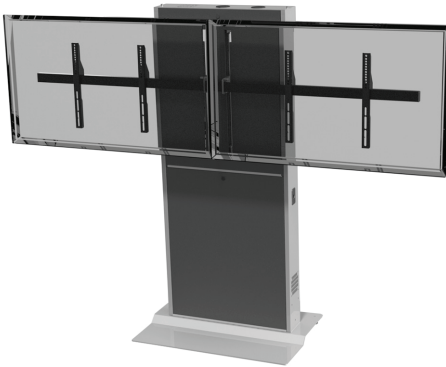
LFT7000FS-S



LFT7000FS-XL



LFT7000FS-D



LFT7000FS-CS55



LFT7000FS-CS70



The **LFT7000FS** is heavy duty, fixed base & height adjustable stand with multiple display mount options. It is a self-supporting stand which can be anchored to floor. Ideal for environments where adjustable height or ADA is required. Internally it features vertical 3U rack rails behind the bottom locking panel. Cable channel and ventilation. Supports displays weight up to 280 lbs.

Standard Features

- Single, XL, Dual displays and Cisco Spark Boards 55 & 70 mount choices
- 20" travel electric Worm-Drive actuator for safety and reliability
- Cable push-button remote for easy incremental adjustments
- Heavy metal base can be anchored to floor if needed
- Removable locking front panels with wiring channel inside main pillar
- Scratch resistant powder coat finish
- Grey metal frame with Shark Grey-SGT panel color
- 3U vertical rack inside, 30" depth

Mount choices

- **Single:** 1x 40"-70" display
- **XL:** 1x 65"-90+" display
- **Dual:** 2x 42"-70" displays
- **CS55:** 1x Cisco Spark Board 55
- **CS70:** 1x Cisco Spark Board 70

Specifications

Model: LFT7000FS-S/ XL/ D/ CS55/ CS70

Width: S-35" / XL-53" / D-84" / CS55-46" / CS70-60"

Depth: 23"

Height: 72"

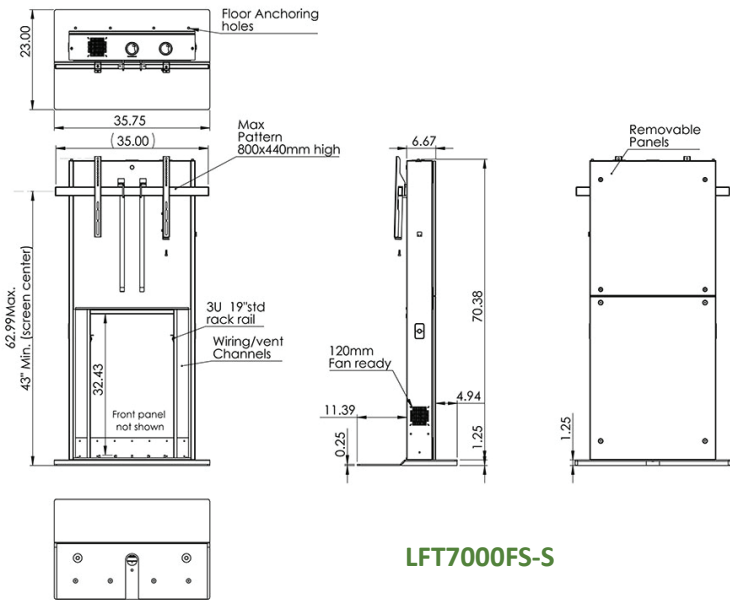
Weight Capacity: 280 lbs (127 kg) display total

Color: Light grey metal frame with Shark Grey-SGT panel color

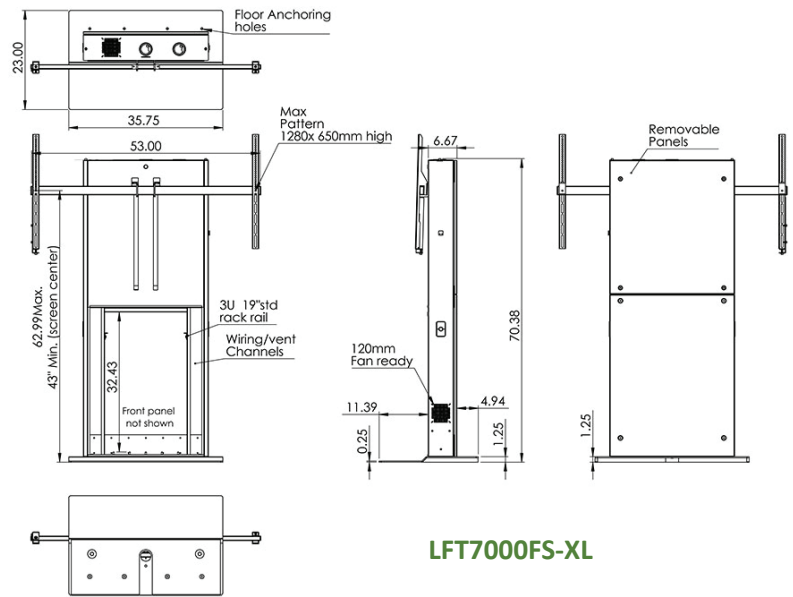
Options

- **TVCB/TVCB-XL** Camera bracket. For video conference applications allowing camera to ride up & down with the screen
- **BKT-ROOM** Cisco Room & Room Plus camera bracket (using TVCB)
- **CBB-TV** Under TV camera bracket (26" - 80" TV's)
- **PB** Six outlet power bar with 10 ft. cord
- **FAN** Quiet cooling fan
- **RR3** Additional 3U rack rails

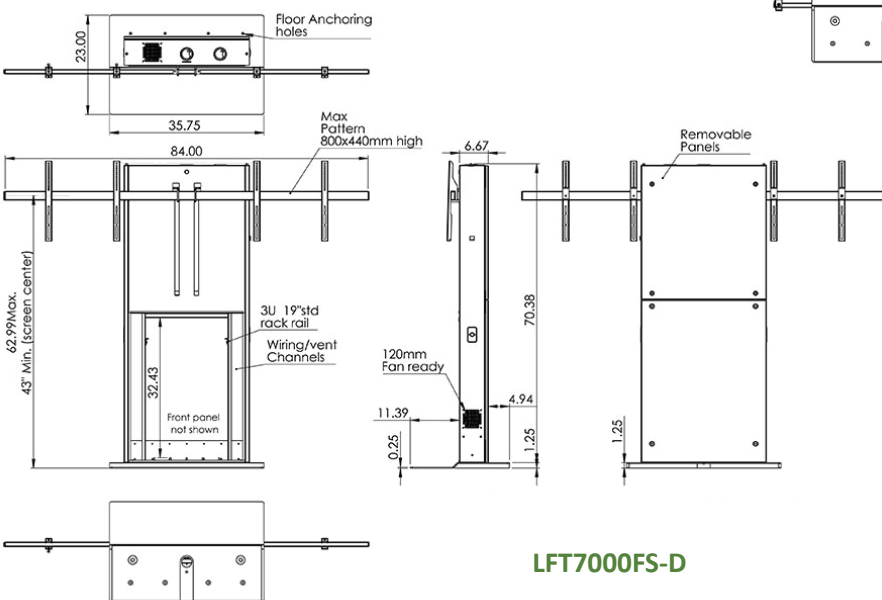
LFT700FS Dimensional Drawings



LFT700FS-S



LFT700FS-XL



LFT700FS-D

The information contained in this drawing is the sole property of Audio Visual Furniture International. Any reproduction in part or as a whole without the written permission of Audio Visual Furniture International is prohibited. We can build or modify stock configurations to suit customer specifications. Please contact us to discuss how this service can help meet your needs. Some quantity restrictions may apply. Specification subject to change without notice. Computers, cameras, monitors, etc. are shown to illustrate product usage and are not included unless otherwise noted.