



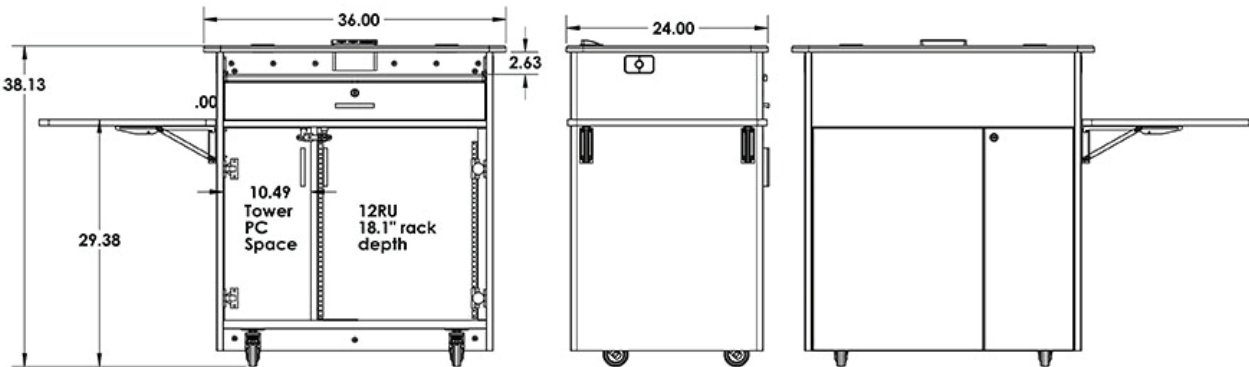
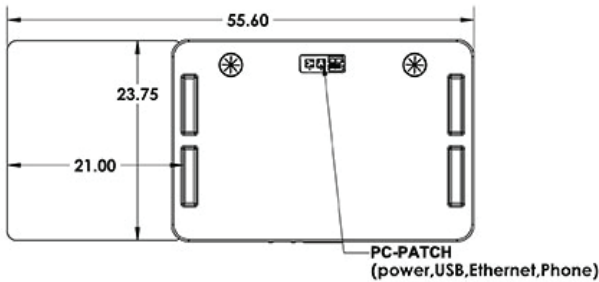
EDU-LE features 12 rack spaces and a folding side shelf. Clean audience side look with locking rear access door. Other features include: locking front doors, pull-out keyboard and mouse tray, large work surface, quiet cooling fan and heavy duty casters. Scratch resistant thermowrap top surfaces and laminate main body construction.

Standard Features

- 12U space 19" EIA compliant rack rails (19.375" depth)
- Locking front and rear doors
- Aluminum protected corners
- PC space
- Locking drawer for easy storage
- Pull-out keyboard and mouse tray
- Folding side shelf. Black only (Can accommodate 2)
- **FAN** Quiet cooling fan 120mm
- **PC-PATCH** 2x 110AC, RJ45, Phone, 2x USB
- Heavy duty casters (2 locking)
- Laminate body with many finishes to choose from & scratch resistant black thermowrap top surfaces
- Ships assembled

Options

- **C900S** 15" - 24" Adjustable monitor arm
- **C900D** Adjustable dual monitor arm
- **PLM1022** 10" - 24" Monitor mount
- **MM1232** 12" - 32" Monitor mount
- **MCB1925** 19" - 25" Monitor/camera bracket
- **FM3** Count down timer/ clock
- **MIC-18** MX418 S/C Shure Gooseneck microphone
- **LIGHT-18** Littlite Gooseneck
- **PB** Six outlet power bar with 10 ft. cord
- **CUB3** Round cable well
- **CUB4** Black-B/Silver-S Power Panel
- **CUB5** Round cable well (Black or Silver)
- **CUB8** Table top cable well
- **CHGQIW/B** Wireless charging station white or black
- **CHGQI-DNGL** Dongle Lightning, USB Type-C, Micro-USB. Requires CHGQIW/B
- **RR12** Set of 12U rack rails (rear)
- **9031** Vented metal shelf
- **9052** Sliding metal drawer
- **9107** Lacing bar (19" long)
- **LEV4AX4** 4x Levelers for non-mobile applications
- **CUSTOM CUTOUT** Cutouts for electronics or other items specified by the customer



Specifications

Model: EDU-LE
Width: 36"
Depth: 24"
Height: 38-3/8"

Finishes



Other finishes are available. Check website.

The information contained in this drawing is the sole property of Audio Visual Furniture International. Any reproduction in part or as a whole without the written permission of Audio Visual Furniture International is prohibited. AVFI can build or modify stock configurations to suit customer specifications. Please contact us to discuss how this service can help meet your needs. Some quantity restrictions may apply. Specification subject to change without notice. Computers, cameras, monitors, etc. are shown to illustrate product usage and are not included unless otherwise noted.



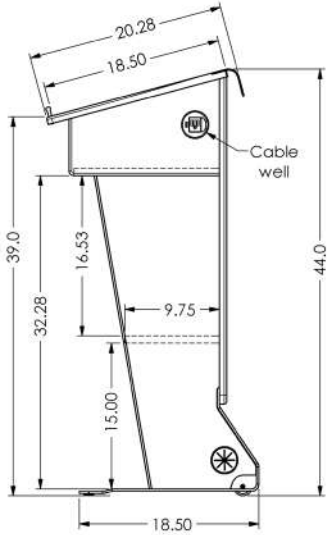
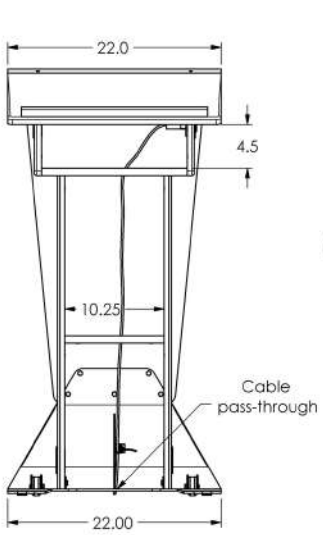
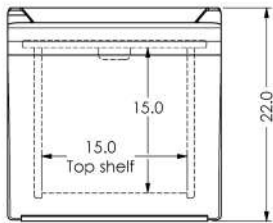
The **LE222** is a modern style lectern with a singular slim yet sturdy design, made out of silver finish metal and highly resistant thermowrap panels. This lectern is mobile and offers a large reading surface with pen/paper stop, shelf compartments and a cable well on the right side for power and USB connection.

Standard Features

- Large 22" W x 18.5" D work surface
- Shelf compartments for document storage
- Front wheels for easy maneuvering
- Silver metal with highly resistant thermowrap finish
- 1 Round cable well for power and USB connection
- Ships assembled

Options

- **MIC-18** MX418C Shure Gooseneck microphone
- **LIGHT-18** Littlite Gooseneck
- **FM3** Count down timer/ clock
- **PB** Six outlet power bar with 10 ft. Cord
- **PC-PATCH** 2x 110AC, RJ45, Phone, 2x USB
- **SF-PB3** Surface mounted 3-outlet 120V power bar
- **CUB3** Round cable well
- **CUB4** Black-B/Silver-S Power Panel
- **CUB5** Round cable well (Black or Silver)
- **CHLD245** Cup Holder (Installs under top shelf)
- **CUSTOM CUTOUT** Cutouts for electronics or other items specified by the customer.



Specifications

Model: LE222
Width: 22"
Depth: 22"
Height: 44"

Finishes:



Other finishes are available. Check website.

The information contained in this drawing is the sole property of Audio Visual Furniture International. Any reproduction in part or as a whole without the written permission of Audio Visual Furniture International is prohibited. We can build or modify stock configurations to suit customer specifications. Please contact us to discuss how this service can help meet your needs. Some quantity restrictions may apply. Specification subject to change without notice. Computers, cameras, monitors, etc. are shown to illustrate product usage and are not included unless otherwise noted.



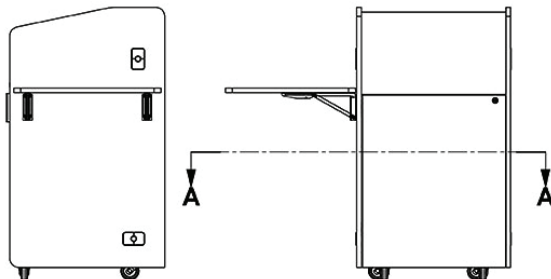
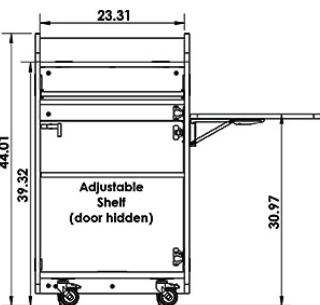
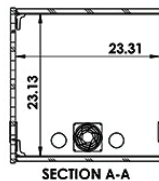
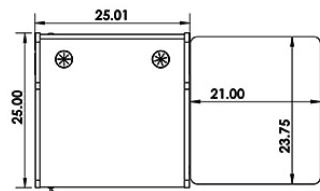
LE3040 is a complete lectern solution including our most popular options. A large flat top surface to accommodate lecture notes, laptops and monitors. A sliding keyboard tray and folding side shelf. The lower cabinet has an adjustable locking shelf and ample storage space for your equipment behind front and rear doors, etc.

Standard Features

- Large flat work surface 23.3" W x 24" D
- Large interior storage cabinet
- Front and rear locking doors
- Slide out keyboard shelf
- Adjustable interior shelf with cable pass-through. Cable ports on top and bottom of the unit
- Folding side shelf - Black only (Can accommodate 2)
- Heavy duty casters (2 locking)
- Many laminate finishes to choose from
- Ships assembled

Options

- C900S/D Single/dual adjustable monitor arm
- PLM1022 10" - 24" Monitor mount
- MM1232 12" - 32" Monitor mount
- MCB1925 19" - 25" Monitor/camera bracket
- FM3 Count down timer/clock
- FAN Quiet cooling fan
- MIC-18 MX418 S/C Shure Gooseneck microphone
- LIGHT-18 Littlite Gooseneck
- PB Six outlet power bar with 10 ft. cord
- PC-PATCH 2x 110AC, RJ45, Phone, 2xUSB
- SF-PB3 Surface mounted 3-outlet 120V power bar
- CUB3 Round cable well
- CUB4 Black-B/Silver-S Power Panel
- CUB5 Round cable well (Black or silver)
- CUB8 Table top cable well
- CHGQIW/B Wireless charging station white or black
- CHGQI-DNGL Dongle Lightning, USB Type-C, Micro-USB. Requires CHGQIW/B
- 9031/9041/9052 Utility metal shelves/drawer (Check website)
- DIR9200-10/12 10U/12U Rack module
- RMT14 14U rack frame - Replaces interior shelf
- SH-LE Additional interior shelf
- SH-FL Additional folding side shelf kit
- 9107 Lacing bar (19" long)
- LEV4AX4 4x Levelers for non-mobile applications
- CUSTOM CUTOUT Cutouts for electronics or other items specified by the customer



Specifications

- Model:** LE3040
- Width:** 27" (shelf down)
- Depth:** 25.6"
- Height:** 44.25"

Finishes



Other finishes are available with a longer lead time. Check website.

The information contained in this drawing is the sole property of Audio Visual Furniture International. Any reproduction in part or as a whole without the written permission of Audio Visual Furniture International is prohibited. We can build or modify stock configurations to suit customer specifications. Please contact us to discuss how this service can help meet your needs. Some quantity restrictions may apply. Specification subject to change without notice. Computers, cameras, monitors, etc. are shown to illustrate product usage and are not included unless otherwise noted.



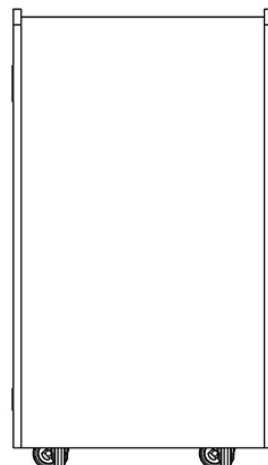
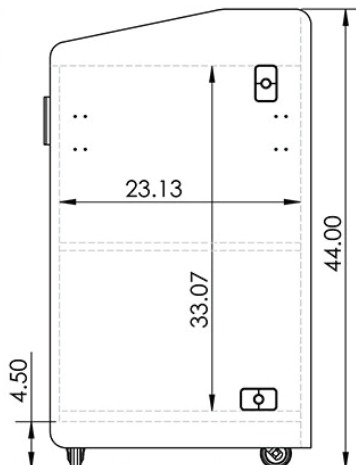
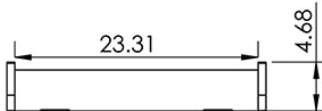
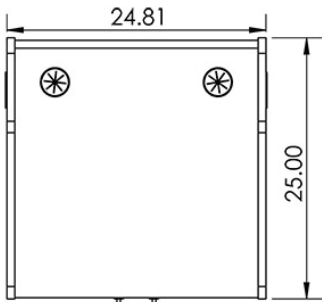
The lectern model **LE3050** is a mobile lectern with a convenient flat top surface to accommodate lecture notes, laptops or monitors. The lockable lower cabinet has an adjustable shelf and ample storage space for your presentation media, microphone and other electronic equipment, etc.

Standard Features

- Large flat work surface 23.5" W x 24" D
- Large interior storage cabinet with locking doors
- Adjustable interior shelf with cable pass-through
- Cable ports on the top and bottom of the unit
- Heavy duty casters (2 locking)
- Many laminate finishes to choose from
- Ships assembled

Options

- **C900S** 15" - 24" Adjustable monitor arm
- **C900D** Adjustable dual monitor arm
- **PLM1022** 10" - 24" Monitor mount
- **MM1232** 12" - 32" Monitor mount
- **MCB1925** 19" - 25" Monitor/camera bracket
- **FM3** Count down timer/clock
- **MIC-18** MX418 S/C Shure Gooseneck microphone
- **LIGHT-18** Littlite Gooseneck
- **PB** Six outlet power bar with 10 ft. cord
- **PC-PATCH** 2x 110AC, RJ45, Phone, 2xUSB
- **SF-PB3** Surface mounted 3-outlet 120V power bar
- **CUB3** Round cable well
- **CUB4** Black-B/Silver-S Power Panel
- **CUB5** Round cable well (Black or silver)
- **CUB8** Table top cable well
- **CHGQIW/B** Wireless charging station white or black
- **CHGQI-DNGL** Dongle Lightning, USB Type-C, Micro-USB. Requires CHGQIW/B
- **SH-LE** Additional interior shelf
- **SH-FL** Folding side shelf kit
- **LEV4AX4** 4x Levelers for non-mobile applications
- **CUSTOM CUTOUT** Cutouts for electronics or other items specified by the customer



Specifications

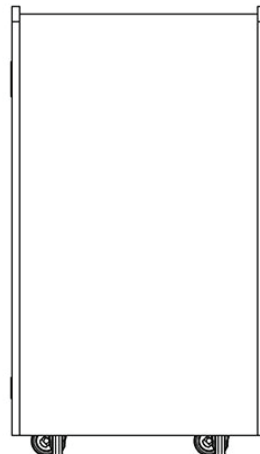
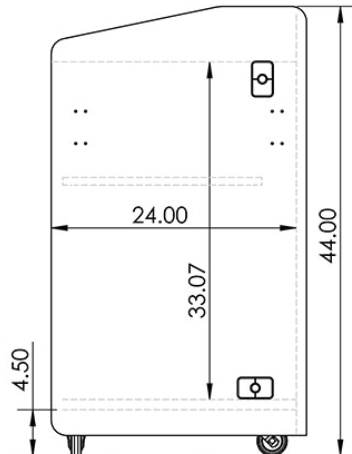
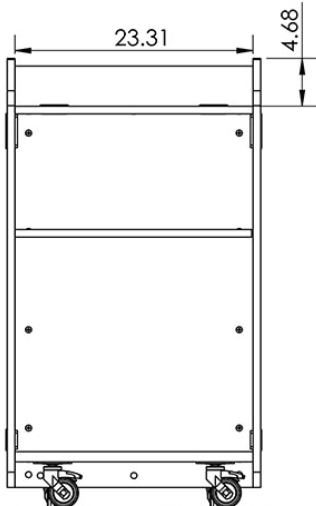
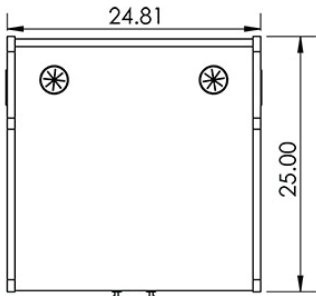
Model: LE3050
Width: 25"
Depth: 25"
Height: 46"

Finishes



Other finishes are available with a longer lead time. Check website.

The information contained in this drawing is the sole property of Audio Visual Furniture International. Any reproduction in part or as a whole without the written permission of Audio Visual Furniture International is prohibited. AVFI can build or modify stock configurations to suit customer specifications. Please contact us to discuss how this service can help meet your needs. Some quantity restrictions may apply. Specification subject to change without notice. Computers, cameras, monitors, etc. are shown to illustrate product usage and are not included unless otherwise noted.



The lectern model **LE3060** is an open lectern with a large flat top surface to accommodate lecture notes, laptops and monitors. The lower cabinet has an adjustable shelf and ample storage space for your equipment that does not require lockable security, etc.

Standard Features

- Large flat work surface 23" W x 24" D
- Large interior storage cabinet
- Adjustable interior shelf with cable pass-through
- Cable ports on the top and bottom of the unit
- Heavy duty casters (2 locking)
- Many laminate finishes to choose from
- Ships assembled

Options

- **C900S** 15" - 24" Adjustable monitor arm
- **C900D** Adjustable dual monitor arm
- **PLM1022** 10" - 24" Monitor mount
- **MM1232** 12" - 32" Monitor mount
- **MCB1925** 19" - 25" Monitor/camera bracket
- **FM3** Count down timer/clock
- **FAN** Quiet cooling fan
- **MIC-18** MX418 S/C Shure Gooseneck microphone
- **LIGHT-18** Littlite Gooseneck
- **PB** Six outlet power bar with 10 ft. cord
- **PC-PATCH** 2x 110AC, RJ45, Phone, 2xUSB
- **SF-PB3** Surface mounted 3-outlet 120V power bar
- **CUB3** Round cable well
- **CUB4** Black-B/Silver-S Power Panel
- **CUB5** Round cable well (Black or silver)
- **CUB8** Table top cable well
- **CHGQIW/B** Wireless charging station white or black
- **CHGQI-DNGL** Dongle Lightning, USB Type-C, Micro-USB. Requires CHGQIW/B
- **9031/9041/9052** Utility metal shelves/drawer (Check website)
- **DIR9200-10/12** 10U/12U Rack module
- **9107** Lacing bar (19" long)
- **SH-LE** Additional interior shelf
- **SH-FL** Additional folding side shelf kit
- **LEV4AX4** 4x Levelers for non-mobile applications
- **CUSTOM CUTOUT** Cutouts for electronics or other items specified by the customer

Specifications

Model: LE3060
Width: 25"
Depth: 25"
Height: 46"

Finishes



Other finishes are available with a longer lead time. Check website.

The information contained in this drawing is the sole property of Audio Visual Furniture International. Any reproduction in part or as a whole without the written permission of Audio Visual Furniture International is prohibited. AVFI can build or modify stock configurations to suit customer specifications. Please contact us to discuss how this service can help meet your needs. Some quantity restrictions may apply. Specification subject to change without notice. Computers, cameras, monitors, etc. are shown to illustrate product usage and are not included unless otherwise noted.



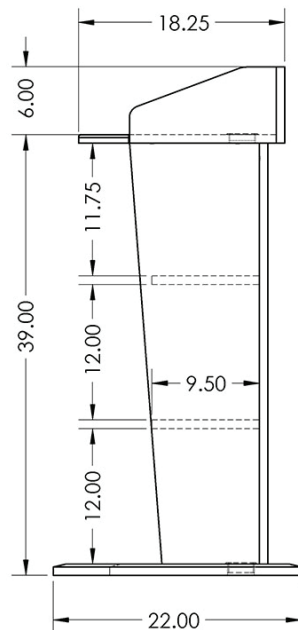
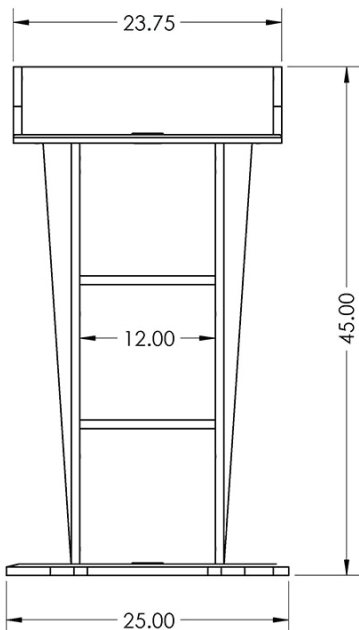
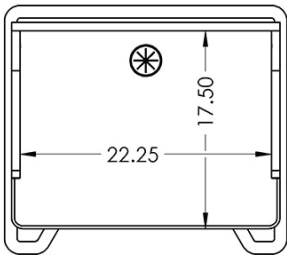
The lectern model **LE402** is a slim and elegant presentation lectern with a modern look. It features a 39" high large work surface to accommodate lecture notes or a laptop, two lower shelves with wiring channel and a large weighted base with access cutout for improved ergonomics.

Standard Features

- Work surface height of 39" with cable pass-through
- Large work surface 22.5" W x 17.5" D
- Interior shelves with cable pass-through
- Many laminate finishes to choose from
- Ships assembled

Options

- **MIC-18** MX418 S/C Shure Gooseneck microphone
- **LIGHT-18** Littlite Gooseneck
- **PB** Six outlet power bar with 10 ft. cord
- **CUB3** Round cable well
- **CUB4** Power panel (Black or Silver)
- **CHGQIW/B** Wireless charging station white or black
- **CHGQI-DNGL** Dongle Lightning, USB Type-C, Micro-USB. Requires CHGQIW/B
- **CUSTOM CUTOUT** Cutouts for electronics or other items specified by the customer



Specifications

Model: LE402
Width: 25"
Depth: 22"
Height: 45"

Finishes



Other finishes are available.
 Check website.

The information contained in this drawing is the sole property of Audio Visual Furniture International. Any reproduction in part or as a whole without the written permission of Audio Visual Furniture International is prohibited. AVFI can build or modify stock configurations to suit customer specifications. Please contact us to discuss how this service can help meet your needs. Some quantity restrictions may apply. Specification subject to change without notice. Computers, cameras, monitors, etc. are shown to illustrate product usage and are not included unless otherwise noted.



LEX112 is a presidential lectern that features a 24" X 18" work surface to accommodate lecture notes or a laptop, CUB3 power grommet, inner shelves with wiring channels and 3" casters (2 front are locking). Finished with Shark grey top & base with color choices for main body .

Standard Features

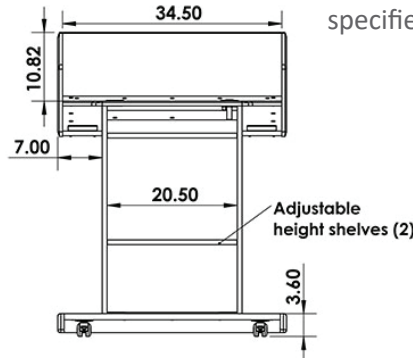
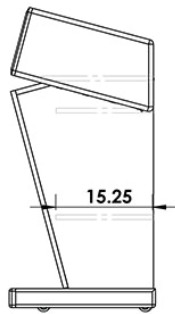
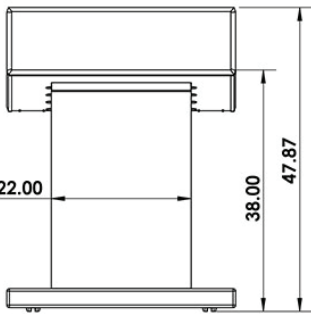
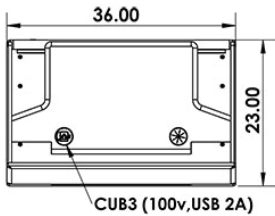
- Large angled 24" x 18" work surface
- Side surfaces for phone charging and presenter storage
- 1x CUB3 grommet with 110V/USB 2Amp and cable pass through
- Cable pass through on each side of the unit
- Height adjustable interior shelves with cable pass through
- 3" casters (2 front are locking)
- Shark grey top and base with color choices for main body
- Logo area dimensions: top (9.25"H x 34.5"W) & body (21"W x 31.5"H)
- Ships assembled



Includes 1x CUB3 Round Power Grommet (not shown on image)

Options

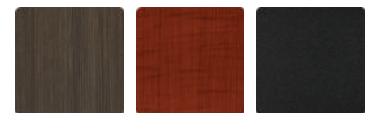
- **CUB3** Round cable well
- **CUB4** Black-B/Silver-S Power Panel
- **PB** Six outlet power bar with 10 ft. cord
- **FM3** Count down timer/clock
- **MIC-18** MX418 S/C Shure Gooseneck microphone
- **LIGHT-18** Littlite Gooseneck
- **C900S** Single adjustable monitor arm
- **C900D** Dual adjustable monitor arm
- **PLM1022** 10" - 24" Monitor mount
- **CUSTOM CUTOUT** Cutouts for electronics or other items specified by the customer



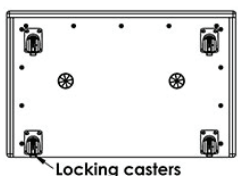
Specifications

Model: LEX112
Width: 36"
Depth: 23"
Height: 48-7/8"

Finishes



Other finishes are available with a longer lead time. Please check website.



Locking casters

The information contained in this drawing is the sole property of Audio Visual Furniture International. Any reproduction in part or as a whole without the written permission of Audio Visual Furniture International is prohibited. AVFI can build or modify stock configurations to suit customer specifications. Please contact us to discuss how this service can help meet your needs. Some quantity restrictions may apply. Specification subject to change without notice. Computers, cameras, monitors, etc. are shown to illustrate product usage and are not included unless otherwise noted.



LEX17 is a contemporary style lectern that sets the stage with its elegant presence. A sturdy design, made from highly resistant thermowrap panels. This lectern is perfect for conferences, public presentations or speeches.

Standard Features

- Large flat trapezoid top. L 16" x W 14.2" x W 23.5"
- Open concept that allows easy access
- 1 interior shelf for storing a drink
- Cable grommet on top surface
- Cable pass through inside the unit
- Highly resistant thermowrap finish
- Ships assembled

Options

- **MIC-18** MX418C Shure Gooseneck microphone
- **LIGHT-18** Littlite Gooseneck
- **FM3** Count down timer/ clock
- **PB 6** Outlet Power Bar
- **CUB3** Round cable well
- **SF-PB3** Surface mounted 3-outlet 120V power bar
- **CUB5** Black Round Cable Well
- **PC-PATCH** Power-Data Module
- **CUB4B** Black Power Panel
- **CUSTOM CUTOUT** Cutouts for electronics or other items specified by the customer.

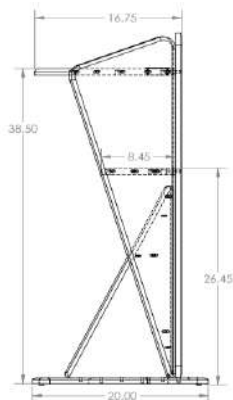
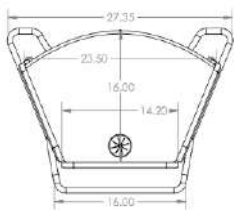
Specifications

Model: LEX17
Width: 27.35"
Depth: 20.00"
Height: 42.90"

Finishes:



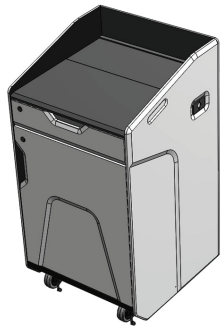
Other finishes are available. Check website.



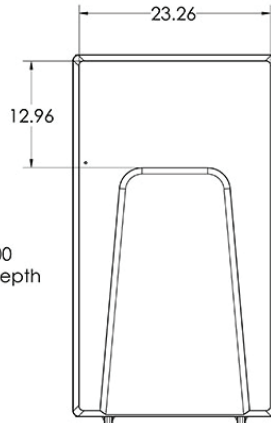
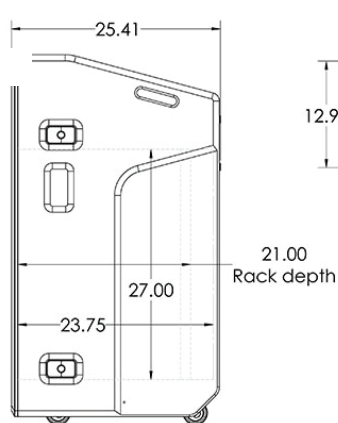
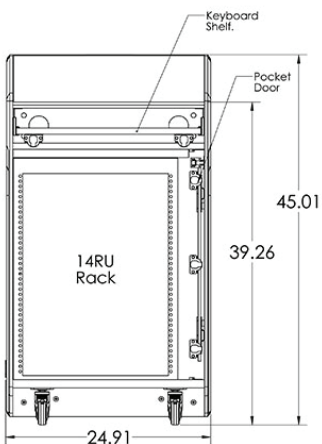
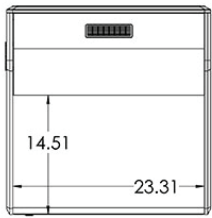
The information contained in this drawing is the sole property of Audio Visual Furniture International. Any reproduction in part or as a whole without the written permission of Audio Visual Furniture International is prohibited. We can build or modify stock configurations to suit customer specifications. Please contact us to discuss how this service can help meet your needs. Some quantity restrictions may apply. Specification subject to change without notice. Computers, cameras, monitors, etc. are shown to illustrate product usage and are not included unless otherwise noted.



Wedge/Pod Configuration Shown



Flat Surface Configuration shown



LEX30 tech lectern features 14 rack spaces and can accommodate a folding side shelf opposite the pocket door. Clean audience side look with hidden full access rear door. Other features include: locking front pocket door, pull-out keyboard and mouse tray, removable pod for cutouts, quiet cooling fan and heavy duty casters. Scratch resistant thermal wrap surfaces offered in many color options.

Standard Features

- Flat or wedge top pod option to suit your interface requirements
- Rear door with innovative hidden lock for full access to equipment from audience side as well as a locking keyboard door
- Interior space with 14U 19" rack frame (21" D)
- Hide away locking front pocket door
- FAN Quiet cooling 120mm fan
- Heavy duty casters (2 locking)
- Thermowrapped lectern with choice of finishes
- Ships assembled

Options

- **C900S** Single adjustable monitor arm
- **PLM1022** 10" - 24 Monitor mount
- **MM1232** 12" - 32" Monitor mount (Requires flat top surface)
- **MCB1925** 19" - 25" Monitor/camera bracket
- **FM3** Count down timer/clock
- **MIC-18** MX418 S/C Shure Gooseneck microphone
- **LIGHT-18** Littlite Gooseneck
- **PB** Six outlet power bar with 10 ft. cord
- **PC-PATCH** 2x 110AC, RJ45, Phone, 2xUSB
- **SF-PB3** Surface mounted 3-outlet 120V power bar
- **CUB3** Round cable well
- **CUB5** Round cable well (Black or silver)
- **CUB8** Table top cable well
- **RMT14** Rear 14U rack frame kit
- **9031/9041/9052** Utility metal shelves/drawer (Check website)
- **DIR9200-10/12** 10U/12U Rack module
- **SH-FL-EX** Folding side shelf (Black)
- **9107** Lacing bar (19" long)
- **MAGKEY** Additional key for hidden locks
- **LEV4AX4** 4x Levelers for non-mobile applications
- **GRC60** 60mm Round grommet. Black-B, white-W & grey-G
- **CUSTOM CUTOUT** Cutouts for electronics or other items specified by the customer

Specifications

Model: LEX30
Width: 24 7/8"
Depth: 25 1/4"
Height: 45 1/4"

Finishes



Other finishes are available. Check website.

The information contained in this drawing is the sole property of Audio Visual Furniture International. Any reproduction in part or as a whole without the written permission of Audio Visual Furniture International is prohibited. AVFI can build or modify stock configurations to suit customer specifications. Please contact us to discuss how this service can help meet your needs. Some quantity restrictions may apply. Specification subject to change without notice. Computers, cameras, monitors, etc. are shown to illustrate product usage and are not included unless otherwise noted.



Wedge/Pod Configuration Shown

LEX31 features 14 rack spaces and can accommodate a folding side shelf opposite the pocket door. Clean audience side look with hidden full access rear door. Other features include: locking front pocket door, pull-out keyboard and mouse tray, removable pod for cutouts, quiet cooling fan and heavy duty casters. Scratch resistant thermal wrap surfaces offered in many color options.

Standard Features

- Flat or wedge top pod option to suit your interface requirements
- Rear door with innovative hidden lock for full access to equipment from audience side as well as a locking keyboard door
- Interior space with 14U 19" rack frame (21" D)
- Hide away locking front pocket door
- FAN Quiet cooling 120mm fan
- Heavy duty casters (2 locking)
- Thermowrapped lectern with choice of finishes
- Ships assembled

Options

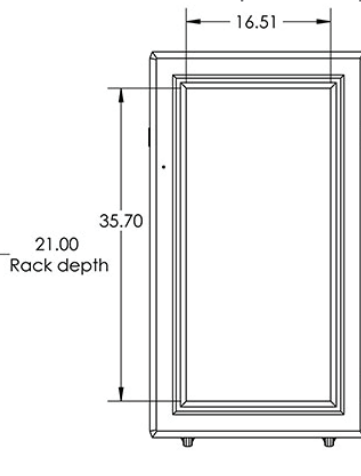
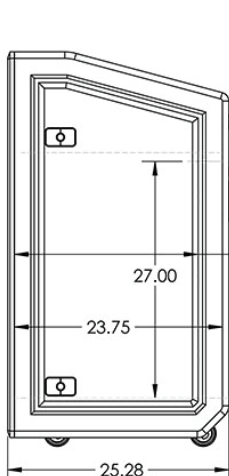
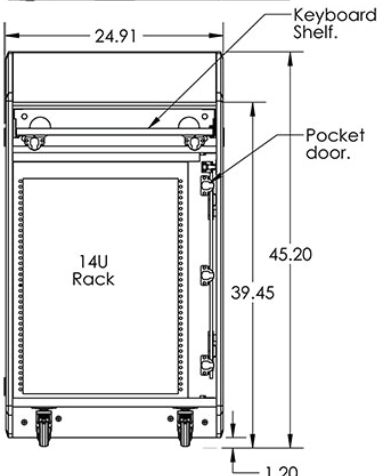
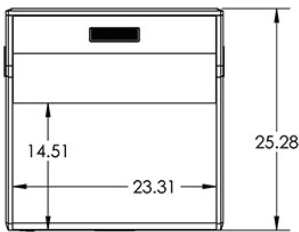
- **C900S** Single adjustable monitor arm
- **PLM1022** 10" - 24" Monitor mount
- **MM1232** 12" - 32" Monitor mount (Requires flat top surface)
- **MCB1925** 19" - 25" Monitor/camera bracket
- **FM3** Count down timer/clock
- **MIC-18** MX418 S/C Shure Gooseneck microphone
- **LIGHT-18** Littlite Gooseneck
- **PB** Six outlet power bar with 10 ft. cord
- **PC-PATCH** 2x 110AC, RJ45, Phone, 2x USB
- **SF-PB3** Surface mounted 3-outlet 120V power bar
- **CUB3** Round cable well
- **CUB5** Round cable well (Black or silver)
- **CUB8** Table top cable well
- **POP5** Pop-up connection panel
- **9031/9041/9052** Utility metal shelves/drawer (Check website)
- **DIR9200-10/12** 10U/12U Rack module
- **SH-FL-EX** Folding side shelf (Black)
- **RMT14** Rear 14U rack frame kit
- **9107** Lacing bar (19" long)
- **MAGKEY** Additional key for hidden locks
- **LEV4AX4** 4x Levelers for non-mobile applications
- **GRC60** 60mm Round grommet. Black-B, white-W & grey-G
- **CUSTOM CUTOUT** Cutouts for electronics or other items specified by the customer



Wedge/Pod Configuration Shown



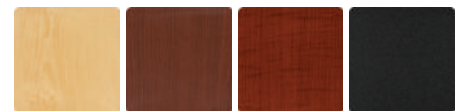
Flat Surface Configuration shown



Specifications

Model: LEX31
Width: 24 7/8"
Depth: 25 1/4"
Height: 45 1/4"

Finishes



Other finishes are available. Check website.

The information contained in this drawing is the sole property of Audio Visual Furniture International. Any reproduction in part or as a whole without the written permission of Audio Visual Furniture International is prohibited. AVFI can build or modify stock configurations to suit customer specifications. Please contact us to discuss how this service can help meet your needs. Some quantity restrictions may apply. Specification subject to change without notice. Computers, cameras, monitors, etc. are shown to illustrate product usage and are not included unless otherwise noted.



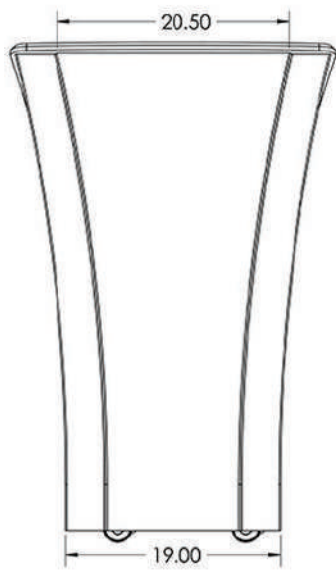
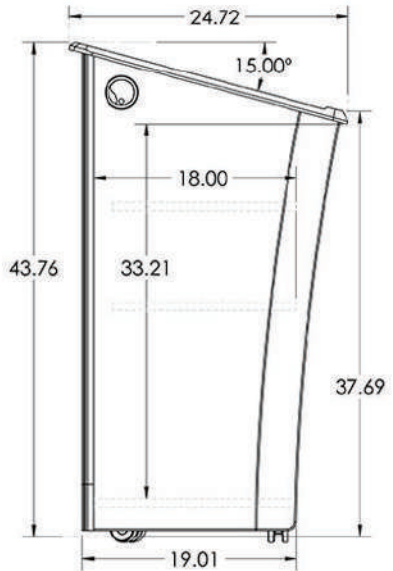
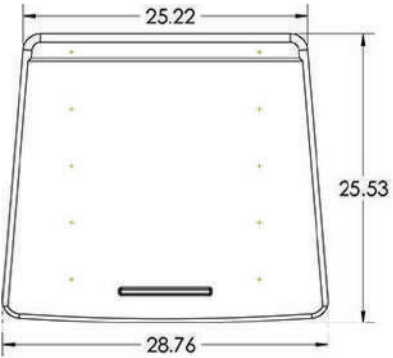
LEX32 is a large surface and elegant presentation lectern with a unique look. It features a 24" X 28" work surface to accommodate lecture notes or a laptop, inner shelves with wiring channels and 2" casters (2 front are locking). Finished with a highly resistant black thermowrap top and your choice of thermowrap color body.

Standard Features

- Large angled 24" x 28" work surface
- Paper ledge and pen/pencil holder
- Cable pass through on each side of the unit
- Height adjustable interior shelves with cable pass through
- 2" casters (2 front are locking)
- Thermowrapped lectern with choice of finishes
- Ships assembled

Options

- **PB** Six outlet power bar with 10 ft. cord
- **CUB3** Round cable well
- **CUB4** Black-B/Silver-S Power Panel
- **PC-PATCH** 2x 110AC, RJ45, Phone, 2xUSB
- **SF-PB3** Surface mounted 3-outlet 120V power bar
- **FM3** Count down timer/clock
- **MIC-18** MX418 S/C Shure Gooseneck microphone
- **LIGHT-18** Littlite Gooseneck
- **LEV4AX4** 4x Levelers for non-mobile applications
- **CUSTOM CUTOUT** Cutouts for electronics or other items specified by the customer



Specifications

Model: LEX32
Width: 28-3/4"
Depth: 24-3/4"
Height: 43-3/4"

Finishes



Other finishes are available. Check website.

The information contained in this drawing is the sole property of Audio Visual Furniture International. Any reproduction in part or as a whole without the written permission of Audio Visual Furniture International is prohibited. AVFI can build or modify stock configurations to suit customer specifications. Please contact us to discuss how this service can help meet your needs. Some quantity restrictions may apply. Specification subject to change without notice. Computers, cameras, monitors, etc. are shown to illustrate product usage and are not included unless otherwise noted.



LEX33 is a large surface and elegant presentation lectern with flip up surface for locking storage. It features a 36" X 18" work surface to accommodate lecture notes or a laptop, PC storage, inner shelves with wiring channels and 2" casters (2 front are locking). Finished with a highly resistant black thermowrap top and your choice of thermowrap color body.

Standard Features

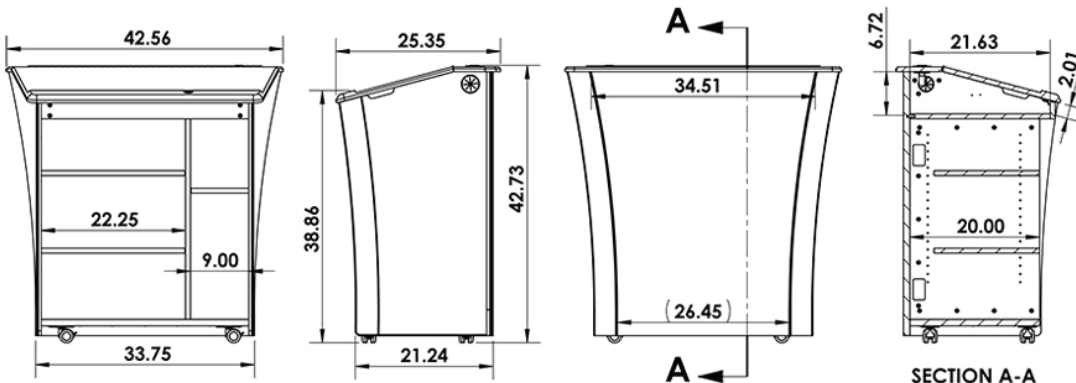
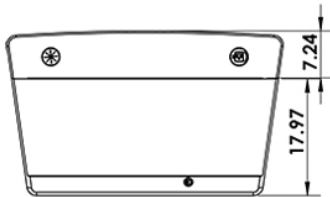
- Large angled 36"W x 18"H work surface
- Flat top for mounting LCD arm
- 1x **CUB3** Grommet with 110v and 2A USB power
- Locking flip open top with storage inside
- Cable pass through on top and sides of the unit
- Height adjustable interior shelves with cable pass through
- PC storage space 9"W x 20"D x 31"H
- 2" casters (2 front are locking)
- Thermowrapped lectern with choice of finishes
- Ships assembled



Optional DIR9200-12 rack module shown

Options

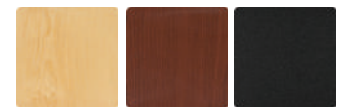
- **C900S** Single adjustable monitor arm
- **C900D** Dual adjustable monitor arm
- **PLM1022** 10" - 24 Monitor mount
- **CUB3** Round Cable Well (Additional)
- **PC-PATCH** 2x 110AC, RJ45, Phone, 2xUSB
- **SF-PB3** Surface mounted 3-outlet 120V power bar
- **PB** Six outlet power bar with 10 ft. cord
- **FM3** Count down timer/clock
- **MIC-18** MX418 S/C Shure Gooseneck microphone
- **LIGHT-18** Littlite Gooseneck
- **DIR9200-10/12** 10U/12U Rack module
- **CUSTOM CUTOUT** Cutouts for electronics or other items specified by the customer



Specifications

Model: LEX33
Width: 42-1/2"
Depth: 25-3/8"
Height: 42-3/4"

Finishes



Other finishes are available. Check website.

The information contained in this drawing is the sole property of Audio Visual Furniture International. Any reproduction in part or as a whole without the written permission of Audio Visual Furniture International is prohibited. AVFI can build or modify stock configurations to suit customer specifications. Please contact us to discuss how this service can help meet your needs. Some quantity restrictions may apply. Specification subject to change without notice. Computers, cameras, monitors, etc. are shown to illustrate product usage and are not included unless otherwise noted.



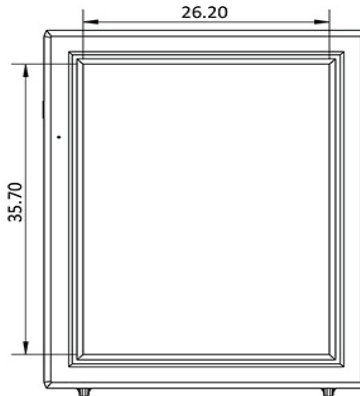
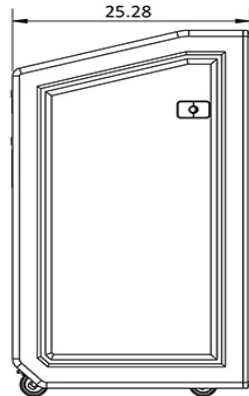
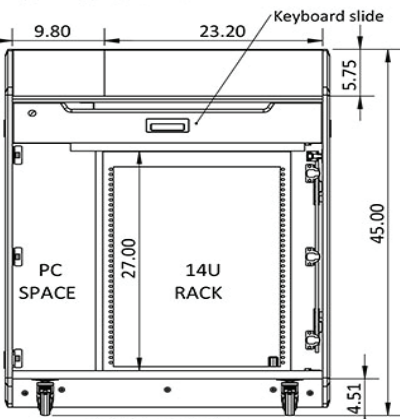
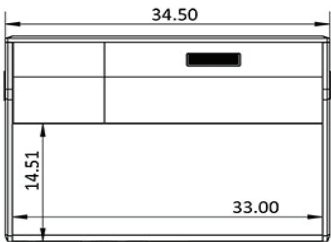
LEX36 Multimedia lectern features 14 rack spaces, PC space and can accommodate a folding side shelf opposite the pocket door. Clean audience side look with hidden full access rear door. Other features include: locking front pocket door, locking PC door, pull-out keyboard and mouse tray, removable wedge or flat surface pods, quiet cooling fan and heavy duty casters. Scratch resistant thermowrap surfaces offered in many color options.

Standard Features

- Flat or wedge top pod option to suit your interface requirements. Cutouts available.
- Rear door with innovative hidden lock for full access to equipment from audience side as well as a locking keyboard door
- Interior space with 14U 19" rack frame (21" D)
- Hide away locking front pocket door
- Locking PC space for full and mid-tower computers
- Quiet 120mm cooling fan and cutout for optional 2nd fan
- Heavy duty casters (2 locking)
- Thermowrapped lectern with choice of finishes
- Ships assembled

Options

- C900S Single adjustable monitor arm
- PLM1022 10" - 24" Monitor mount
- MM1232 12" - 32" Monitor mount (Requires flat top surface)
- MCB1925 19" - 25" Monitor/camera bracket
- FM3 Count down timer/clock
- MIC-18 MX418 S/C Shure Gooseneck microphone
- LIGHT-18 Littlite Gooseneck
- PB Six outlet power bar with 10 ft. cord
- PC-PATCH 2x 110AC, RJ45, Phone, 2x USB
- SF-PB3 Surface mounted 3-outlet 120V power bar
- CUB3 Round cable well
- CUB5 Round cable well (Black or silver)
- CUB8 Table top cable well
- 9031/9041/9052 Utility metal shelves/drawer (Check website)
- DIR9200-10/12 10U/12U Rack module
- SH-FL-EX Folding side shelf (Black)
- RMT14 Rear 14U rack frame kit
- 9107 Lacing bar (19" long)
- MAGKEY Additional key for hidden locks
- LEV4AX4 4x Levelers for non-mobile applications
- GRC60 60mm Round grommet. Black-B, white-W & grey-G
- CUSTOM CUTOUT Cutouts for electronics or other items specified by the customer



Specifications

Model: LEX36
Width: 34.5"
Depth: 25.3"
Height: 45"

Finishes



Other finishes are available. Check website.

DOORS HIDDEN

The information contained in this drawing is the sole property of Audio Visual Furniture International. Any reproduction in part or as a whole without the written permission of Audio Visual Furniture International is prohibited. AVFI can build or modify stock configurations to suit customer specifications. Please contact us to discuss how this service can help meet your needs. Some quantity restrictions may apply. Specification subject to change without notice. Computers, cameras, monitors, etc. are shown to illustrate product usage and are not included unless otherwise noted.



LEXYZ20-C



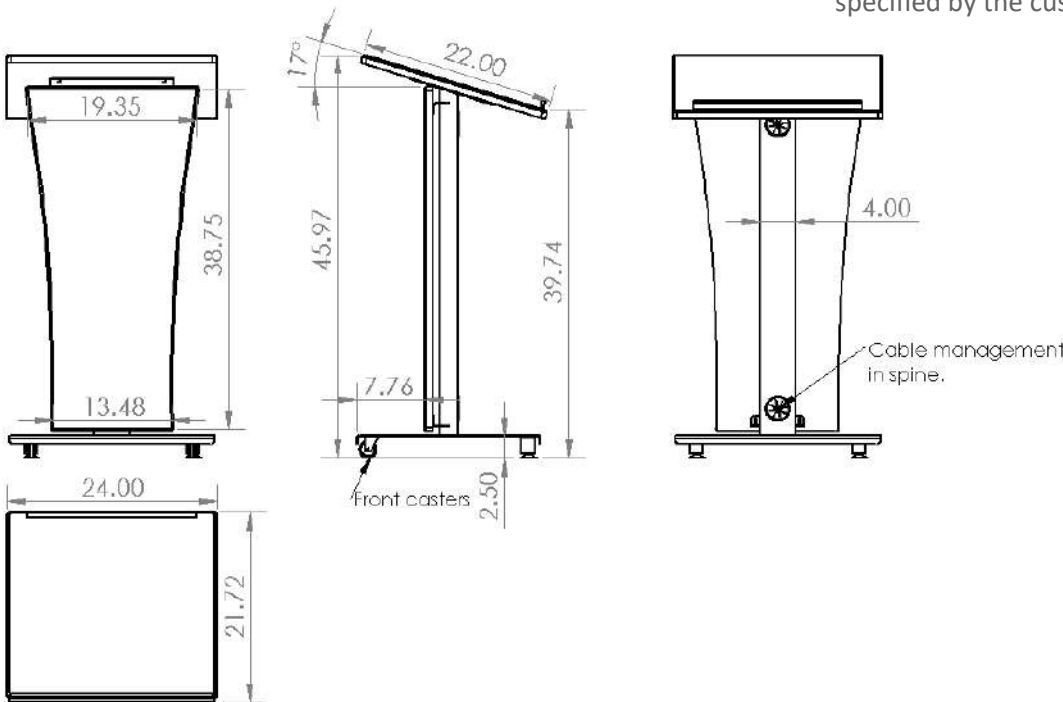
LEXYZ20-C is a modern, elegant and solid mobile lectern that you can choose your front panel and roll where it is desired. Perfect for giving conferences, public presentations or speeches.

Standard Features

- 2 front wheels that allow the unit to be moved where it is desired when tilted
- 22" X 24" surface top with a 17° angle
- Integrated pencil stop
- Cable pass through inside the unit so the cables are tied and neat.
- Accessible base design
- Sturdy metal silver base and body
- Top and front panel of lectern has thermowrap finish, available in River Cherry-RCT, Crossfire Java-CJT and Elegance-ELT
- Ships assembled

Options

- **PB** Six outlet power bar with 10 ft. cord
- **CUB3** Round cable well
- **MIC-18** MX418 S/C Shure Gooseneck microphone
- **LIGHT-18** Littlite Gooseneck
- **CUSTOM CUTOUT** Cutouts for electronics or other items specified by the customer



Specifications

Model: LEXYZ20-C
Width: 24"
Depth: 26"
Height: 46"

Finishes



Other finishes are available. Check website.

The information contained in this drawing is the sole property of Audio Visual Furniture International. Any reproduction in part or as a whole without the written permission of Audio Visual Furniture International is prohibited. AVFI can build or modify stock configurations to suit customer specifications. Please contact us to discuss how this service can help meet your needs. Some quantity restrictions may apply. Specification subject to change without notice. Computers, cameras, monitors, etc. are shown to illustrate product usage and are not included unless otherwise noted.



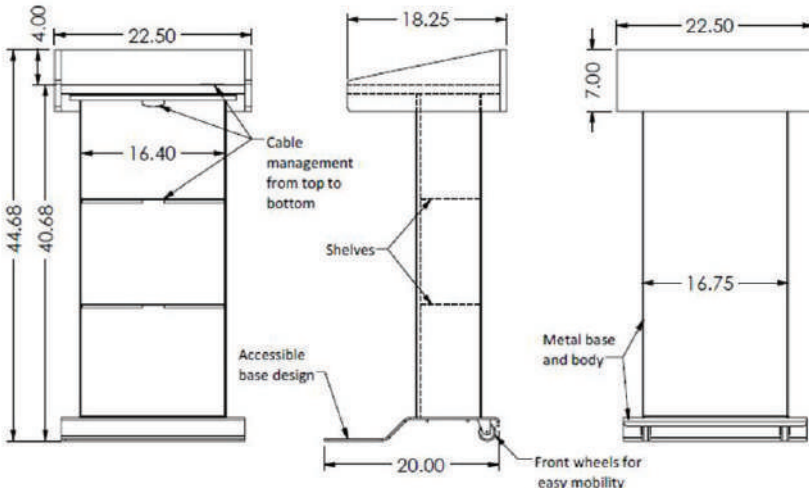
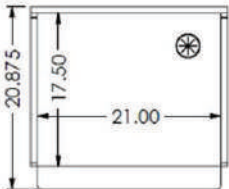
LEXYZ27 is a modern, elegant and solid mobile lectern that you can roll where it is desired. Perfect for giving conferences, public presentations or speeches.

Standard Features

- Accessible base design that allows close access and large footprint for a stable base
- 21" X 17.5" flat surface top
- 2 interior shelves for storing notes or a glass of water
- Cable grommet on top surface
- Cable pass through inside the unit so the cables are tied and neat
- Sturdy metal silver base and body
- Top of lectern has wood grain laminate finish, available in many colors
- 2 front wheels that allow the unit to be moved where it is desired
- Ships assembled

Options

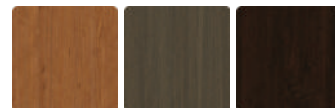
- **PB** Six outlet power bar with 10 ft. cord
- **CUB3** Round cable well
- **CUB4** Black-B/Silver-S Power Panel
- **PC-PATCH** 2x 110AC, RJ45, Phone, 2x USB
- **CHGQIW/B** Wireless charging station white or black
- **CHGQI-DNGL** Lightning, USB Type-C, Micro-USB. Requires CHGQIW/B
- **MIC-18** MX418 S/C Shure Gooseneck microphone
- **LIGHT-18** Littlite Gooseneck
- **CUSTOM CUTOUT** Cutouts for electronics or other items specified by the customer



Specifications

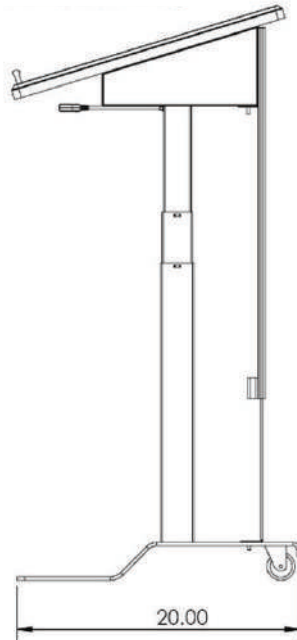
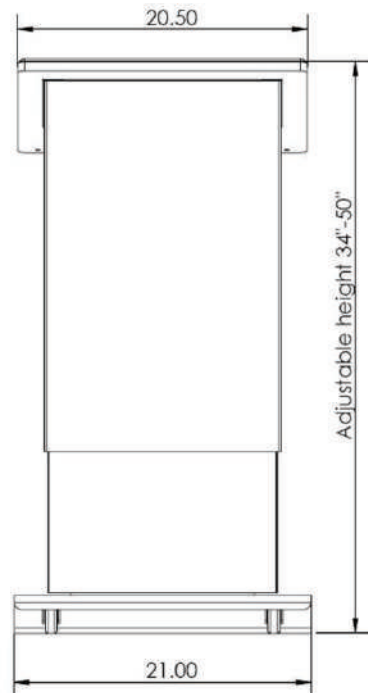
Model: LEXYZ27
Width: 22.50"
Depth: 20"
Height: 44.68"

Finishes (Top)



Other finishes are available. Check website.

The information contained in this drawing is the sole property of Audio Visual Furniture International. Any reproduction in part or as a whole without the written permission of Audio Visual Furniture International is prohibited. We can build or modify stock configurations to suit customer specifications. Please contact us to discuss how this service can help meet your needs. Some quantity restrictions may apply. Specification subject to change without notice. Computers, cameras, monitors, etc. are shown to illustrate product usage and are not included unless otherwise noted.



LEXYZ28 is an elegant & functional height adjustable lectern. It is ideal for environments where adjustable height or ADA is required.

Standard Features

- Suitable for a tall or short person
- Silent lift mechanism raises the work surface from 34" to 50.5"
- Push button activated lift has a display with height read (either in cm or inches) and memory to store your favorite positions
- Features a 21" X 21" working surface which provides room for speaker notes, books and other material
- Surface has a 17 degree angle with a lip on the bottom
- Rolls on 2 rear wheels when tilted
- Accessible base shape
- **Finish:** thermowrap top in Ebony-EBT, Elegance-ELT and River Cherry-RCT with grey metal body and base

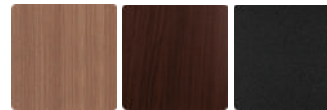
Options

- **PB** Six outlet power bar with 10 ft. cord
- **MIC-18** MX418 S/C Shure Gooseneck microphone
- **LIGHT-18** Littlite Gooseneck
- **GRC60** 60mm Round grommet. Black-B, white-W & grey-G
- **CUSTOM CUTOUT** Cutouts for electronics or other items specified by the customer

Specifications

Model: LEXYZ28
Width: 21"
Depth: 21"
Height: 34" - 50.5"

Finishes



Other finishes are available. Check website.

The information contained in this drawing is the sole property of Audio Visual Furniture International. Any reproduction in part or as a whole without the written permission of Audio Visual Furniture International is prohibited. We can build or modify stock configurations to suit customer specifications. Please contact us to discuss how this service can help meet your needs. Some quantity restrictions may apply. Specification subject to change without notice. Computers, cameras, monitors, etc. are shown to illustrate product usage and are not included unless otherwise noted.

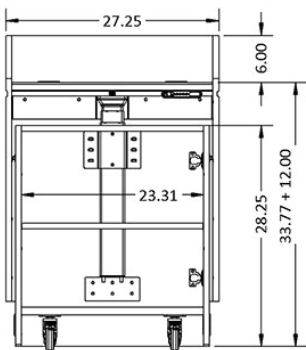
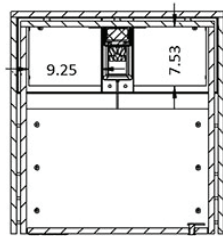
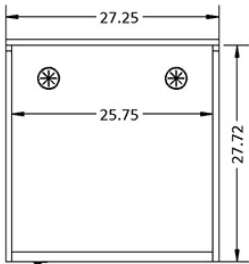
LEXYZ34 Height Adjustable Lectern



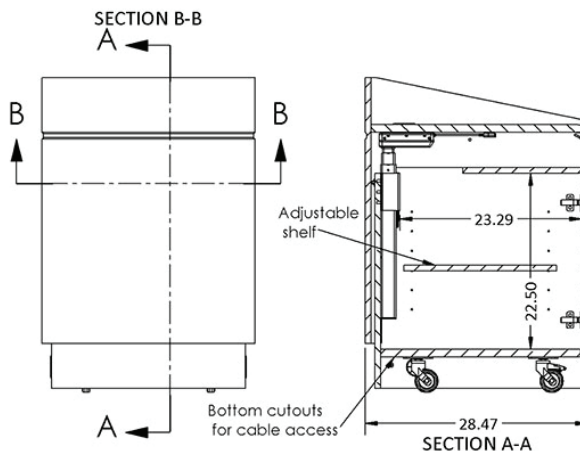
Shown with optional **CNL26** & **CUB8** installed (Sold separately)



Shown with optional **DIR9200-12** (Sold separately)



Front door is hidden for detail



The **LEXYZ34** is a height adjustable lectern that will serve the needs of any user, regardless of their height. It features silent lift mechanism and surface to support monitors, laptops and room control systems.

Standard Features

- Roll-about multimedia lectern
- Suitable for a tall or short person
- Silent lift mechanism raises the work surface from 32.5" to 48.5"
- Surface to support monitors, laptops and room control systems
- Interior adjustable shelf which can be removed to install an optional 12U rack module
- One (1) locking door
- Highly resistant thermowrap surface/body finish
- 3" heavy duty casters (2 locking)

Options

- **PLM1022** 10" - 24" Monitor mount
- **C900S** 15" - 24" Adjustable Monitor mount
- **FM3** Count down timer/ clock
- **MIC-18** MX418 S/C Shure Gooseneck microphone
- **LIGHT-18** Littlite Gooseneck
- **FAN** Quiet cooling fan
- **PB** Six outlet power bar with 10 ft. cord
- **PC-PATCH** 2x 110AC, RJ45, Phone, 2x USB
- **SF-PB3** Surface mounted 3-outlet 120V power bar
- **CUB3** Round cable well
- **CUB4** Black-B/Silver-S Power Panel
- **CUB5** Round cable well
- **CUB8** Table top cable well
- **CHGQIW/B** Wireless charging station white or black. Only on flat cutout
- **CHGQI-DNGL** Dongle Lightning, USB Type-C, Micro-USB. Requires CHGQIW/B
- **CNLYZ13** 13" Console
- **CNLYZ26** 26" Console
- **DIR9200-12** 12U Rack module
- **CUSTOM CUTOUT** Cutouts for electronics or other items specified by the customer. Top surface and/or console area only.

Specifications

Model: LEXYZ34
Width: 27.31"
Depth: 28.85"
Height: 43.2"

Finishes



Other finishes are available. Check website.

The information contained in this drawing is the sole property of Audio Visual Furniture International. Any reproduction in part or as a whole without the written permission of Audio Visual Furniture International is prohibited. AVFI can build or modify stock configurations to suit customer specifications. Please contact us to discuss how this service can help meet your needs. Some quantity restrictions may apply. Specification subject to change without notice. Computers, cameras, monitors, etc. are shown to illustrate product usage and are not included unless otherwise noted.