

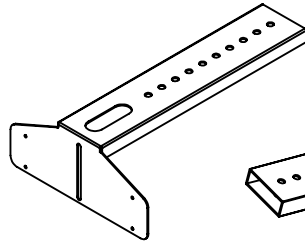
## Assembly and Mounting Instructions

Thank you for purchasing AVFI's small-medium display mounting system. This product was designed for tabletop mounting of a single LCD display sized 12-32" and weighing no more than 60 lbs.

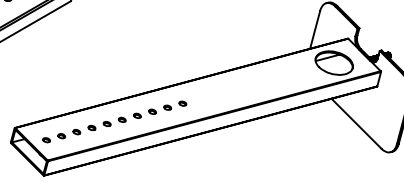
**Note:** If you cannot understand these instructions or are concerned about safety of the installation Contact a qualified contractor or contact AVFI at 1-877-834-3876.

Confirm all hardware is included before you begin assembly.  
Not all hardware supplied will be used depending on the manufacturer of your display/s.

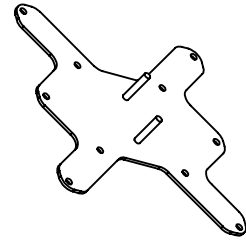
### Supplied Parts:



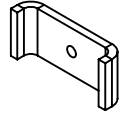
Camera Neck 1x



Spine 1x



TV Bracket 1x



Clamp 1x

### Supplied Hardware:

(See Hardware Bag)



Spacer  
(4)



5/16 Nut  
(3)



4mm Hex Key  
(1)



M4 x 25  
(4)



M4 x 12  
(4)



M4 Washer  
(4)



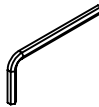
Cable Tie Mount  
(2)



M3 x 8  
(4)



1/4-20 x 3/8  
(1)



5mm Hex Key  
(1)



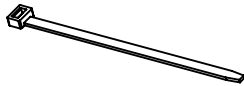
M5 x 25  
(4)



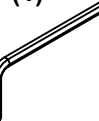
M5 x 12  
(4)



M5 Washer  
(4)



Cable Tie  
(2)



6mm Hex Key  
(1)



M6 x 25  
(4)

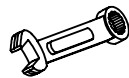


M6 x 12  
(4)



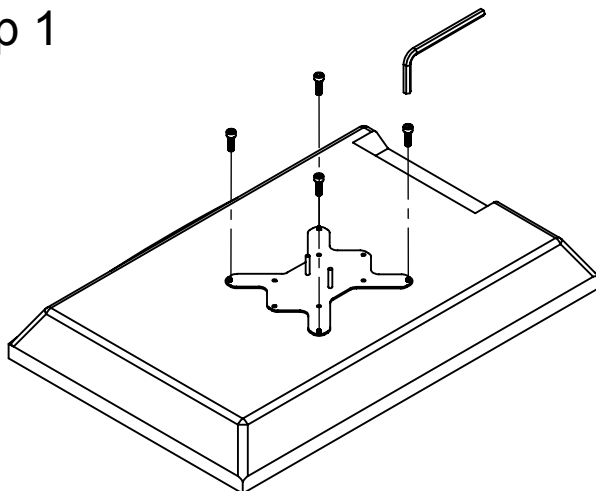
M6 Washer  
(4)

### Tools required:



Wrench or Socket  
1/2 inch

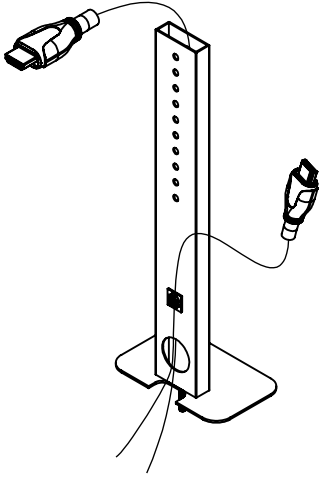
### Step 1



Place TV Bracket over the TV's mounting holes. Attach using the provided bolts and Hex key. Spacer and longer bolts may be required if TV is not flat or inputs are blocked.

## Step 2

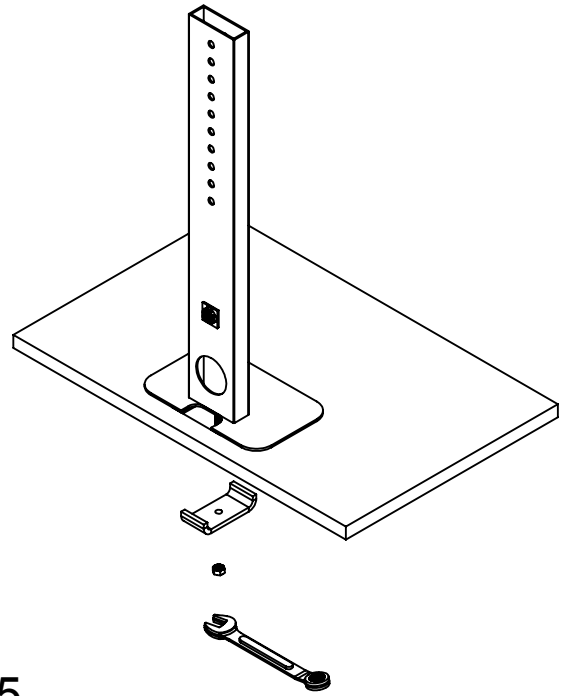
Feed cables for camera and TV through spine. Use cable ties and cable tie mounts to restrain loose cables.



Using the M6 Bolt and Wing nut. Tighten using 5mm Hex Key.

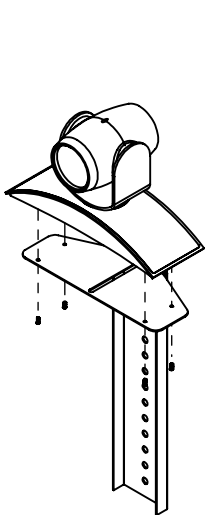
## Step 3

Place the spine over the grommet hole. Then feed the cables through before tightening. Tighten the clamp against the cart surface using a 5/16 nut and wrench.

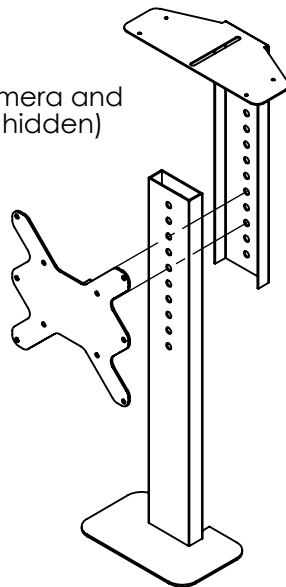


## Step 4

Attach camera to the camera neck using M3 bolts or 1/4-20. (depending on camera model)

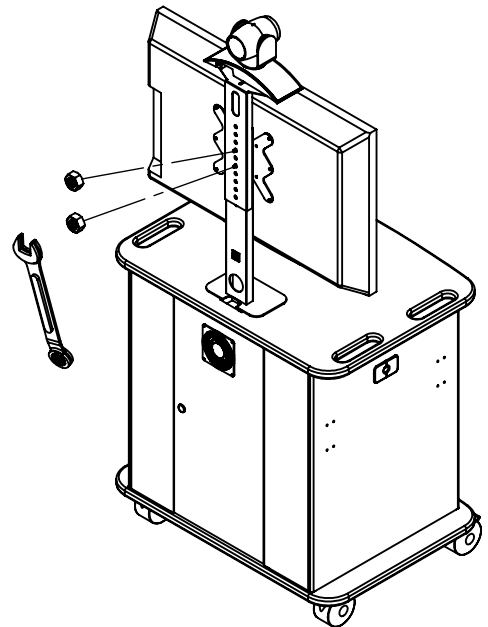


(Camera and TV hidden)



## Step 5

Align the TV and camera neck at the desired height. Use 5/16 nuts and wrench to secure in place.



If you have any problems, questions or suggestions, we value your feedback. Toll free 1-877-834-3876

**You're Done!**

### AUDIO VISUAL FURNITURE INTERNATIONAL

288 Don Hillock Drive Aurora, Ontario L4G 0G9 [www.video-furn.com](http://www.video-furn.com)  
Toll Free: 1-877-834-3876 Fax: 1-905-751-1488 Local: 905-751-1459