



The CPU holder model PCH730 mounts easily to the underside of the work surface and is adjustable to either a vertical or horizontal position. Ideal for desks and tables.

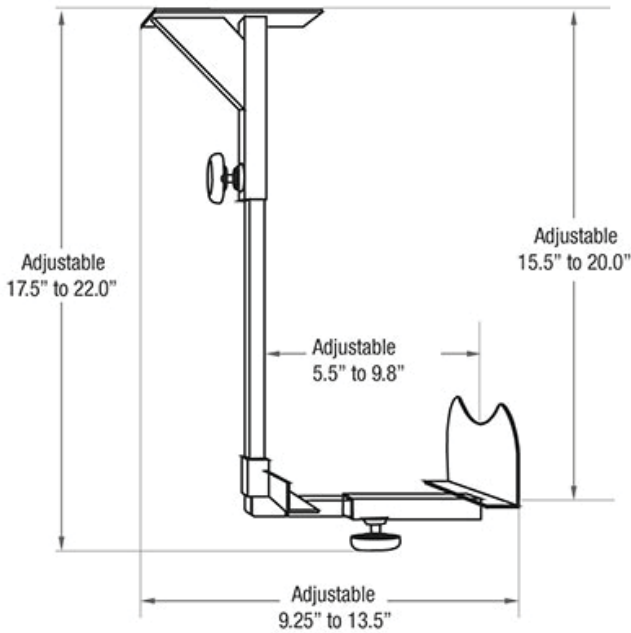
Standard Features

- Mounts easily under the work surface
- Adjustable to either a vertical or horizontal position
- Mounting hardware included

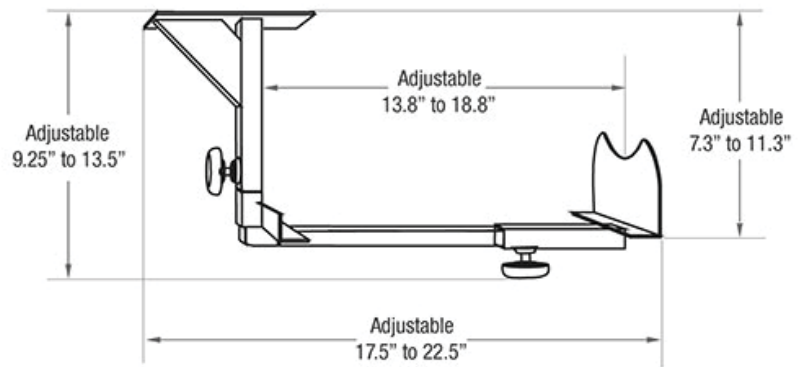
Specifications

Model: PCH730
Width: Vertical position - 5.5" to 9.8"
 Horizontal position - 13.8" to 18.8"
Height: Vertical position - 15.5" to 20.0"
 Horizontal position - 7.3" to 11.3"
Depth: PC depth

Color



Vertical Configuration



Horizontal Configuration

The information contained in this drawing is the sole property of Audio Visual Furniture International. Any reproduction in part or as a whole without the written permission of Audio Visual Furniture International is prohibited. We can build or modify stock configurations to suit customer specifications. Please contact us to discuss how this service can help meet your needs. Some quantity restrictions may apply. Specification subject to change without notice. Computers, cameras, monitors, etc. are shown to illustrate product usage and are not included unless otherwise noted.