



Need to duplicate the functionality of an OEM monitor stand at a more attractive price and have the system roll around from room to room too? Create it with the **PL3070** monitor cart. Add the optional PM2-S (single - 37" to 60" - 200 lbs max), PM2-XL (single - 60" to 90" - 200 lbs max) or PM2-D (dual - 42" to 70" - 200 lbs total max) monitor mount plus your electronics and you are all set.

Standard Features

- Ready for our monitor brackets
- 14U rack mount rails (10-32 screws)
- Acrylic locking front door and locking rear access door
- Ready for optional speakers behind removable side panels
- Fits in corners (Single screen only)
- Perforated metal sides for maximum ventilation
- Wide front wheel base for added stability
- Premium casters with locking front wheels

Options

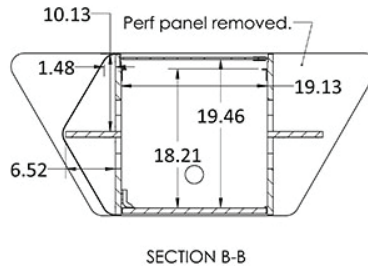
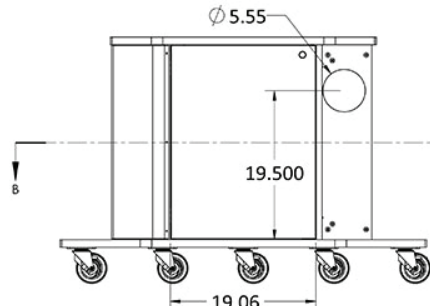
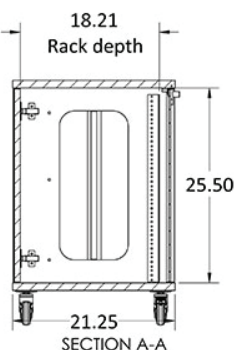
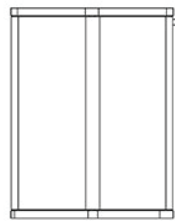
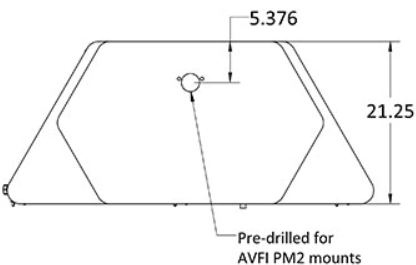
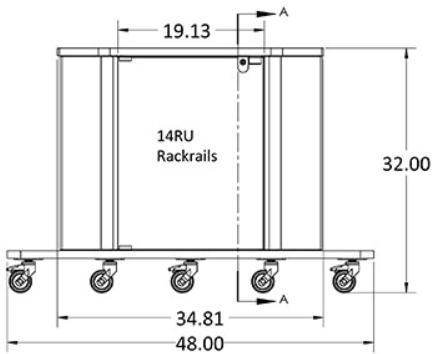
- **PM2-S** Single monitor mount (37"-60"-200 lbs max)
- **PM2-XL** Single XL monitor mount (60"-90"-200 lbs max)
- **PM2-D** Dual monitor mount (42"-70" - 200 lbs total max)
- **MM1232** Monitor and camera mount (12" - 32")
- **PB** Six outlet power bar with 10 ft. cord
- **9031** Vented metal shelf
- **9041** Sliding shelf
- **9052** Sliding drawer
- **RR14** 14U rear rack rails
- **9107** Lacing bar (19" long)
- **LEV4AX5** 5x Levelers for non-mobile applications



PL3070 + Optional Single Mount



PL3070 + Optional Dual Mount (Rear)



Specifications

Model: PL3070
Width: 48"
Depth: 22"
Height: 32"

Finish



The information contained in this drawing is the sole property of Audio Visual Furniture International. Any reproduction in part or as a whole without the written permission of Audio Visual Furniture International is prohibited. We can build or modify stock configurations to suit customer specifications. Please contact us to discuss how this service can help meet your needs. Some quantity restrictions may apply. Specification subject to change without notice. Computers, cameras, monitors, etc. are shown to illustrate product usage and are not included unless otherwise noted.