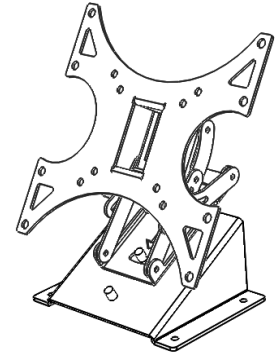


PLM1022 Bracket

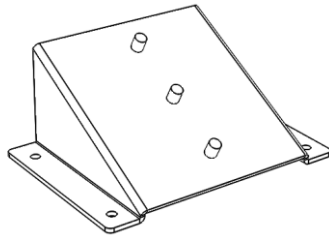
Thank you for purchasing AVFI's PLM-1022 monitor mount.
This product was designed for podium and lectern applications and is compatible with most 10"-24" monitors.

Confirm all hardware is included before you begin assembly.
Read these instructions start to finish before beginning installation.

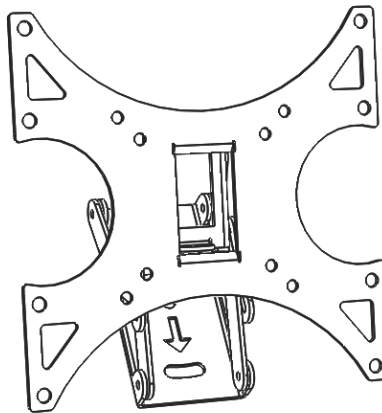
Note: If you cannot understand these instructions or are concerned about safety of the installation contact a qualified contractor or contact AVFI at 1-877-834-3876.



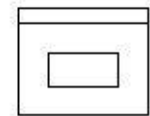
Supplied Parts



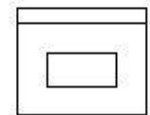
Base



Bracket



LCD-M4
Hardware
Bag



Wood-Screw
Hardware
Bag

Not all hardware supplied will be used.

Supplied Hardware



M4 x 15mm
(4)



M4 x 25mm
(4)



5/16" Nut
(2)
(Attached)



Wood Screw
(4)

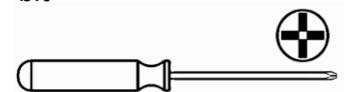
Tools required



1/2" wrench or Socket



Philips Screwdriver +
Or drill + bit



PLM1022

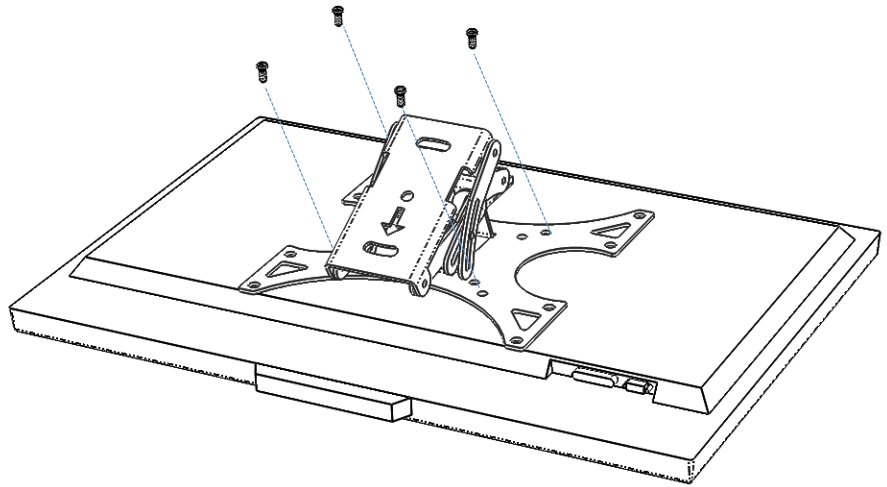
- 1** Attach the PM-1022 mount onto your desired monitor using M4 screws and a Phillips screwdriver. Install the mount with the arrow facing down.



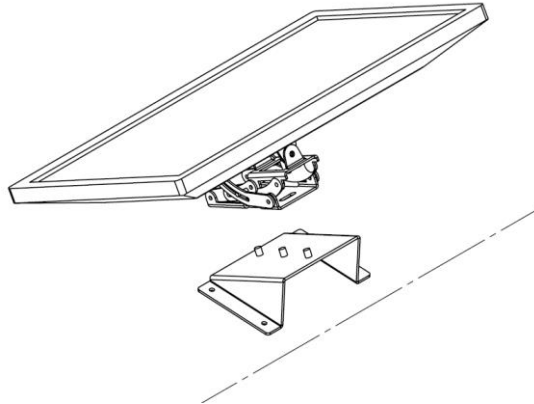
**Phillips
Screwdriver**



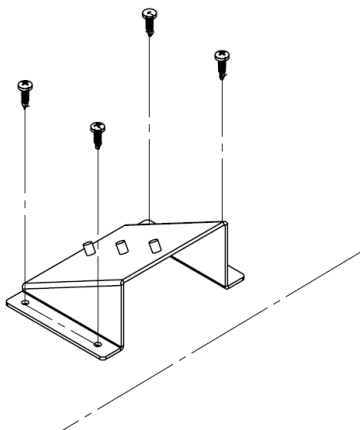
**M4 x 15mm
(4)**



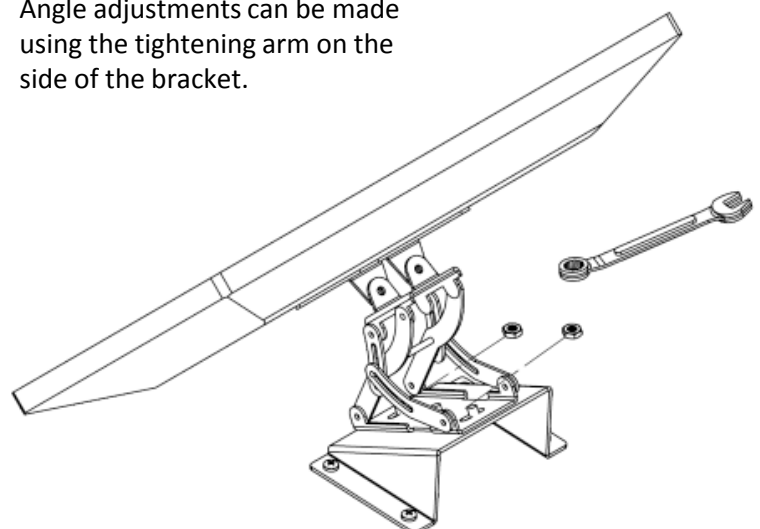
- 2** Place the PLM-1022 base onto your podium or lectern surface and use the monitor assembly to find the desired mounting location.



- 3** Use wood screws and a Drill or Phillips screwdriver to mount the base onto the surface.



- 4** Attach monitor with bracket onto the PM-1022 base in upper or lower position. Use 5/16" nuts to secure in place. Angle adjustments can be made using the tightening arm on the side of the bracket.



Finished!