

PM-HD-EXP

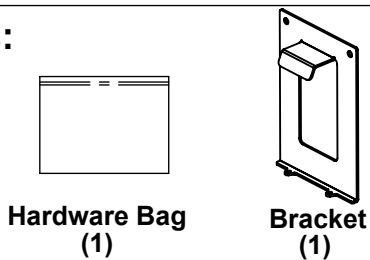
Mounting Instructions

Thank you for purchasing AVFI's LifeSize® Express™ bracket. This product was designed for mounting a LifeSize® Express™ Codec to AVFI PM-S-FL, PM-XFL-D & PM-XFL-S display stands.

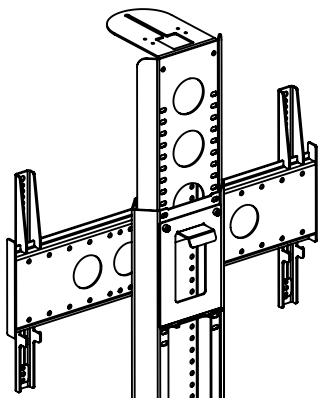
Note: If you cannot understand these instructions or are concerned about safety of the installation Contact a qualified contractor or contact AVFI at 1-877-834-3876.

Confirm all hardware is included before you begin assembly.

Supplied Parts:

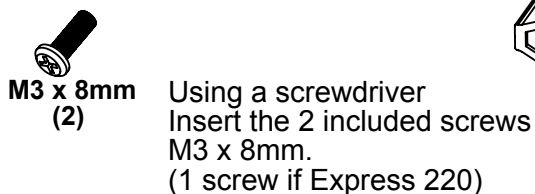
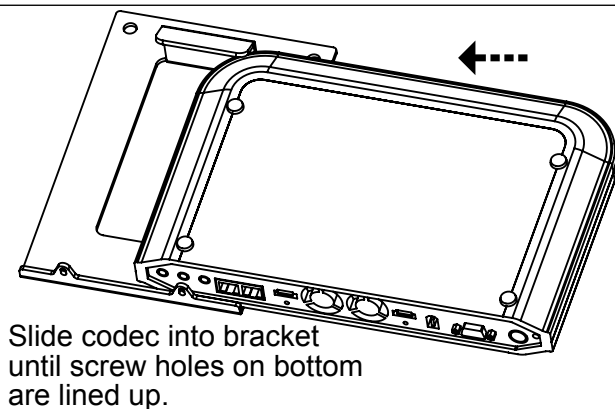
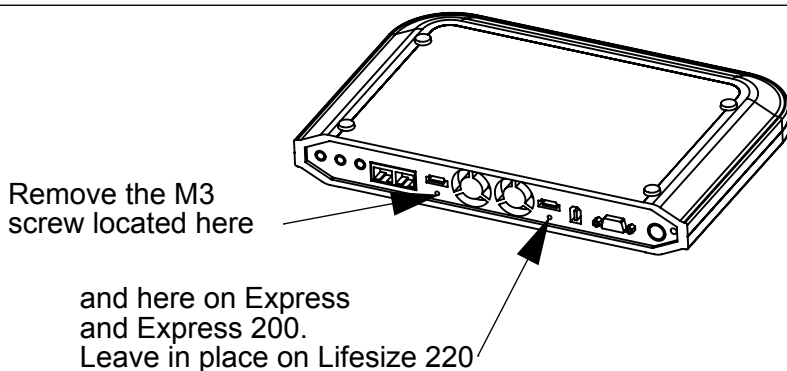
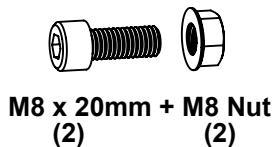


Hardware Bag Contents:



Attach the bracket in the desired position and location using the 2 nuts and bolts provided. Hand tighten the nut till its snug.

Place codec to confirm clearance before tightening with hex key.



You're Done.!