



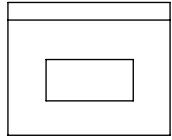
# PM-XFL-S

## Assembly and mounting Instructions

Thank you for purchasing AVFI's large TV mobile stand.  
 This products is designed for free standing mounting of  
 single plasma/lcd displays sized 52-70"  
 For TV compatability, check mfg spec online.  
 Max hole location is 1075mm x 650mm

**Note:** Keep your original packaging until assembly is complete.  
 Two persons are required to attach plasma/lcd displays to this mount.  
 If you cannot understand these instructions or are concerned about safety of the  
 installation. Contact a qualified contractor or contact AVFI at 1-877-834-3876.

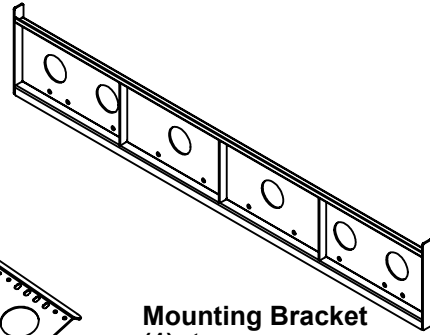
### Supplied Parts:



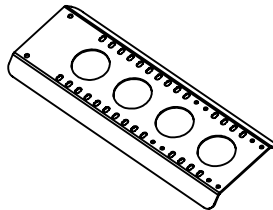
Hardware Bag



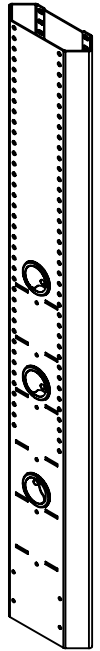
TV Bracket Support (1)qty



Mounting Bracket (1)qty



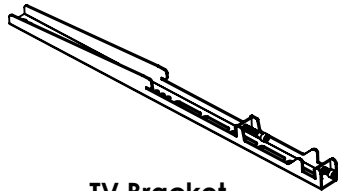
Camera mount neck (1)qty



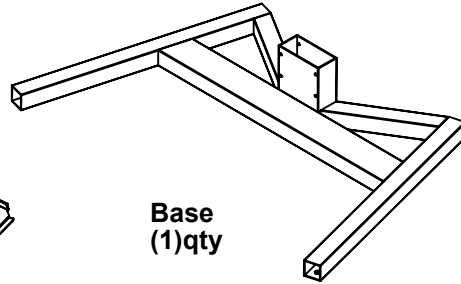
Spine (1)qty



5" Casters (2) W brakes (2) no brakes



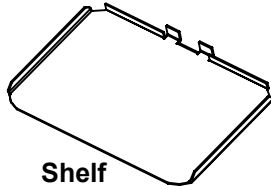
TV Bracket (2)qty



Base (1)qty

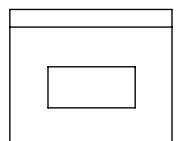
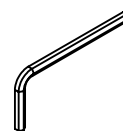
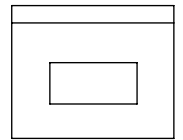
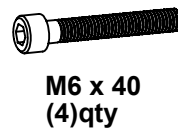
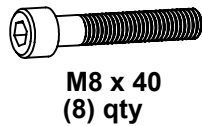
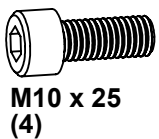


Camera Tongue (1)qty



Shelf (1)qty

### Supplied Hardware: In hardware bag



M10  
M8  
M6

Not all hardware supplied will be used depending on the manufacturer of your display/s.  
 Read these instructions start to finish before beginning installation.

### AUDIO VIDEO FURNITURE INTERNATIONAL

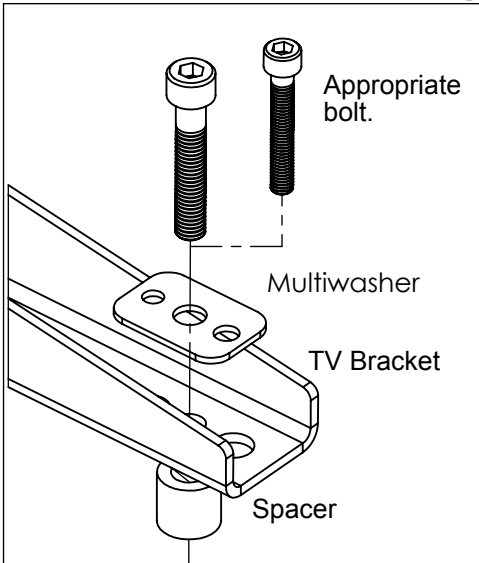
288 Don Hillock Drive Aurora , Ontario L4G 0G9 www.video-furn.com  
 Toll Free: 1-877-834-3876 Fax: 905-751-1488 Local:905-751-1459



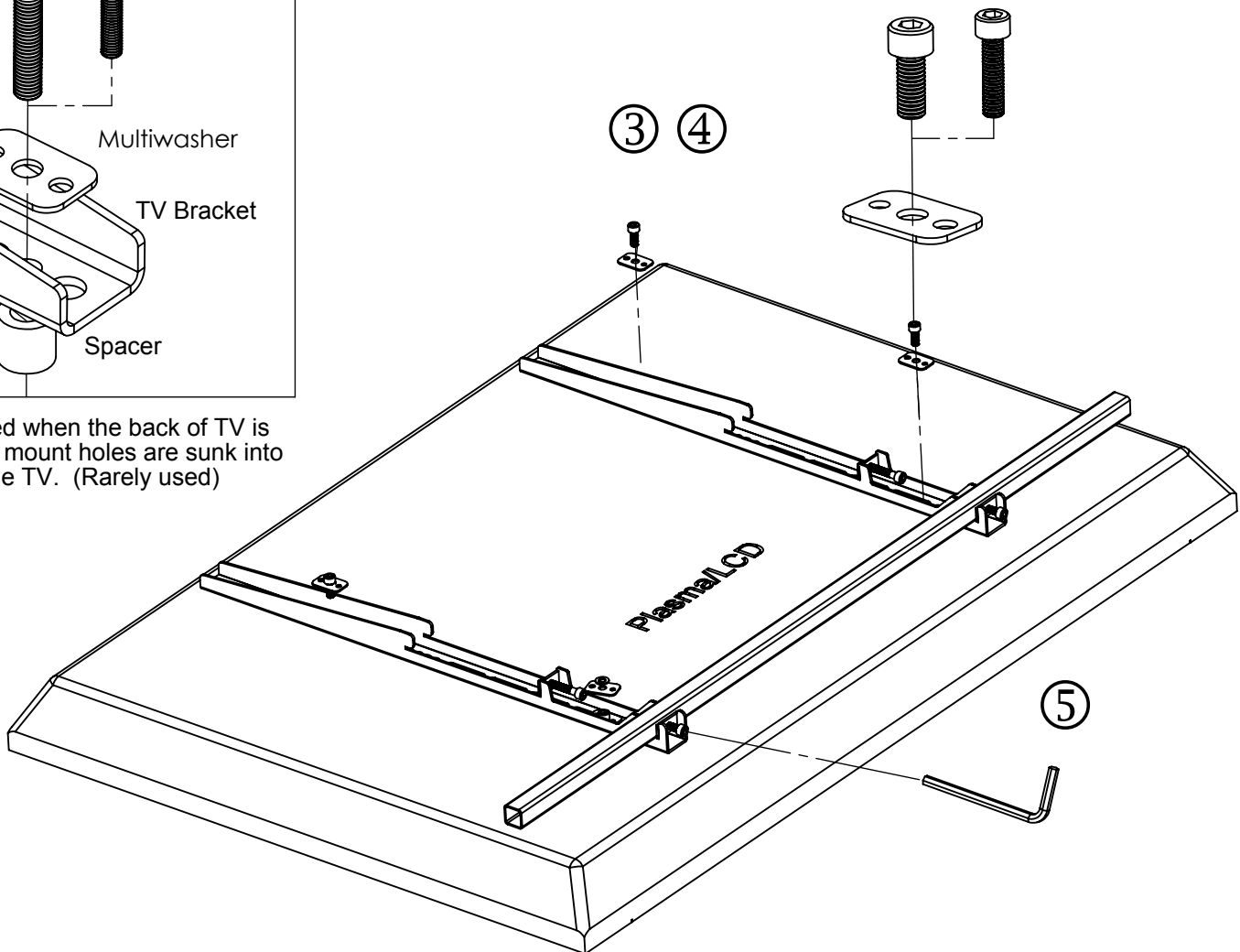
**Note.** Have 2 people lift the TV as it can be very heavy and awkward.

1. Place TV face down on blanket or non abrasive surface such as cardboard.
2. Check to see if your TV came with mounting hardware. If not, we have supplied the most common hardware. Most TV manuals list the required thread and depth for mounting hardware. See which bolt length you need by hand tightening only.
3. Place TV brackets so you can see the TV mounting holes through the bracket and insert bolt through appropriate washer and spring washer for depth adjustment.
4. Use the hex key to tighten until there is resistance, then give a half turn. **DO NOT OVERTIGHTEN AS THIS CAN DAMAGE OR PUNCTURE THE TV**
5. Place XL Brace into the locations at the bottom of the TV brackets while ensuring that it is centred. Use the hex key to tighten until secure.

### Optional Spacer mounting

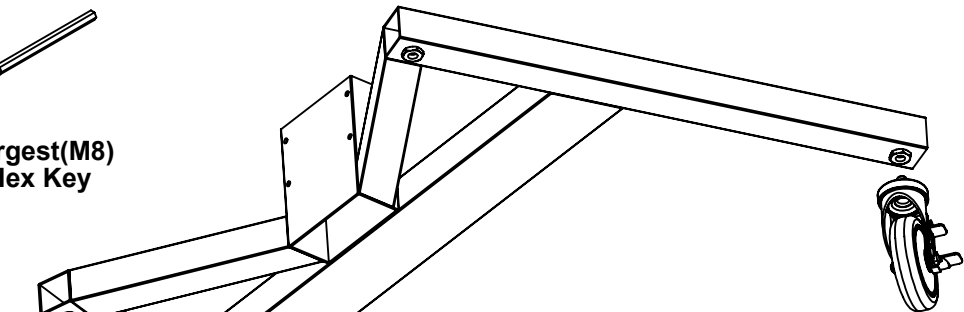


Spacer is used when the back of TV is not flat or the mount holes are sunk into the back of the TV. (Rarely used)



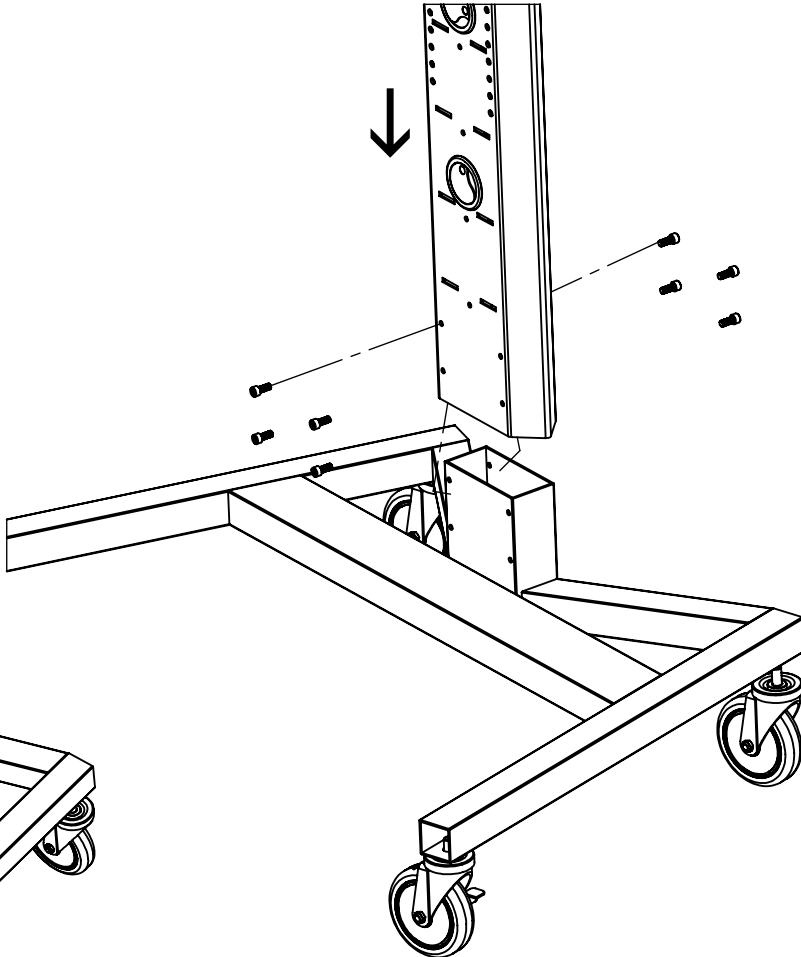
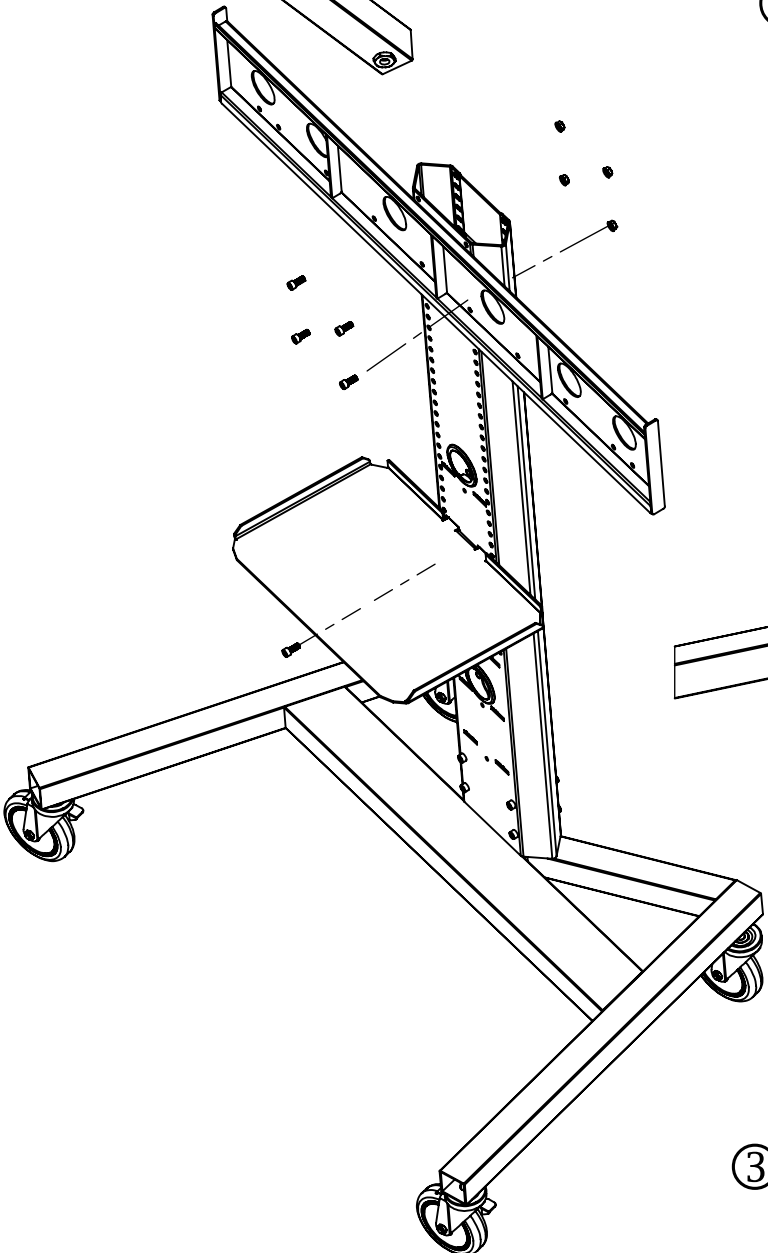


Largest (M8)  
Hex Key



① 1. Turn Casters into threads on base.  
Place 2 locking caster in front.

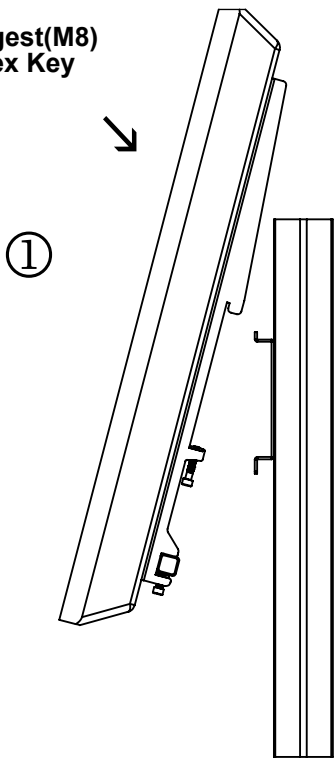
② 2. Insert main spine column onto base.  
Hand tighten all eight M8x20 bolts before  
securely tightening with hex key.



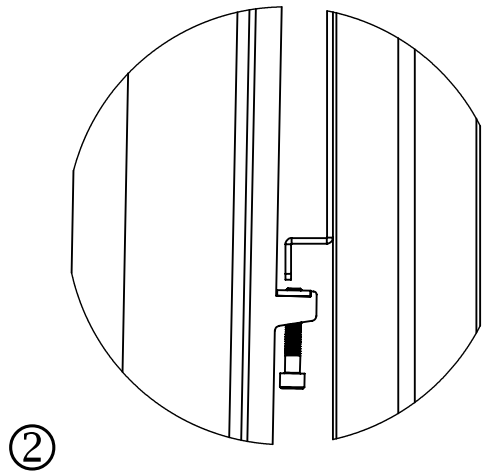
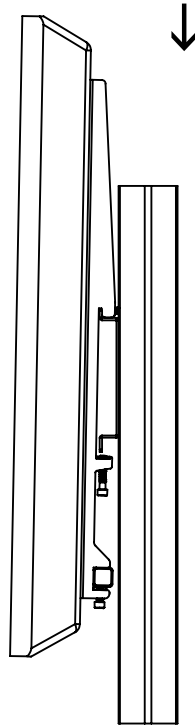
③ 3. Install bracket at desired position using  
M8x20 nuts and bolts.  
Install shelf at preferred height with a single  
M8x20.



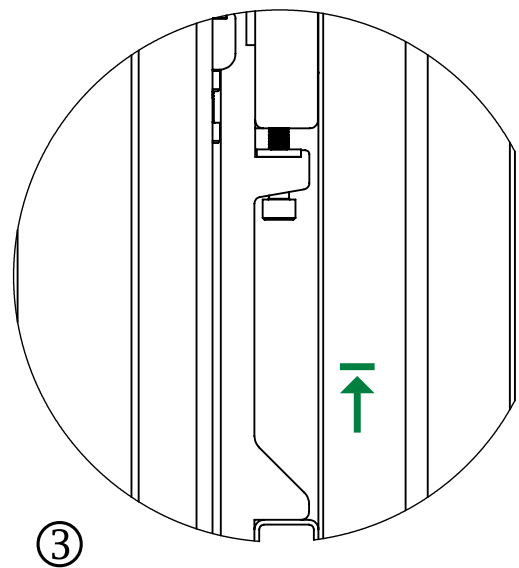
**Note:** 2 people should lift and secure the TV as it can be heavy and awkward.



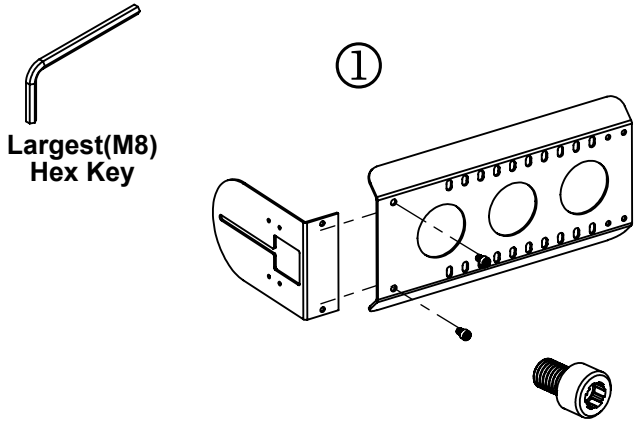
Hang the TV , First hooking the top of the Mounting Bracket rail then allowing the TV to rest on the rail.



Make sure Bolt clears bracket, TV will tilt until its flush with the mount, Tighten bolt until it catches on the bracket.



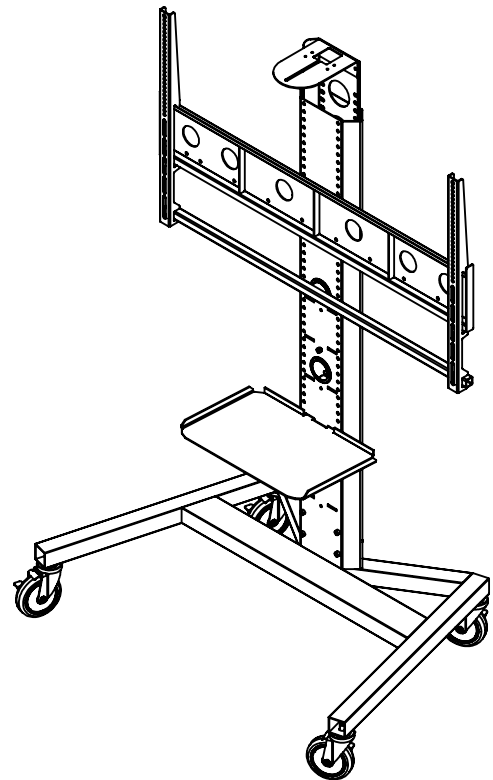
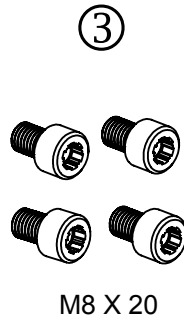
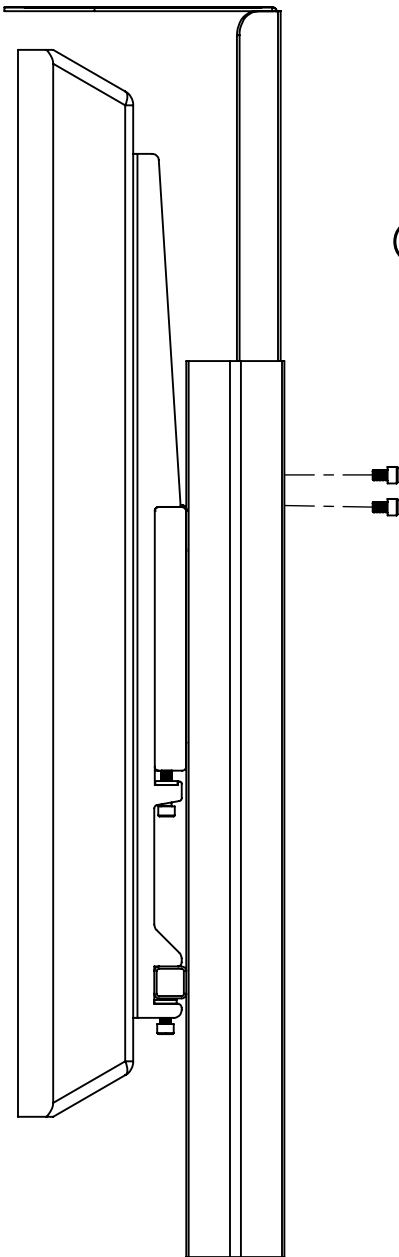
Once your TV is centered. Completely tighten bolt against metal bracket.



1. Bolt tongue to camera mount neck
2. Insert mount neck into mounting spine until tongue is close to the top of the tv.
3. Bolt camera mount neck into mounting spine. Tongue is now ready for camera.

You will notice you have a bit of hardware left over which you may need in the future. We suggest placing this in a small bag and taping it inside the bottom back of the main pillar. If you have any problems, questions or suggestions, we value your feedback. Toll free 1-877-834-3876

For our latest listing of compatible monitors email our sales department [sales@video-furn.com](mailto:sales@video-furn.com)



## AUDIO VIDEO FURNITURE INTERNATIONAL