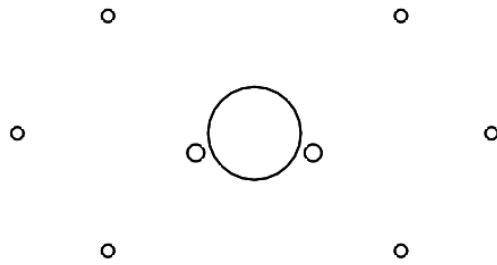
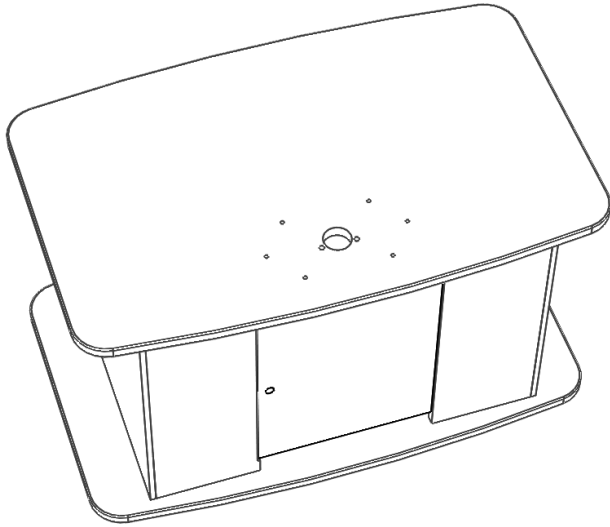


Note: PM2 mounts hole pattern.

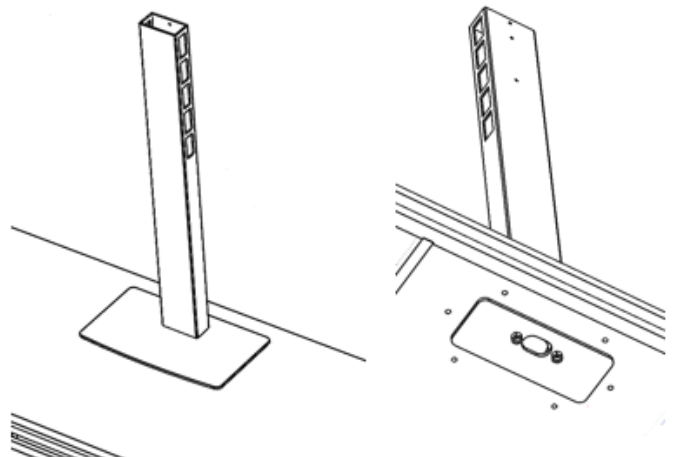


Note:

If your cart or credenza has precut holes to support this PM2-mount:

You may have both old and new hole patterns precut into your furniture as we transition from first to second generation.

These are designed to work with either generation mounts and will not affect the strength or appearance of the mount or furniture.



PM2-S/D/XL/CS Mounts

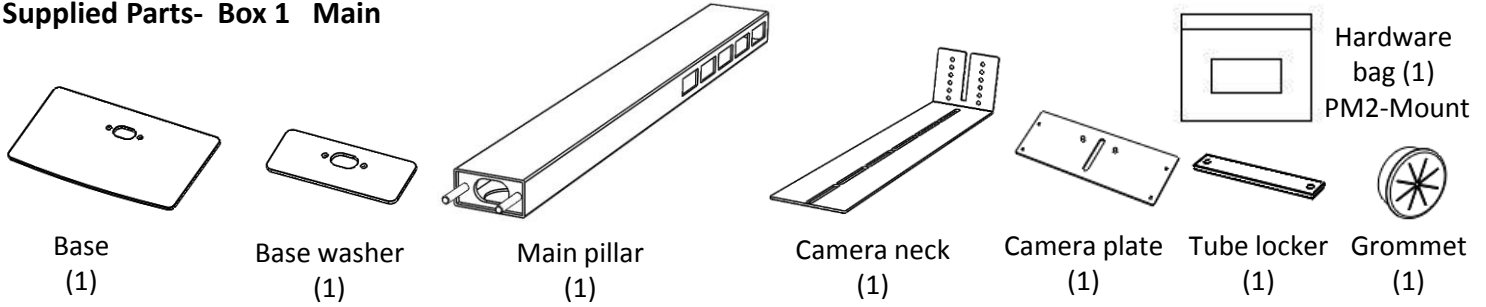
Thank you for purchasing AVFI's PM2-series mount.

This product is designed for mounting to a table, cart or credenza at approx. 30" height.

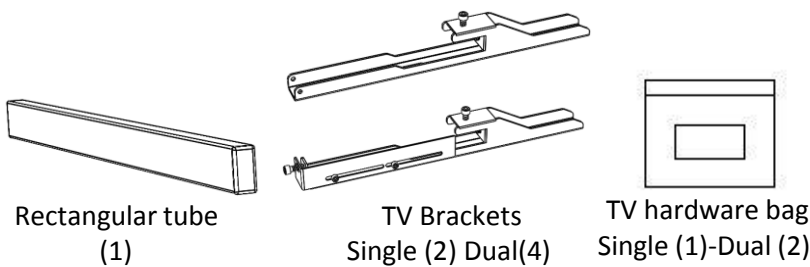
Read these instructions start to finish before beginning installation.

Note: If you cannot understand these instructions or are concerned about safety of the installation contact a qualified contractor or contact AVFI at 1-877-834-3876

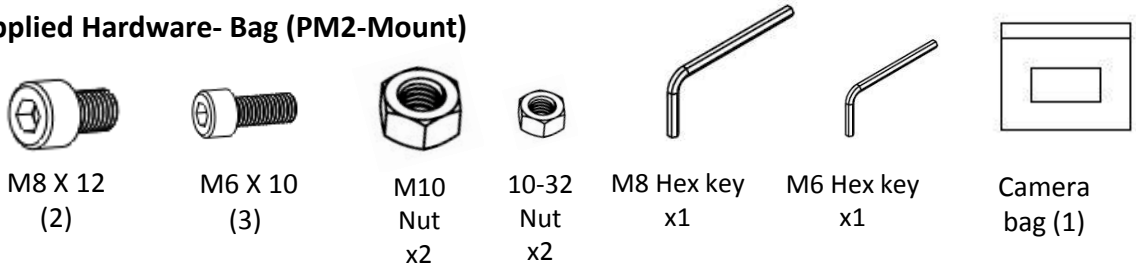
Supplied Parts- Box 1 Main



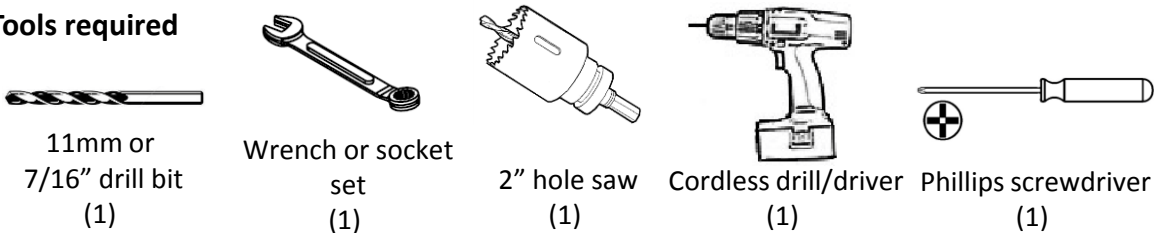
Mount Parts- Box 2 Parts and quantity will vary depending on model.



Supplied Hardware- Bag (PM2-Mount)



Tools required



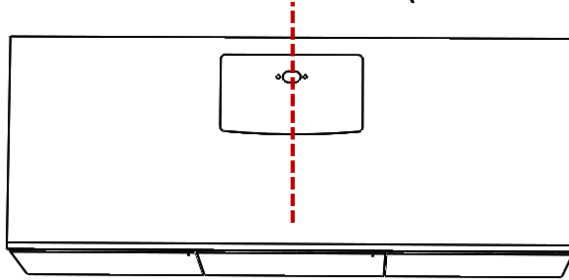
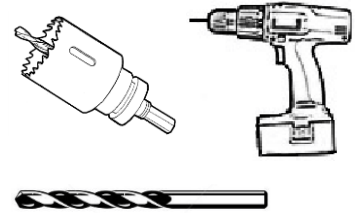
Not all hardware supplied will be used, depending on setup and the manufacturer of your display.

PM2-S/D/XL/CS Mounts

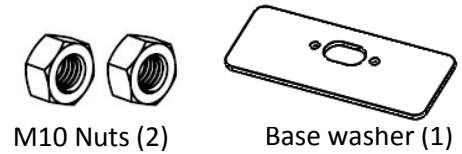
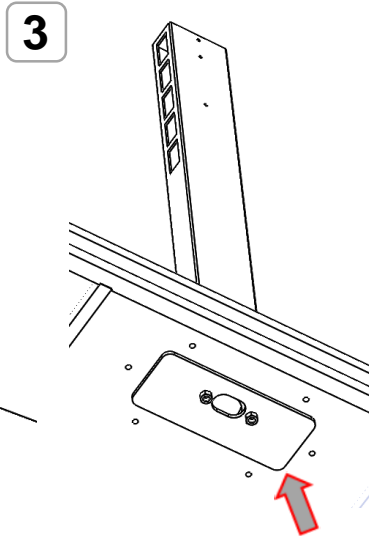
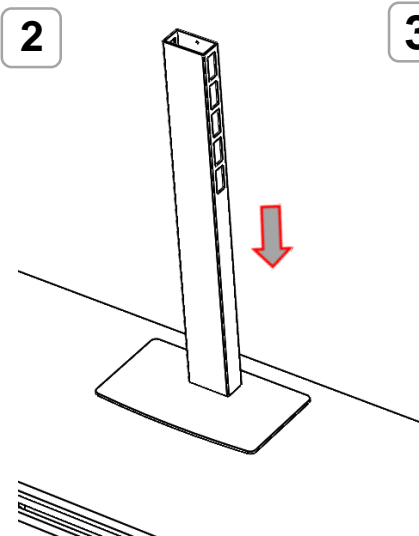
1 Check furniture from underside to see if partial cuts are there.
(Partial cut is routing 3/4 way thru bottom side)
If so. Use existing cuts as guide , finish cuts all the way through to top.

If not.

- A. Center base at desired location, Approx. 3" from back of plate to back of furniture. Check inside for hole and bolt clearance or interference.
- B. Using Base as guide, drill through base round holes and furniture.
- C. Mark slot location and drill with hole saw. (remove Base before drilling)

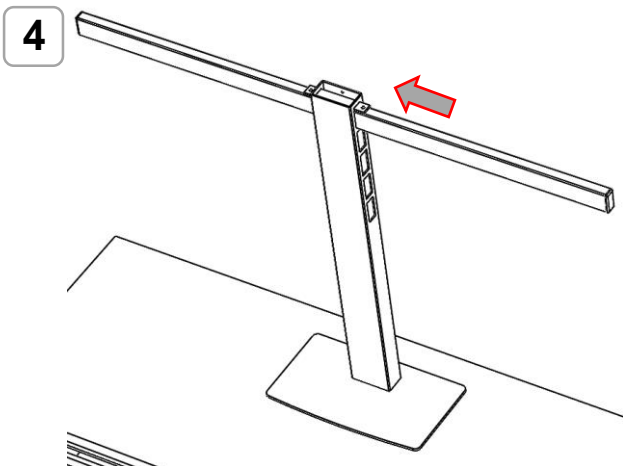


(Most AVFI furniture is precut or partially cut to accommodate this mount.)



2. Slide Main Pillar into drilled holes
(Make sure top holes are at the back for camera above TV and holes + grommet at front for camera below TV)(See Step 9* for details)

3. Attach Base Washer and secure with Nuts From underneath.



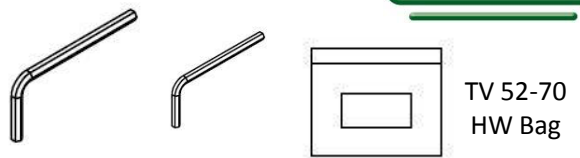
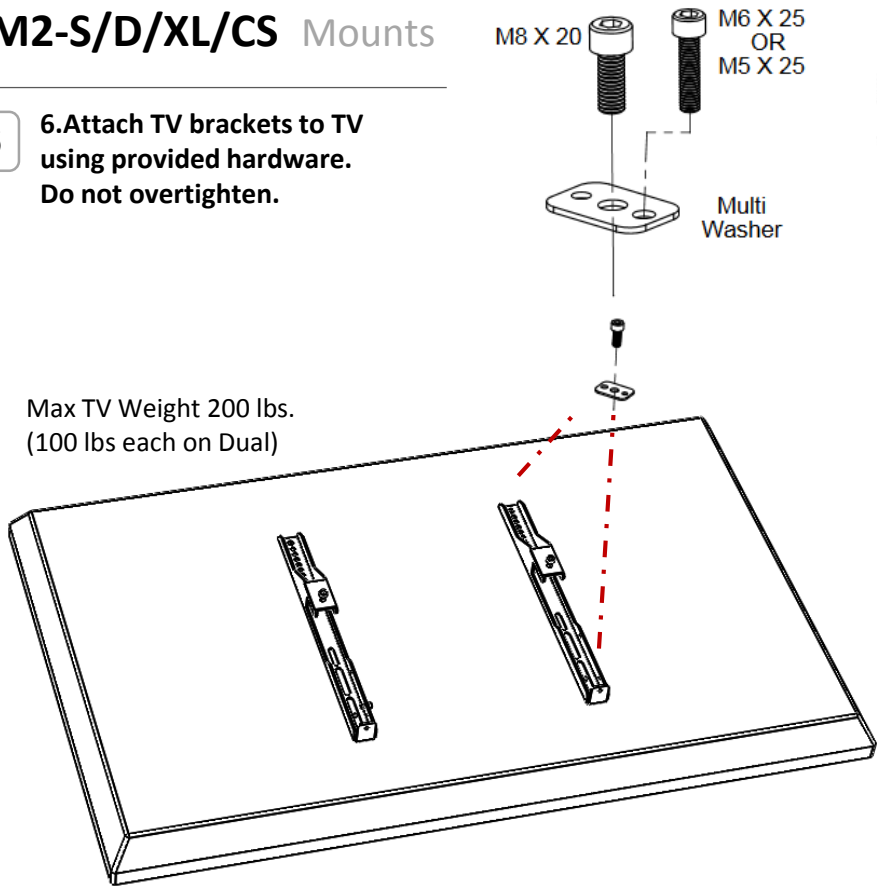
4. Insert and center mounting tube through the Main Pillar.
Tube Length will vary depending on mount used.
Slide in Tube locker over top and secure Using M8 Bolts and Allen key.

Assembly Instructions

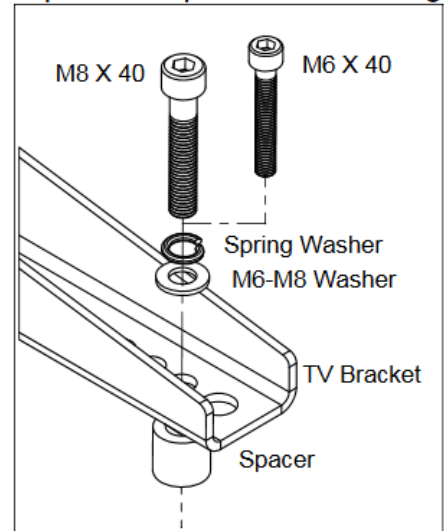
PM2-S/D/XL/CS Mounts

6 Attach TV brackets to TV using provided hardware. Do not overtighten.

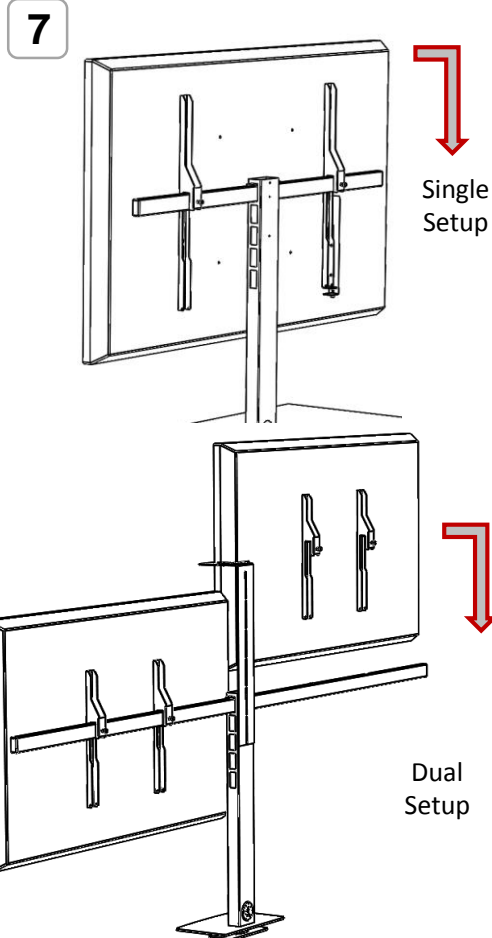
Max TV Weight 200 lbs.
(100 lbs each on Dual)



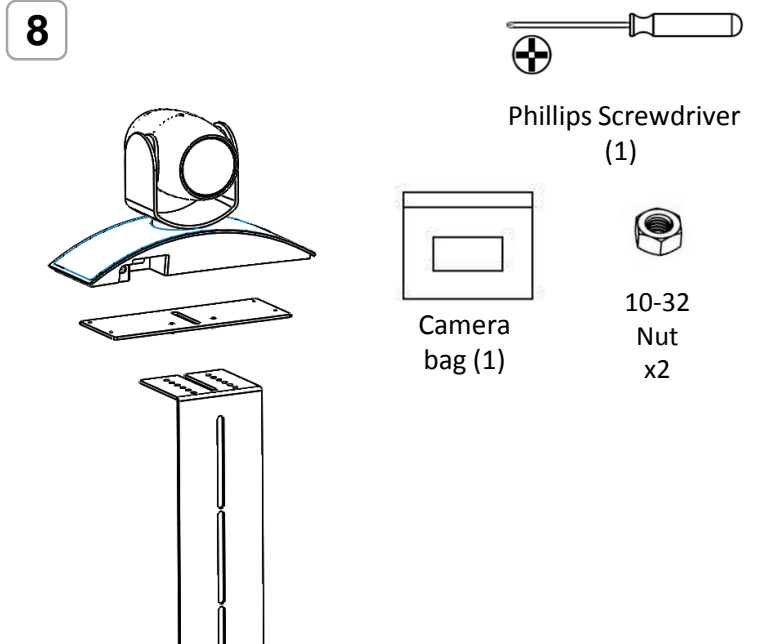
Optional Spacer mounting



Spacer is used when the back of TV is not flat or the mount holes are sunk into the back of the TV. (Rarely used)



7. With assistance, lift the TV/s into position and hook onto the mounting tube. Centre and secure to the bar with M8 bolts.

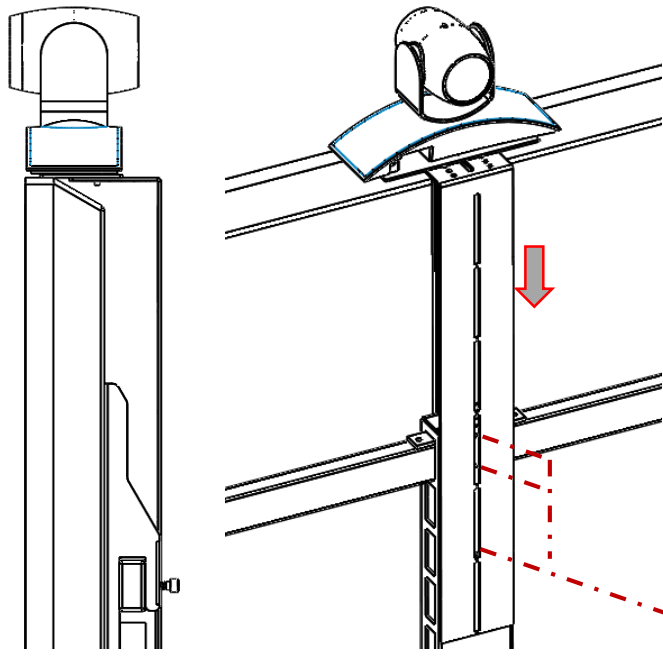


8. Attach camera to neck using supplied 1/4-20 bolt in camera hardware bag.

Optional Rectangular camera plate is for wide base cameras only. Camera plate is attached with 10-32 nuts provided.

PM2-S/D/XL/CS Mounts

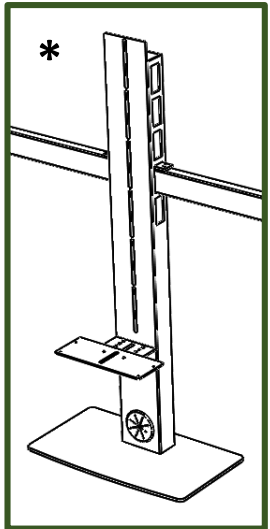
9



9. Adjust Camera neck to rest on top of TV bezel and attach using M6 bolts and Hex key.

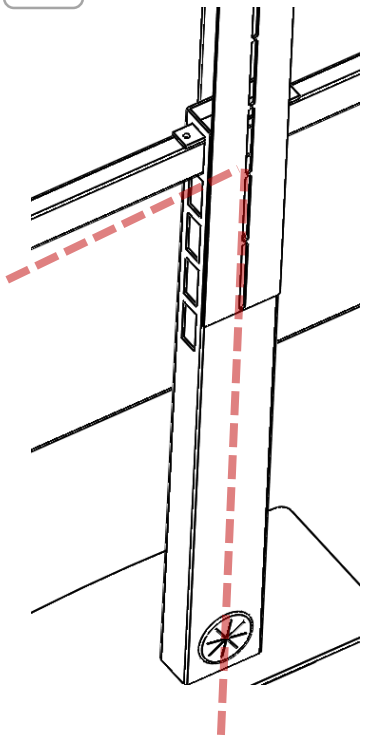


* For Camera below TV
The main spine section
Needs to be turned
around in step 2.
-place camera neck with
camera attached under
TV and mark height.
-Remove TV and attach
Camera neck at marked
height. Hang TV.



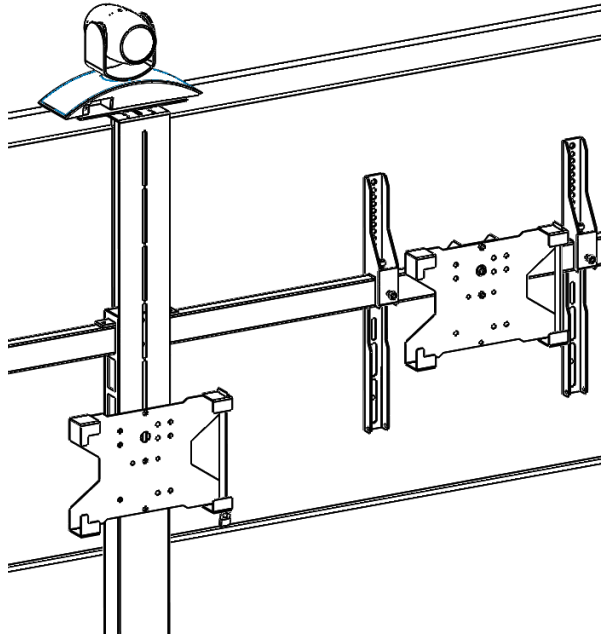
10

10. Run cables under tube and through main Pillar into furniture below or out rear grommet.



Assembly is complete, enjoy your mount.

Accessories



A variety of accessories are available to the PM2-Mount series.
Most will mount centered with the existing rear camera neck bolt.
Others will mount directly to tube or end of tube.