



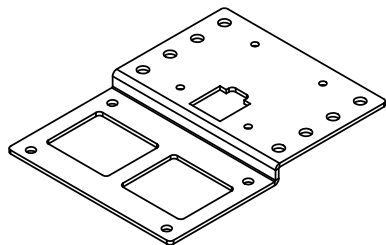
SBB

Assembly and Mounting Instructions

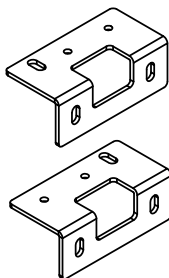
Thank you for purchasing AVFI's sound bar bracket.
This product was designed to add a sound bar mounting location to AVFI carts and stands either above or below the TV.
See our website for more details and compatible sound bars.
www.video-furn.com/SBB.htm

Note: Keep your original packaging until assembly is complete.
If you cannot understand these instructions or are concerned about safety of the installation. Contact a qualified contractor or contact AVFI at 1-877-834-3876.

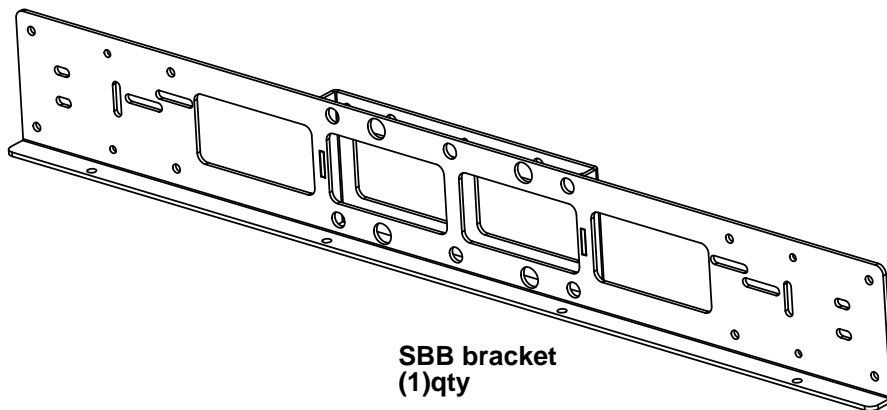
Supplied Parts:



Height bracket
(1)qty

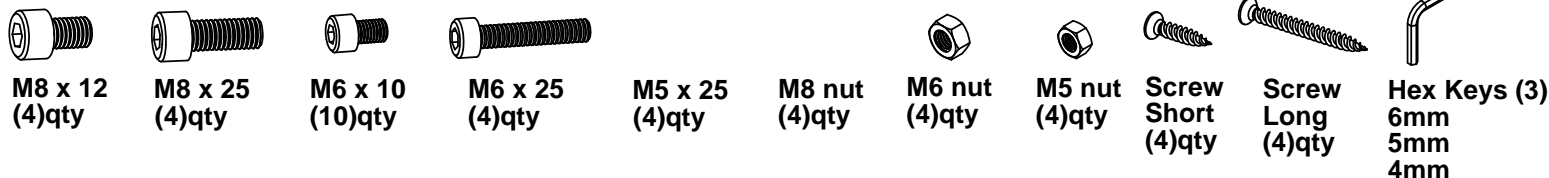


Side brackets
(1)left
(1)right

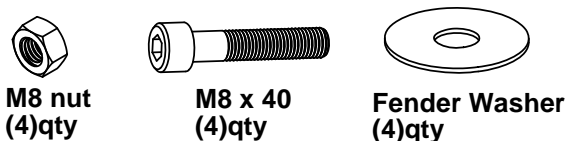


SBB bracket
(1)qty

Supplied Hardware: In hardware bag SBB

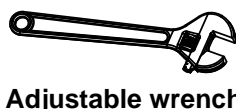


In hardware bag SBB-TP (required for TP1000 only)



Not all hardware supplied will be used depending on your setup
Read these instructions start to finish before beginning installation.

Tools required:



Adjustable wrench

TP1000 only



11/32 or 3/8 Drill bit + Drill

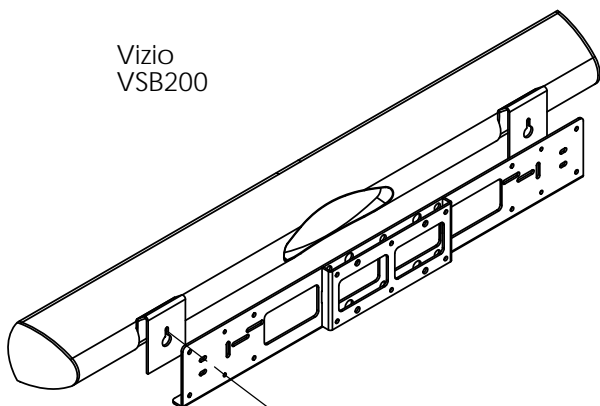
Test fit SBB bracket against your soundbar.

At least 2 holes need to line up.

The following soundbars were tested to work.
Vizio VSB200
Panasonic SC-HTB10
Sherwood SB-672 (speaker only, requires amp)

Drilling additional holes through SBB bracket may be required if your soundbar does not fit the holes provided.

Because this mount is compatible with so many VFI products and configurations.
Flip through to the correct page for your product.



Vizio VSB200

AUDIO VISUAL FURNITURE INTERNATIONAL

288 Don Hillock Drive, Aurora, Ontario L4G 0G9 www.video-furn.com
Toll Free: 1-877-834-3876 Fax: 905-751-1488 Local:905-751-1459

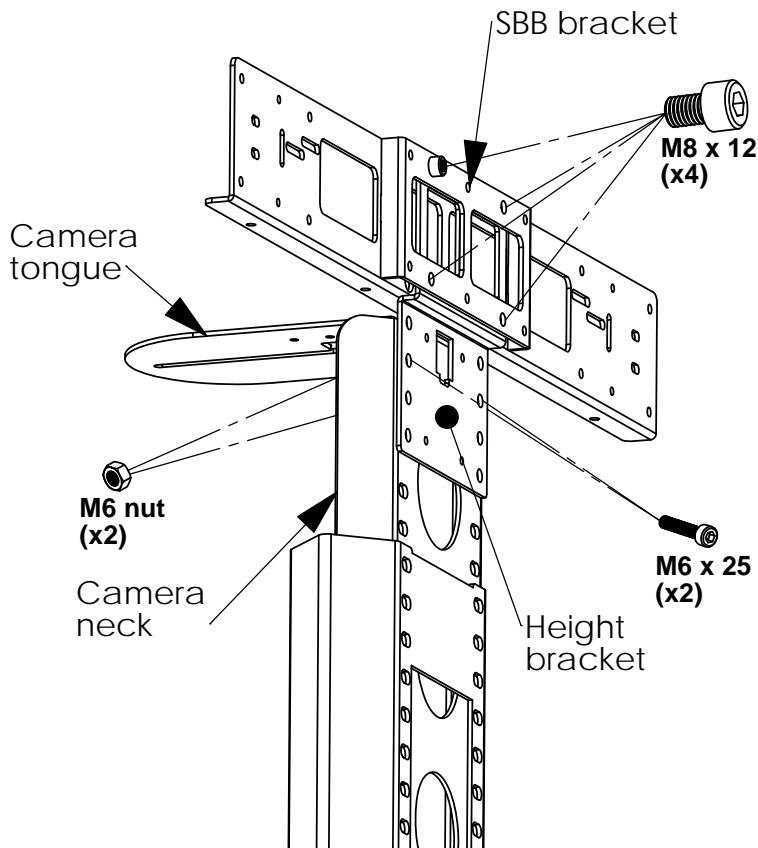
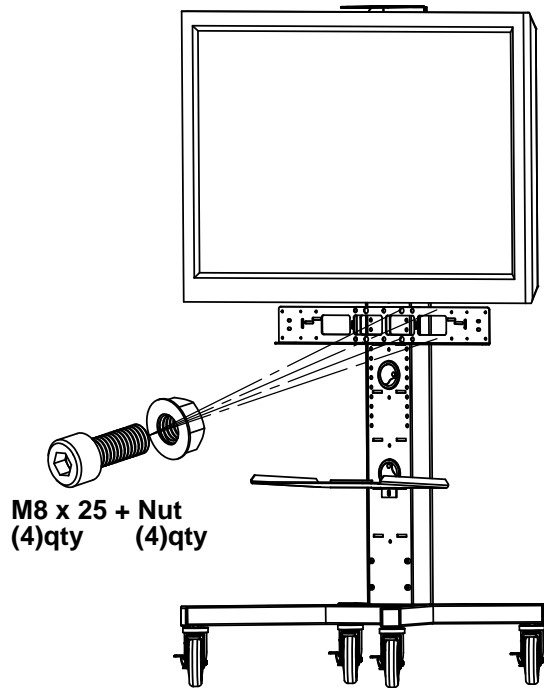
SBB mount can be configured above or below the TV.
The TV should already be in place on the stand.

Below TV

The SBB bracket bolts directly to spine.

A) Hand tighten with only the 2 top bolts and nuts from the back.

B) Check to make sure your soundbar will clear TV at current bracket location.
Adjust bracket if required and add remaining bolts.
Tighten with allen key and wrench.



Above TV

The SBB bolts to camera neck

A) Remove the camera tongue M8 bolts (2)

B) Attach Height bracket with M6 bolts and nuts going through camera neck and tongue

C) Attach SBB bracket with M8 bolts onto height bracket and tighten

D) Check to make sure your soundbar will clear the camera at current bracket location.
Adjust bracket if required and add remaining bolts.

Go to last page
(attaching Sound bar)

SBB mount can be configured above or below the TV.
The TV should already be in place on the stand.

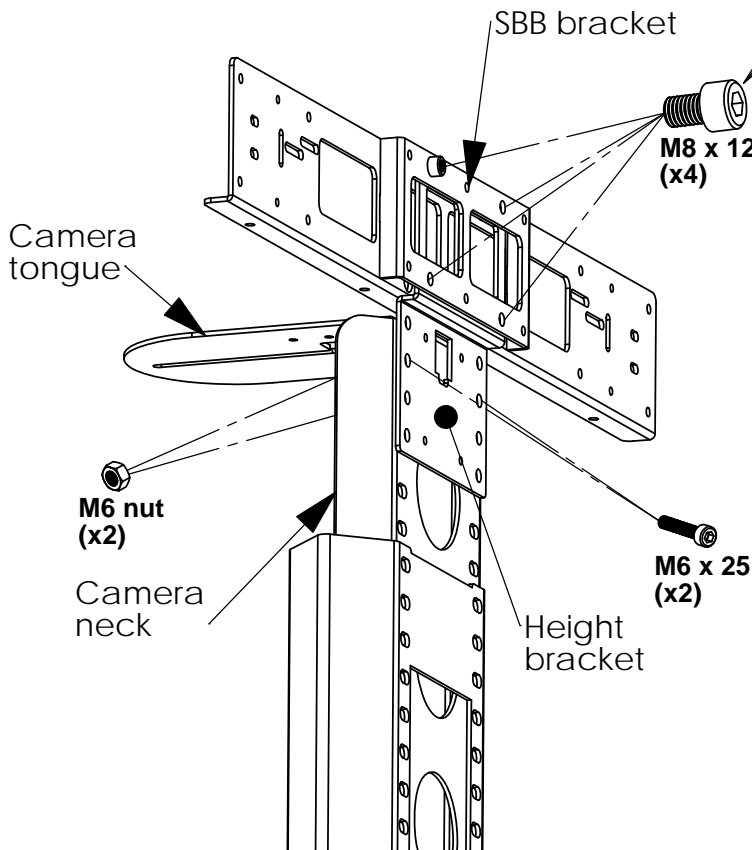
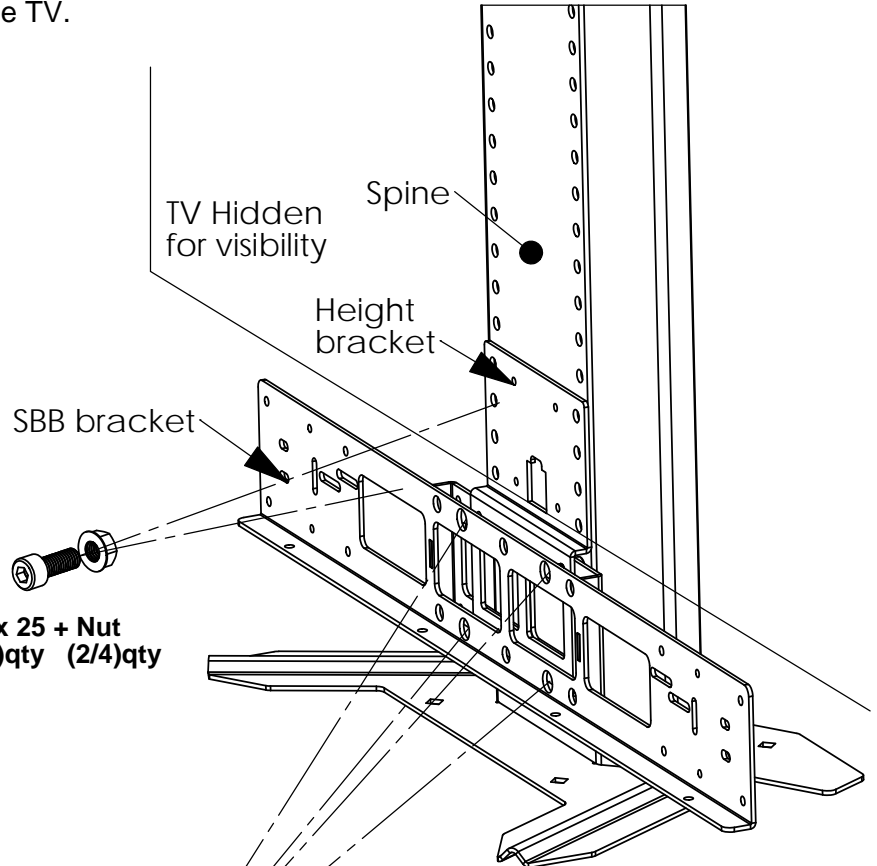
Below TV (PM-S-XL fits above TV only)

The SBB bolts to height bracket and to spine

A) Attach Height bracket with M6 bolts and nuts going through camera neck and tongue
2 or 4 bolts depending on holes available

B) Attach SBB bracket with M8 bolts onto height bracket and tighten

C) Check to make sure your soundbar will clear TV at current bracket location.
Adjust bracket if required and add remaining bolts.
Tighten with allen key and wrench.



Above TV

The SBB bolts to camera neck

A) Remove the camera tongue M8 bolts (2)

B) Attach Height bracket with M6 bolts and nuts going through camera neck and tongue

C) Attach SBB bracket with M8 bolts onto height bracket and tighten

D) Check to make sure your soundbar will clear the camera at current bracket location.
Adjust bracket if required and add remaining bolts.

Go to last page
(attaching Sound bar)

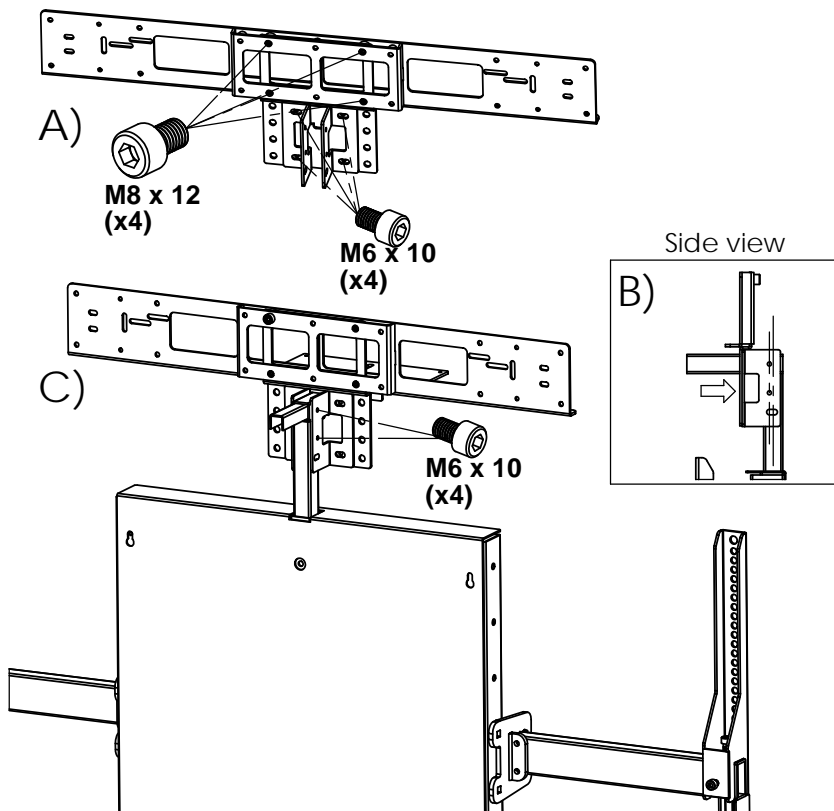
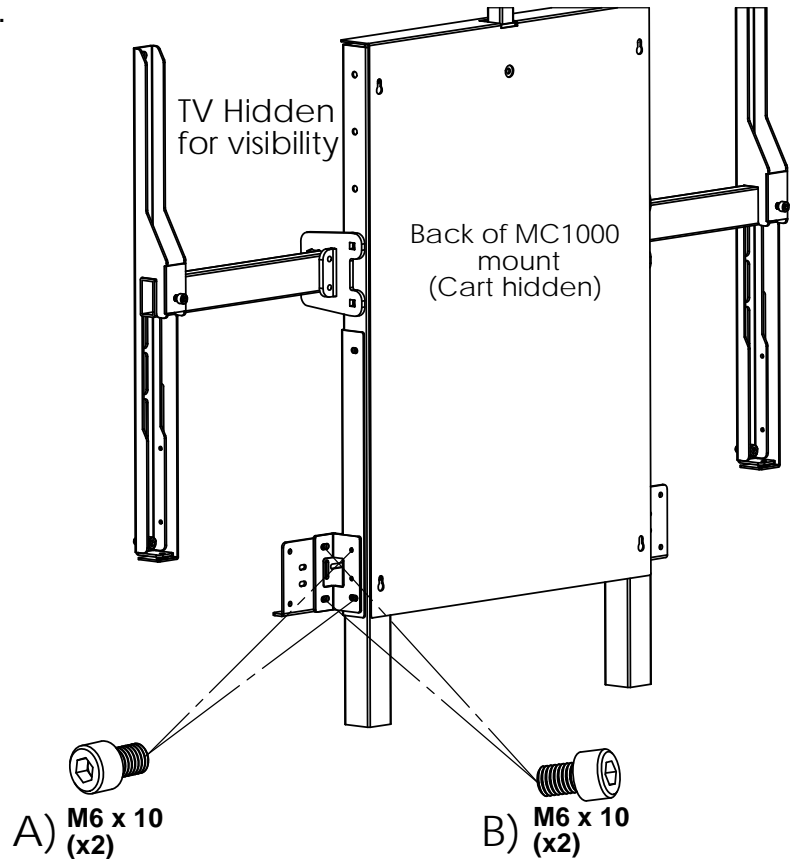
SBB mount can be configured above or below the TV.
The TV should already be in place on the stand.

Below TV

The SBB bolts to sides

A) Remove bottom M6 bolts for front cover
Attach Side brackets as shown.

B) Attach SBB bracket with M6 bolts onto
side brackets and tighten.



Above TV

The SBB bolts to camera neck

Remove the camera and sliding arm
(step not shown)

A) Assemble SBB as shown using all 4 parts
note: do not tighten hardware.

B) Slide the assembly onto the camera neck
as shown aligning the holes with the post.

C) Tighten the assembly from step A) and
attach to post using M6 bolts from sides.
then reinstall camera arm and camera.

Go to last page
(attaching Sound bar)

SBB mount can be configured below the TV.
The TV should already be in place on the stand.

Below TV

The Tp1000 **requires drilling** of holes to bolt to SBB bracket in front.

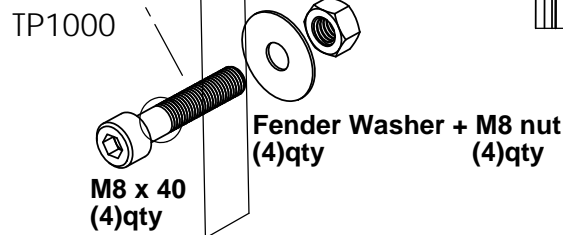
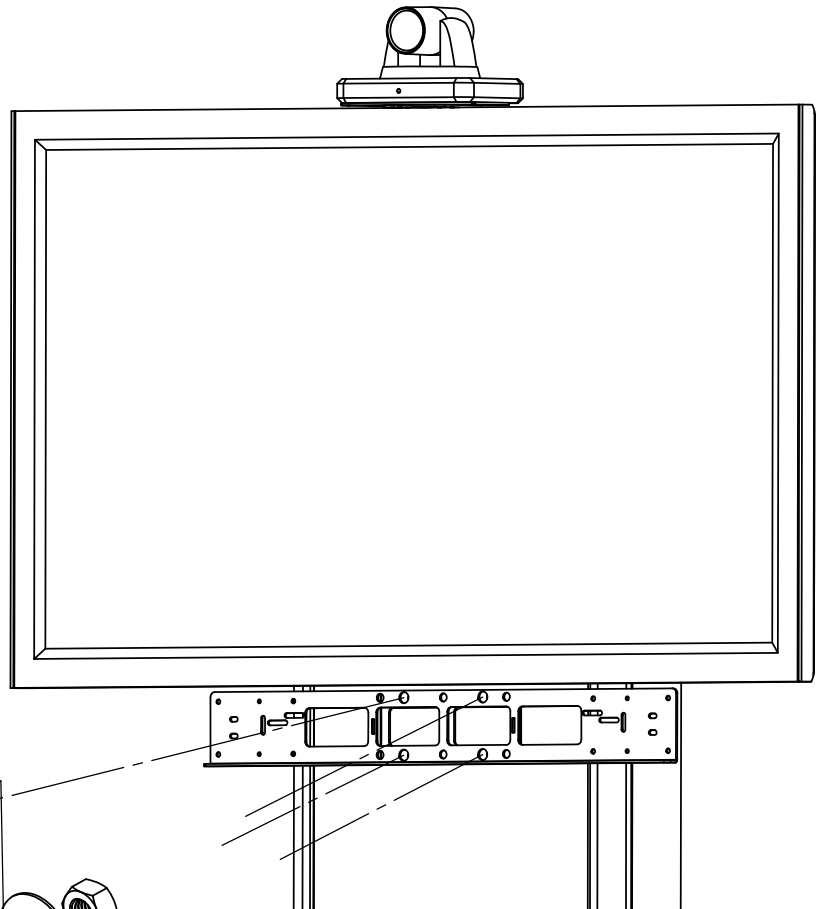
A) Attach your soundbar to SBB bracket and mark location under TV with a line.
(see bottom of page for attaching soundbar to SBB)

B) Detach soundbar and fit bracket to marked location and center. Mark hole locations (4x)

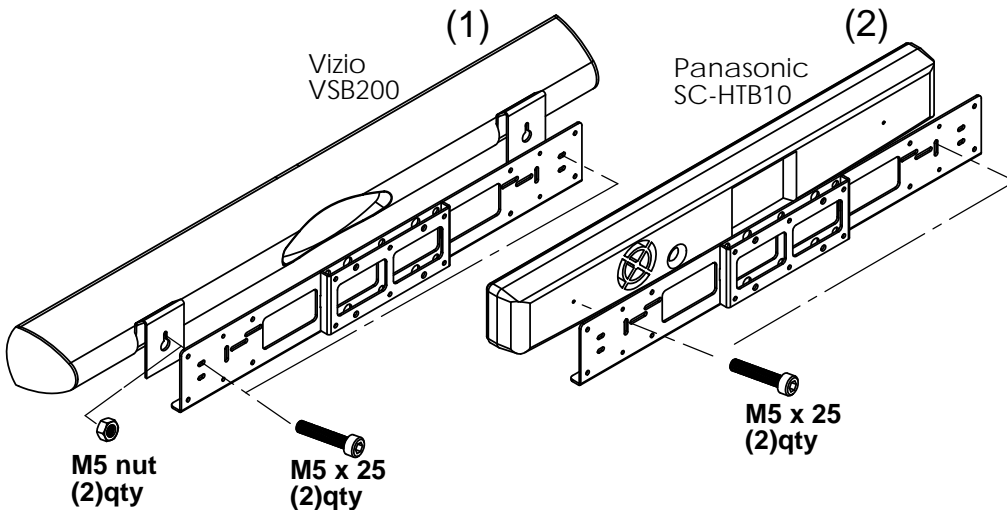
C) Make sure nothing is behind drill location. Remove any electronics in area.
Drill with 1 1/32 or 3/8 drill straight through to other side.

D) Attach SBB bracket using M8x40 bolts, nuts and fenders washers from the back side.
Tighten with Allen key and wrench.

Note: Wiring for the soundbars should be run upwards towards grommets



Attaching Soundbar to SBB bracket



With SBB bracket already in place.

Check which threads fit the back of your soundbar and if it included hardware.
In most cases your soundbar will fit using the shorter M5 bolt directly into the back of the soundbar (2) or an M5 bolt and nut to hook the wall bracket included with your soundbar.(1)

If your sound bar does not have a screw location and is made of wood or MDF you can use the included wood screws to screw directly into the soundbars body.

End