

The **SYZ90** is a heavy duty, electrical height adjustable & mobile stand for a wide range of video conferencing and interactive applications. This stand has a maximum lifting weight capability of 290 lbs.

Its unique design is ideal for environments where adjustable height or ADA is required, creating accessibility to technology in classrooms and corporate environments. It features rear lockable compartment for storage or 3U racking space with cable channel and ventilation.

SYZ90-S



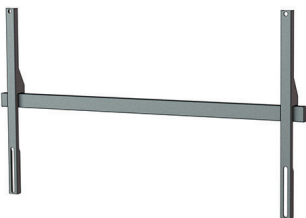
SYZ90-XL



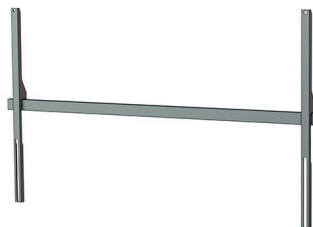
SYZ90-D



SYZ90-CS55



SYZ90-CS70



## Standard Features

- Single, XL, Dual displays and Cisco Spark Boards 55 & 70 mount choices
- Dual lifting electrical actuators with anti-collision setup
- 23.5" stroke travel with memory control switch for easy incremental adjustments; optional remote control available
- 4" Heavy duty swivel casters with ball bearings, non-marking wheels, 2 are locking
- Rear lockable compartment with 3U vertical rack inside
- Scratch resistant powder coat finish
- Grey metal body
- Fits through standard doorways
- Ships fully assembled

## Mount Choices

- **Single:** 1x 40"-70" display
- **XL:** 1x 65"-90+" display
- **Dual:** 2x 42"-70" displays
- **CS55:** 1x Cisco Spark Board 55
- **CS70:** 1x Cisco Spark Board 70

## Specifications

**Model:** SYZ90-S/ XL/ D/ CS55/ CS70

**Width:** S-43"/ XL-58.25"/ D-58.25"

**Depth:** 30"

**Height:** 51.15"-74.75"

**Center Line Display:** 39"-62.5"

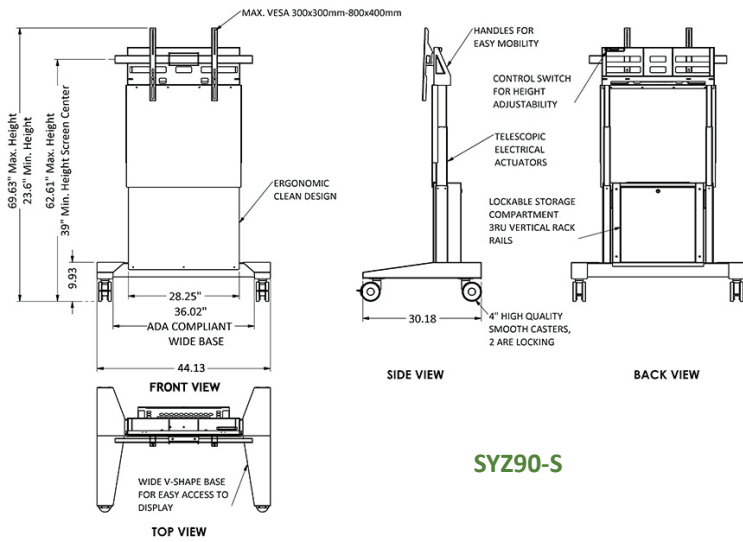
**Weight Capacity:** 290 lbs display total

**Color:** Grey metal body

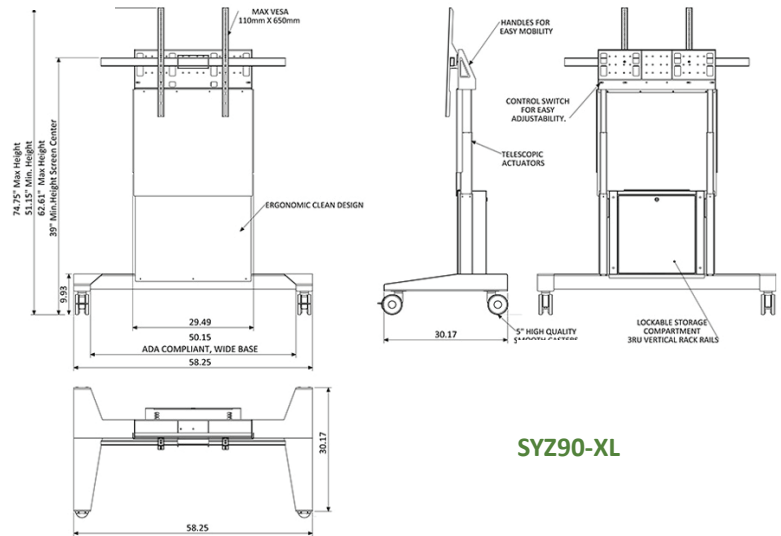
## Options

- **TVCB/TVCB-XL** Camera bracket. For video conference applications allowing camera to ride up & down with the screen
- **BKT-ROOM** Cisco Room & Room Plus camera bracket (using TVCB)
- **CBB-TV** Under TV camera bracket (26" - 80" TV's)
- **PB** Six outlet power bar with 10 ft. cord
- **RCL11** Remote control

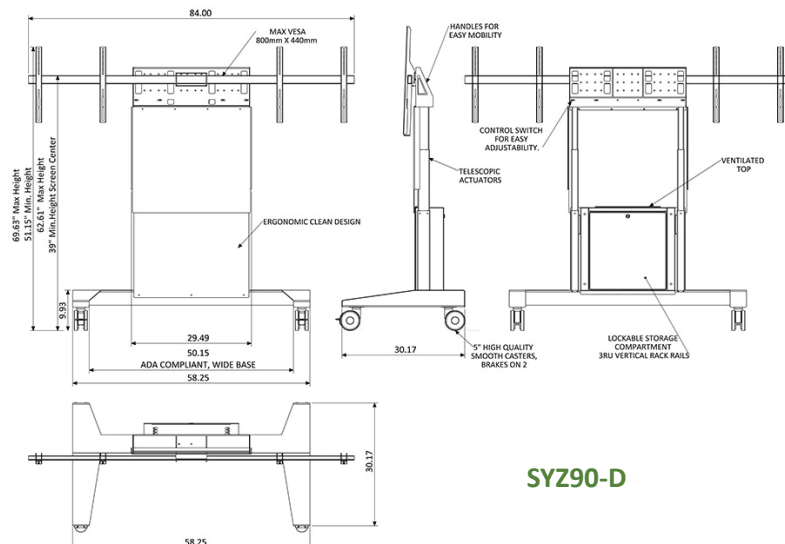
**SYZ90 Dimensional Drawings**



**SYZ90-S**



**SYZ90-XL**



**SYZ90-D**

The information contained in this drawing is the sole property of Audio Visual Furniture International. Any reproduction in part or as a whole without the written permission of Audio Visual Furniture International is prohibited. We can build or modify stock configurations to suit customer specifications. Please contact us to discuss how this service can help meet your needs. Some quantity restrictions may apply. Specification subject to change without notice. Computers, cameras, monitors, etc. are shown to illustrate product usage and are not included unless otherwise noted.