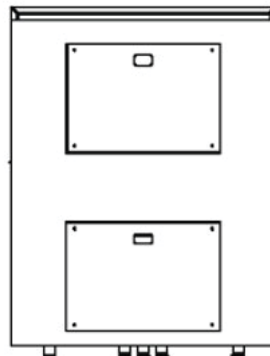
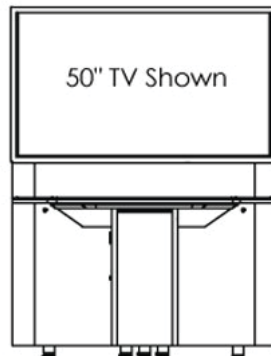
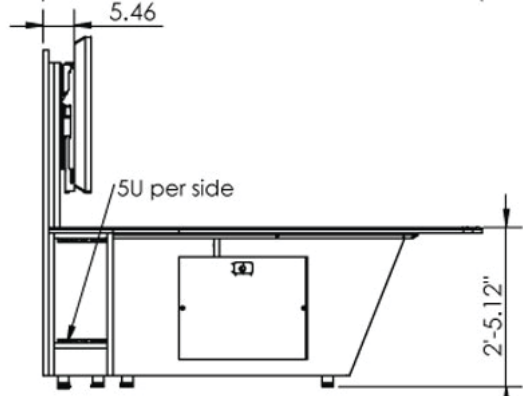
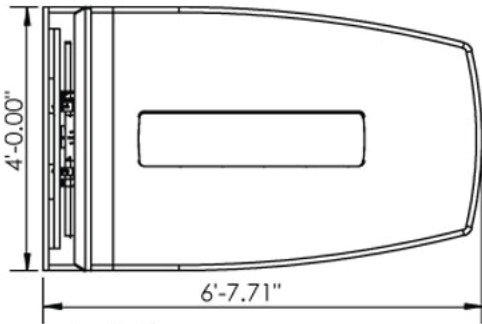




526FR + 526RW  
(Choice of single, dual or XL TV mount)



The **T526 Classic** table package consists of sections 526FR + 526RW (Choice of single, dual or XL display). Package features island for accommodating your electronics, power grommets/cubby's custom cutouts. Island can be replaced as your technology changes. Table is designed to pass all wiring through the back and base to avoid core drilling. TV mount accommodates a variety of display configurations and 5U of electronics or a PC per side.

### Standard Features

#### T526 Table

- Seats 6 people. Can be expanded with extensions.
- Large base with access panels for cable routing and device storage/mounting
- Island for accommodating electronics/grommets
- 526RW section includes sideways racks, 5U each with easy access
- Highly resistant thermowrap surface in many finishes
- Choice of S-Single), D-Dual or XL-Single XL TV mount
- Video conference camera bracket with height adjust

### Options

- **PLM1022** 10" - 22" LCD monitor mount
- **CBB-TV** Under TV camera bracket (26" - 80" TV's)
- **PB** Six outlet power bar with 10 ft. cord
- **SF-PB3** Surface mounted 3-outlet 120V power bar
- **CUB3** Round cable well
- **CUB4** Power panel
- **CUB5** Round cable well
- **CUB8** Table top cable well
- **MIC-18** MX418 S/C Shure Gooseneck microphone
- **CHGQIW/B** Wireless charging station white or black
- **CHGQI-DNGL** Dongle Lightning, USB Type-C, Micro-USB. Requires CHGQIW/B
- **CUSTOM CUTOUT** Cutouts for electronics or other items specified by the customer

### Specifications

**Model:** T526 Classic  
**Width:** 48"  
**Depth:** 6'-7.7"  
**Height:** 29.13"

### Finishes



The information contained in this drawing is the sole property of Audio Visual Furniture International. Any reproduction in part or as a whole without the written permission of Audio Visual Furniture International is prohibited. AVFI can build or modify stock configurations to suit customer specifications. Please contact us to discuss how this service can help meet your needs. Some quantity restrictions may apply. Specification subject to change without notice. Computers, cameras, monitors, etc. are shown to illustrate product usage and are not included unless otherwise noted.