



# TP1000 (S, D, XL)

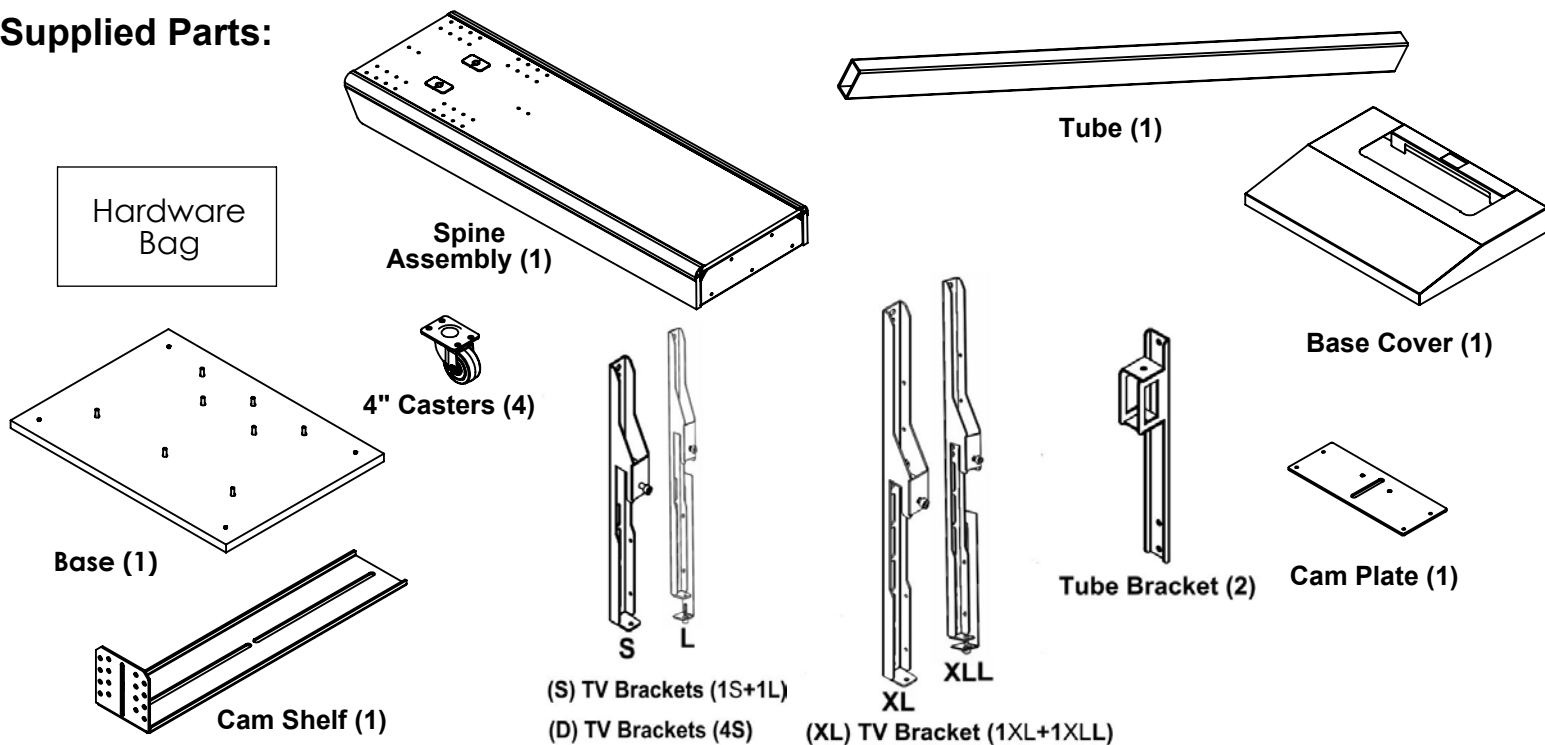
## Assembly and Setup Instructions

Thank you for purchasing AVFI's TP1000 mobile telepresence stand. This product was designed for video conferencing applications and is compatible with most 40"- 70" (S), 40"- 70" (D), 65"- 90" (XL) TV's.

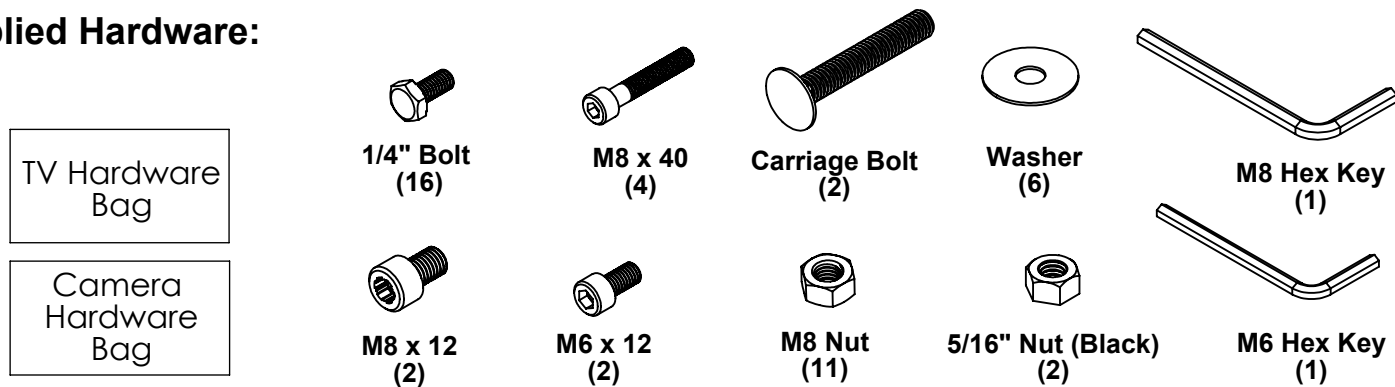
**Note:** If you cannot understand these instructions or are concerned about safety of the installation Contact a qualified contractor or contact AVFI at 1-877-834-3876.

Confirm all hardware is included before you begin assembly.  
Not all hardware supplied will be used depending on the manufacturer of your display/s.

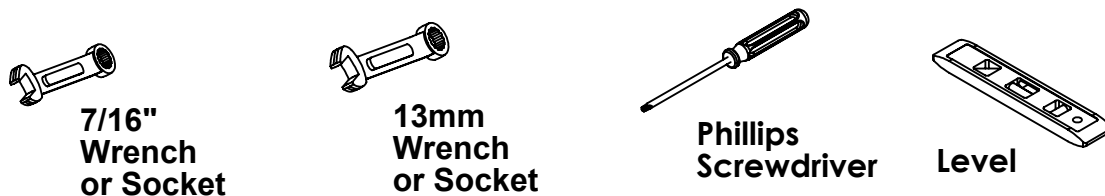
### Supplied Parts:



### Supplied Hardware:



### Tools required: (Not Included)



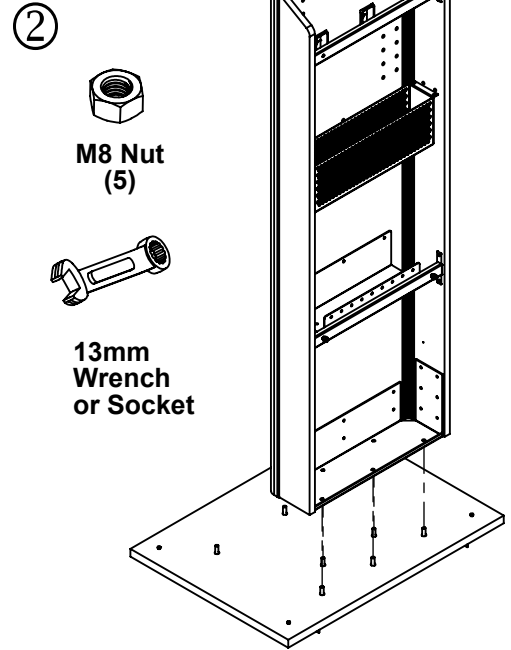
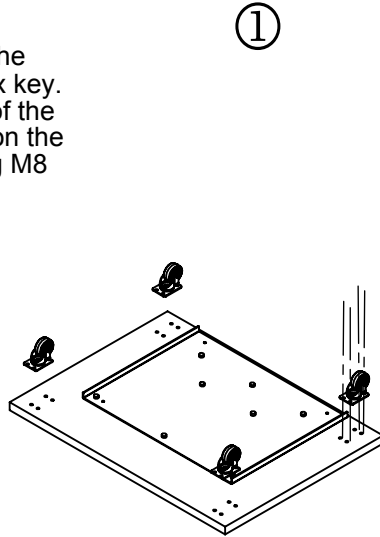
### AUDIO VISUAL FURNITURE INTERNATIONAL

288 Don Hillock Drive Aurora, Ontario L4G 0G9 www.video-furn.com  
Toll Free: 1-877-834-3876 Fax: 1-905-751-1488 Local: 905-751-1459

## Step 1

1) Attach casters to the bottom of the base using 1/4" bolts and a 7/16 wrench or socket.

2) Remove the back cover of the spine assembly with an M6 hex key. Align the holes on the bottom of the spine assembly with the bolts on the base and secure in place using M8 nuts.



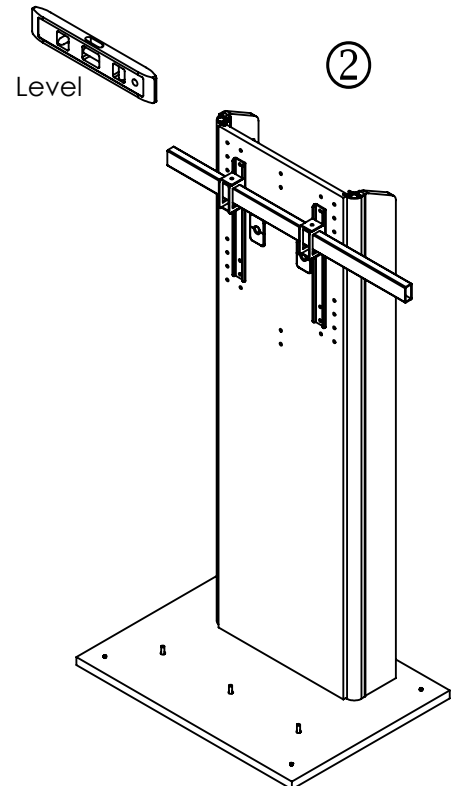
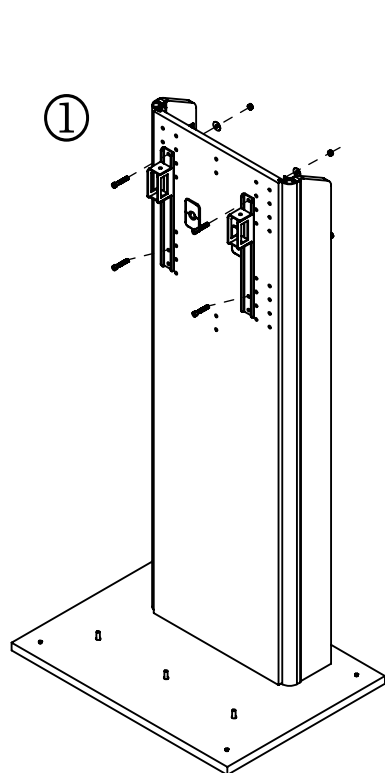
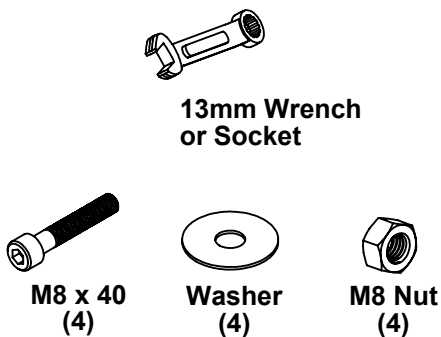
## Mounting Tube Brackets

## Step 2

1) Place the tube brackets at a desired height and secure in place using M8 bolts, Washers and M8 nuts. Use inside hole locations if your TV's hole pattern interferes with the outside tube bracket locations.

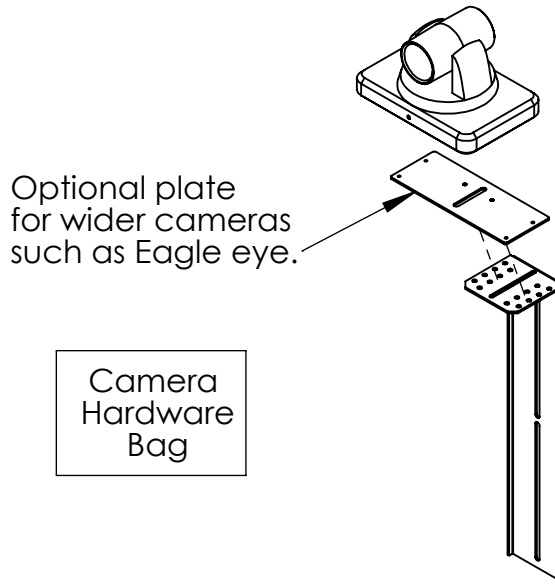
Note: These brackets can be flipped upside down for a lower monitor position.

2) Slide the tube through the tube brackets until centred. Secure in place using attached tightening bolts while ensuring that it is level.



### Step 3

Attach camera to cam shelf using the contents of the camera hardware bag. First attach the cam plate if your camera requires it.

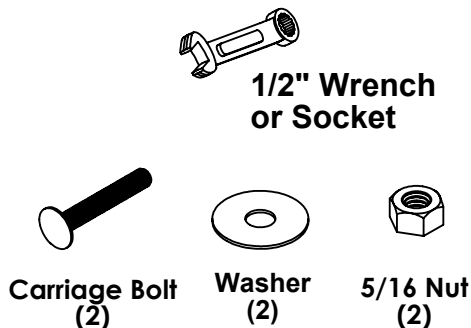
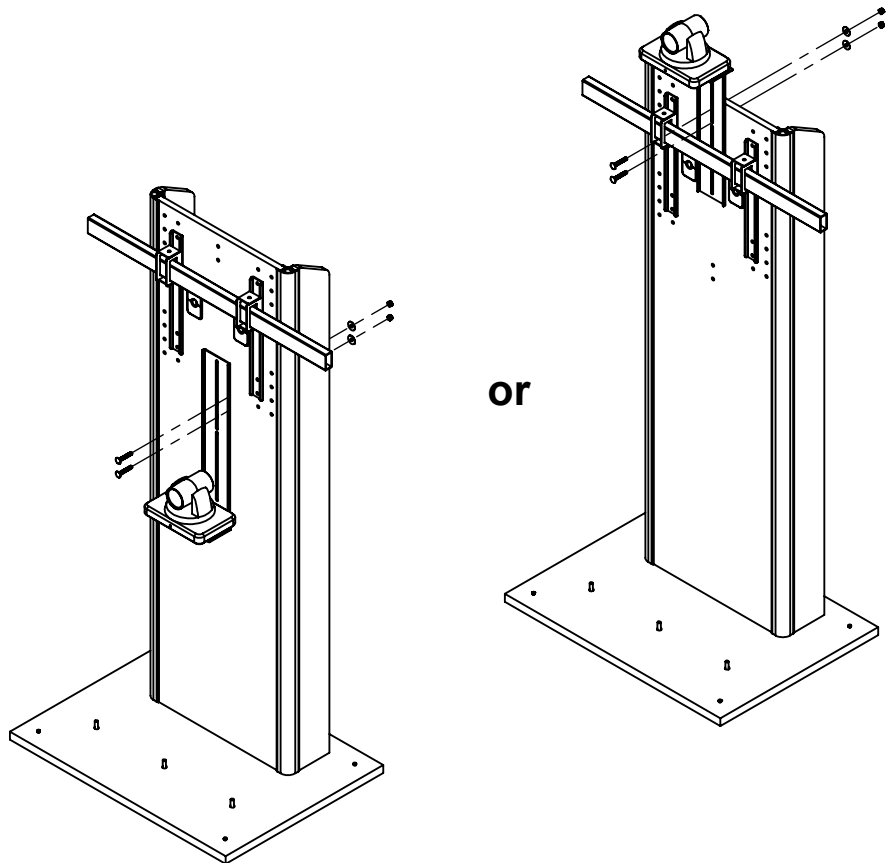


### Mounting Camera

### Step 4

The cam shelf can be installed either above or underneath the TV. Align with the two mounting holes on the centre of the stand and secure at desired height using carriage bolts, washers and 5/16 nuts. Connect all cables between camera and codec by running them through the grommets.

(If mounted above, make sure it is installed at its highest position to leave room for the TV. It can be lowered once the TV is installed.)



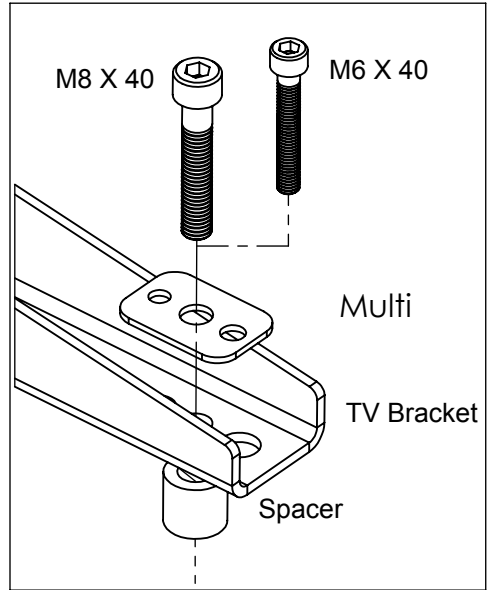
## Step 5

1. Place TV face down on blanket or non abrasive surface such as cardboard.
2. Check to see if your TV came with mounting hardware or not.  
If not, we have supplied the most common hardware.  
Most displays under 42" will use the M6 bolt. Most 42"+ will use the M8 bolts.  
See which bolt length you need by hand tightening only.
3. Place TV brackets so you can see the TV mounting holes through the bracket and insert bolt through a multi washer.
4. Hand tighten until there is resistance, then give a half turn with hex key.  
**DO NOT OVERTIGHTEN AS THIS CAN DAMAGE OR PUNCTURE THE TV**

### Notes.

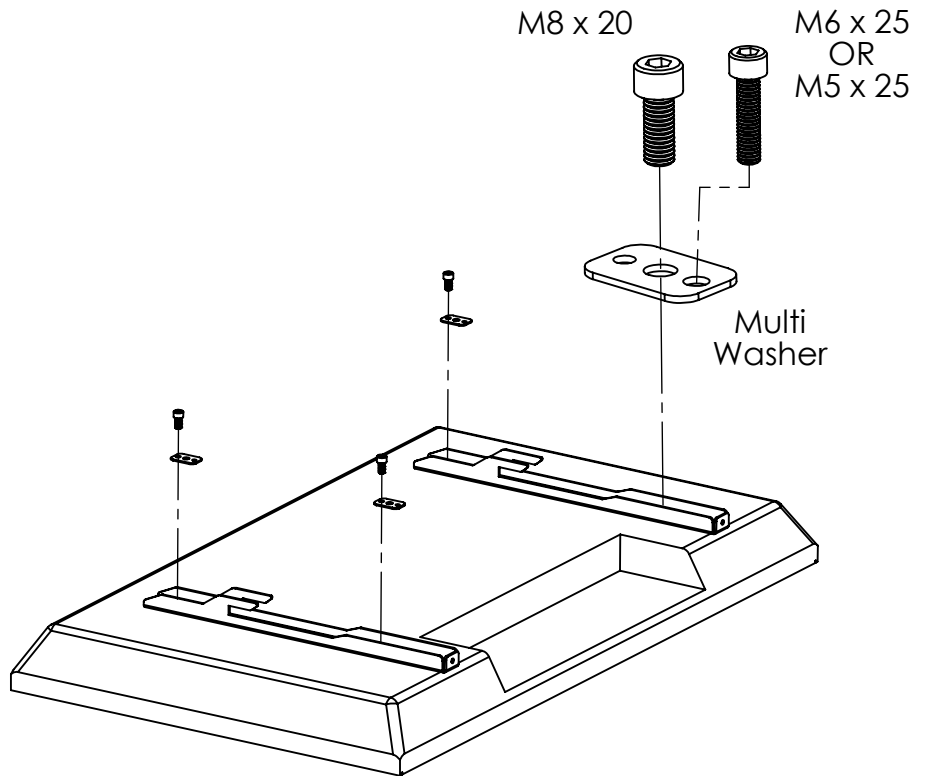
- Have 2 people lift the TV as it can be very heavy and awkward.
- Some TV's require non standard hardware. This bracket was made to accomodate up to M10 bolts which can be found at your local hardware store along with longer versions of the included hardware.

### Optional Spacer mounting



Spacer is used when the back of TV is not flat or the mount holes are sunk into the back of the TV. (Rarely used)

TV  
Hardware Bag



### AUDIO VISUAL FURNITURE INTERNATIONAL

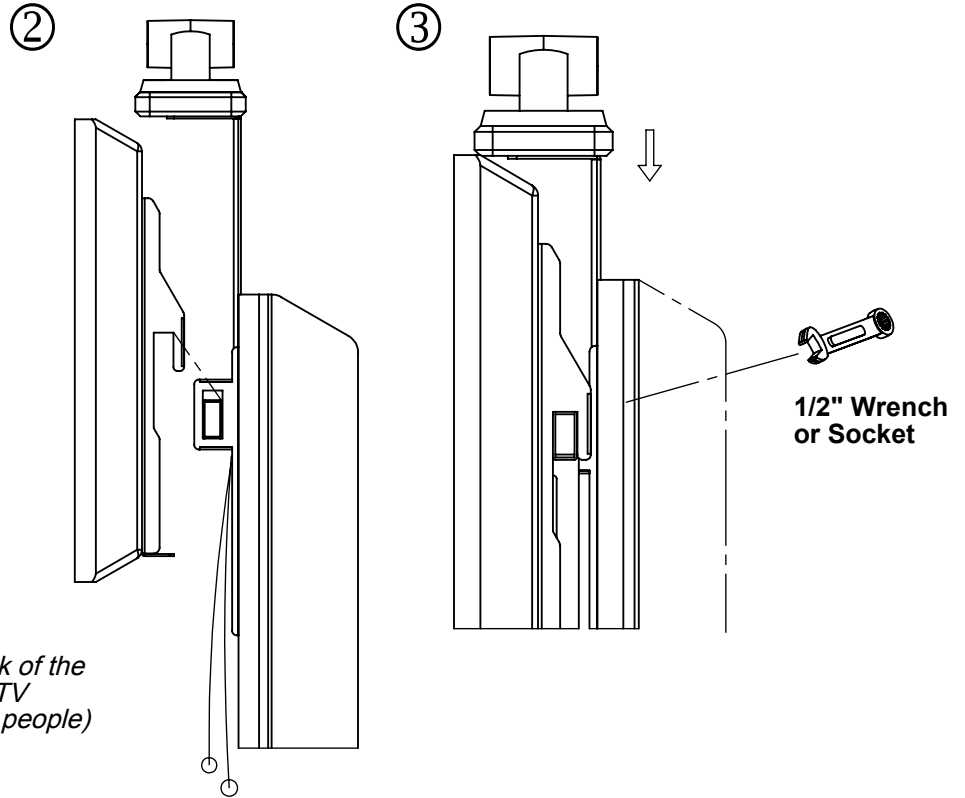
288 Don Hillock Drive Aurora, Ontario L4G 0G9 www.video-furn.com  
Toll Free: 1-877-834-3876 Fax: 1-905-751-1488 Local: 905-751-1459

### Step 6

1) Run all cables from the codec through the front grommets.

2) Slide TV with attached brackets onto the installed TV bar.

3) If the camera needs to be lowered, loosen the camera bracket nuts with a 1/2" wrench while holding the camera with your other hand to prevent it from falling. You can then slide the camera and re-tighten the nuts when its in the correct position.

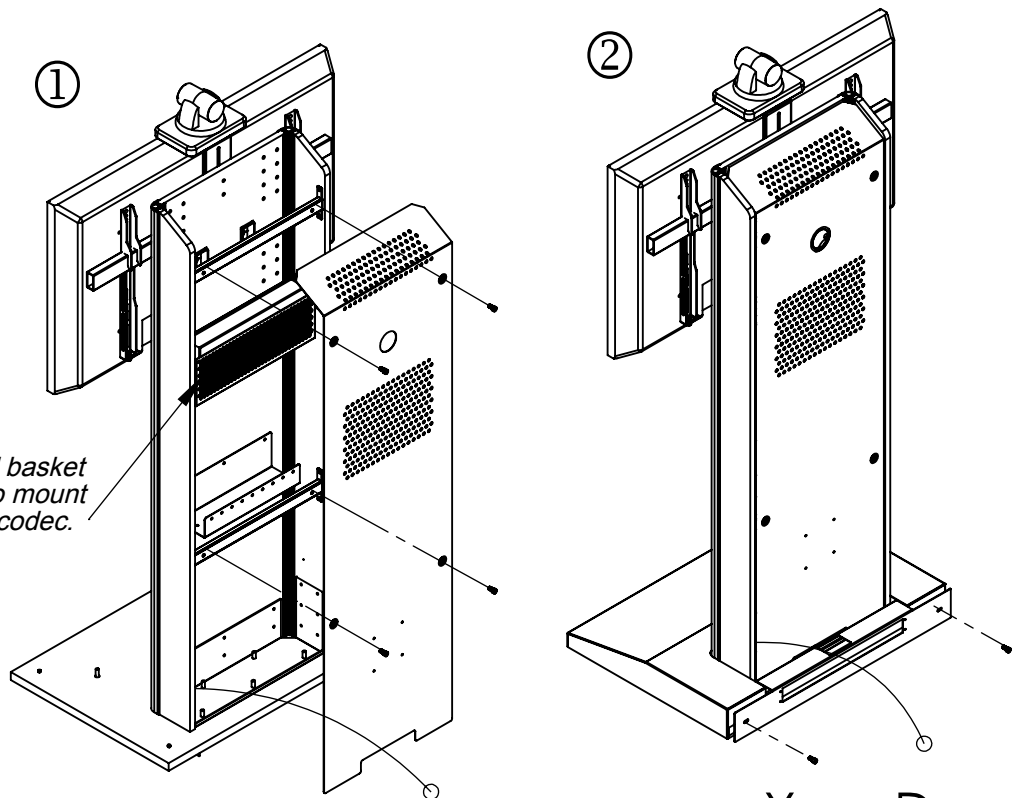


### Installing Covers

### Step 7

1) Make sure all electronics are connected and run the power bar cable out the bottom of the stand. Re-install the back cover.

2) Install the base cover by first placing the front section against the front of the stand. Attach the back section using M6 bolts.



Your Done!

**AUDIO VISUAL FURNITURE INTERNATIONAL**