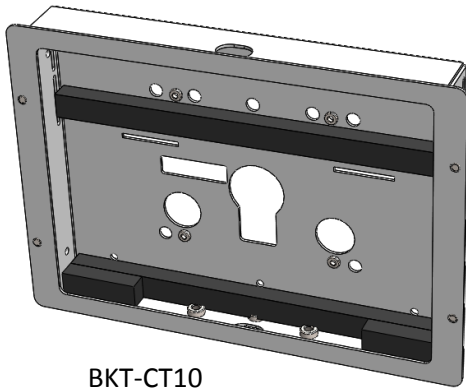


## BKT-CT10 Enclosure

Thank you for purchasing AVFI's BKT-CT10 enclosure.  
This product is designed to have many mounting configurations.  
Confirm all hardware is included before you begin assembly.  
Read these instructions start to finish before beginning installation.

**Note:** If you cannot understand these instructions or are concerned about safety of the installation contact a qualified contractor or contact AVFI at 1-877-834-3876.

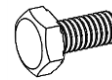
### Supplied Parts



### Supplied Hardware (Installed on bracket)

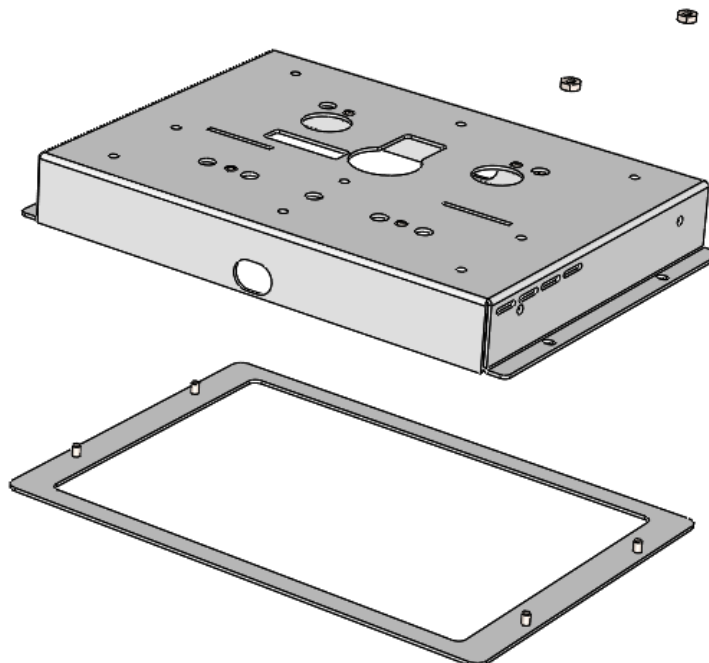


8-32 Nut  
(4)



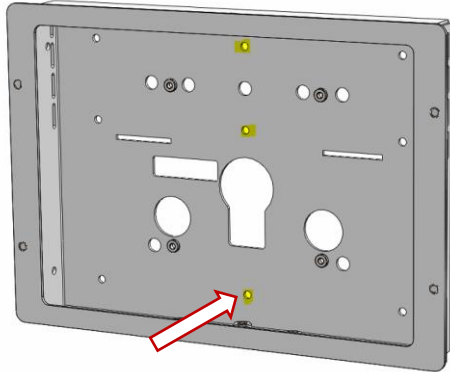
1/4-20" Bolt  
(1)

- 1** Remove face panel by removing nuts behind it. 8-32 nuts x4

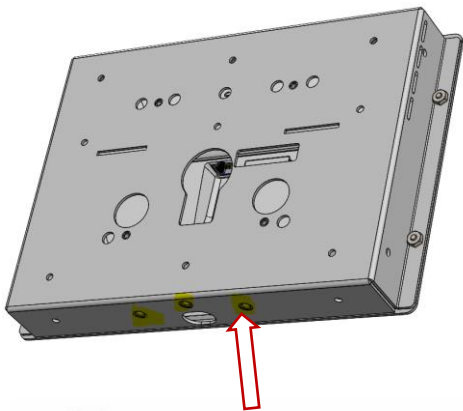


**BKT-CT10** Enclosure

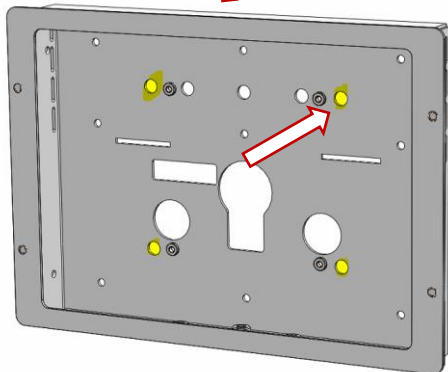
**2** Choose from many mounting methods. ( Hardware not included) Foam not shown for visibility.



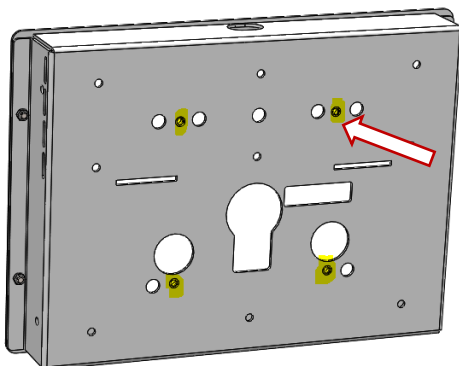
**Wall mount to stud.**  
Attach to wall using appropriate hardware



**Tripod mount. 1/4-20 Bolt**  
Attach to tripod ,tabletop or Shelf



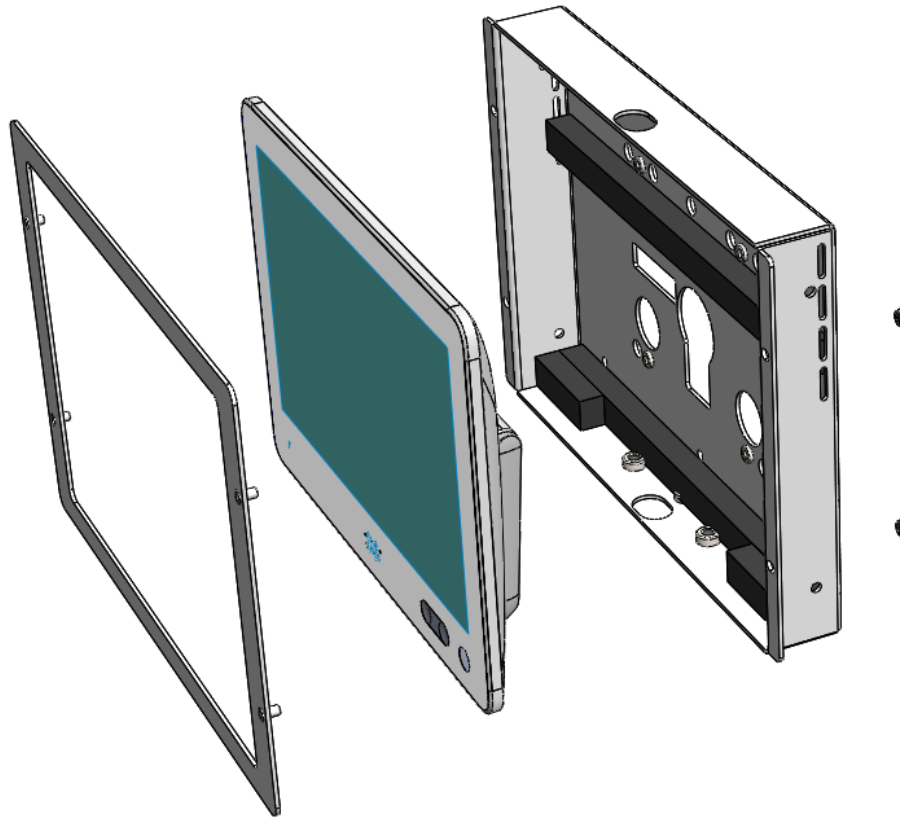
**Cart/Stand mount.**  
8mm Machine screws w nuts.  
Attach to front of Rolling stand.



**VESA mount. 100x100mm**  
M4 x12mm Monitor screws  
Attach to Vesa monitor bracket or mount.

## BKT-CT10 Enclosure

- 3** Once box is mounted , Run cables.  
Insert Cisco touch 10.  
reinstall 8-32 nuts x4.



**Finished unit.**

