

CR3-WM Credenza

Thank you for purchasing Wall mounted Credenza CR3-WM

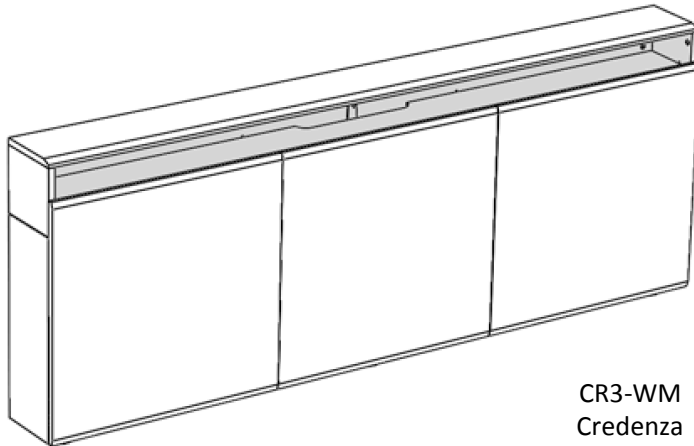
This Credenza allows for mounting up to 9U (3x 3U) of rack equipment and a sound bar up against a wall.

If you cannot understand these instructions or are concerned about safety of the installation
Contact a qualified contractor or contact AVFI at 1-877-834-3876.

Read through entire instructions before beginning assembly.
This assembly will require a minimum of 2 people.



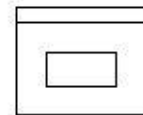
Supplied Parts



CR3-WM
Credenza



Legs
(x3)



Hardware Bag
(x1)

Supplied Hardware Bag



Washer
(x4)



Toggle
Anchor
(x4)



LAG
Shield
(x4)

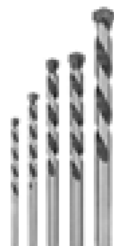


HEX
Bolt
(x4)



LAG Bolt
(x4)

Tools required



Drill bit set



Drill



Socket set

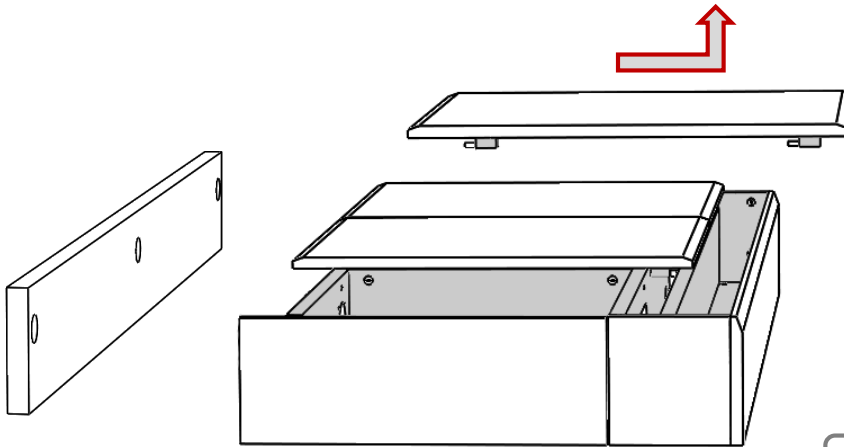


Stud Finder
If Drywall

1

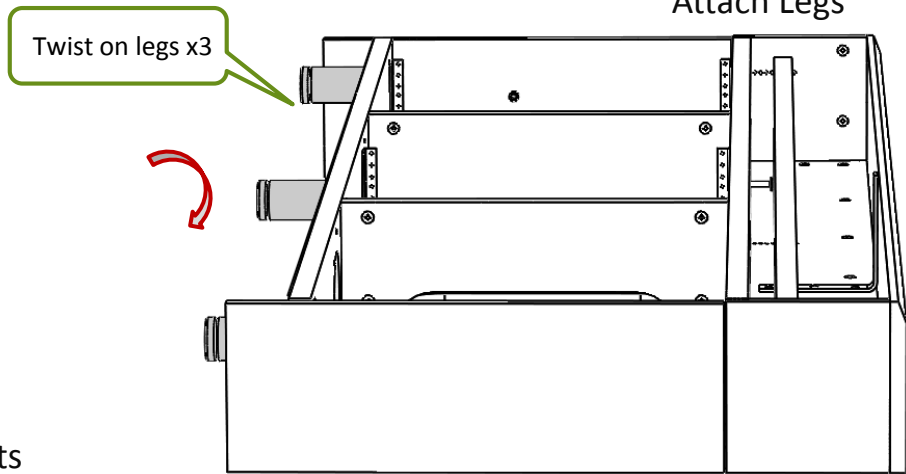
Unpack and
Lift off front
panels.

Discard
shipping
brace.



2

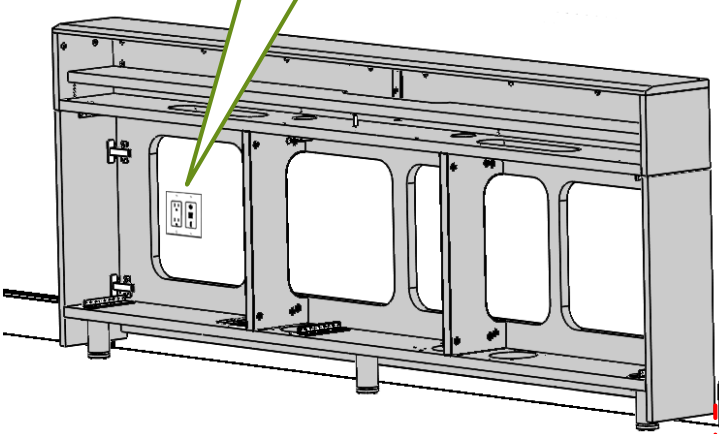
Attach Legs



3

Locate mounting points
And prepare Wall

Place over an outlet
If possible.



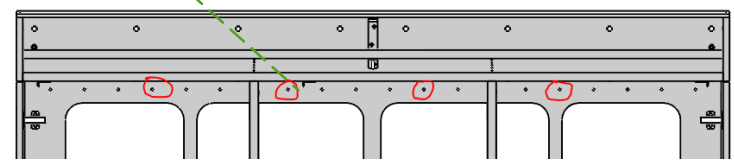
Drywall/Stud wall

Locate studs using stud finder and mark
Approx. 23" above floor height. Follow
Masonry step below to line up studs.



Masonry wall

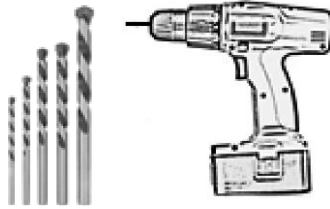
Place CR3-WM against wall at desired location
And mark 4 hole locations through holes at
Back of unit.



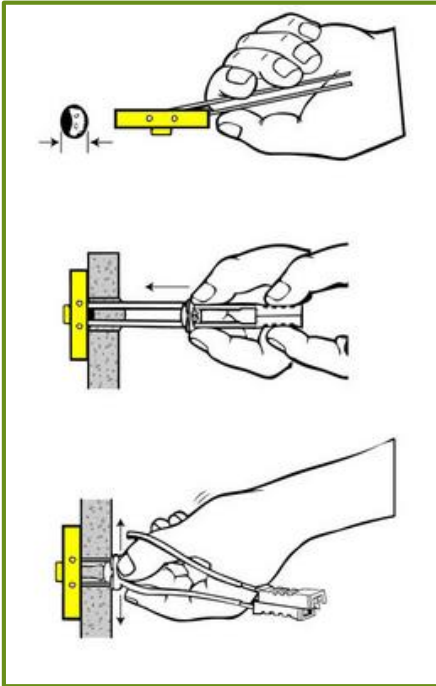
Baseboard trim
May need to cut away.
Leave Clearance for door.

4

Drill holes



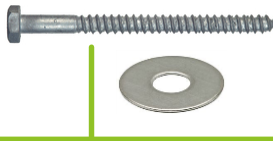
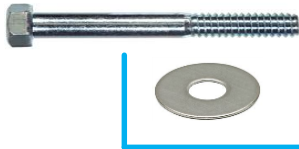
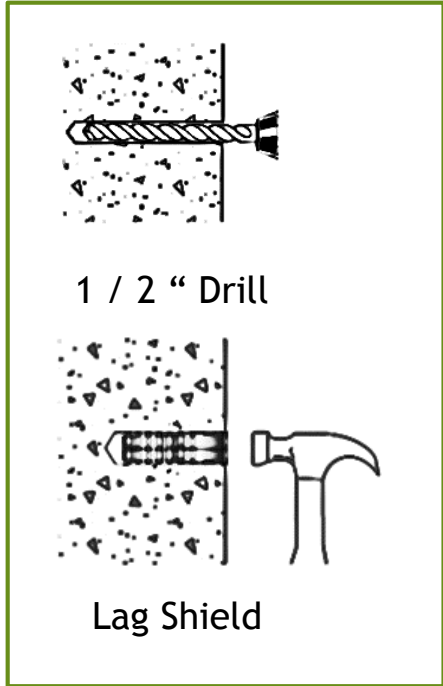
Drywall/steel stud



Wood Stud

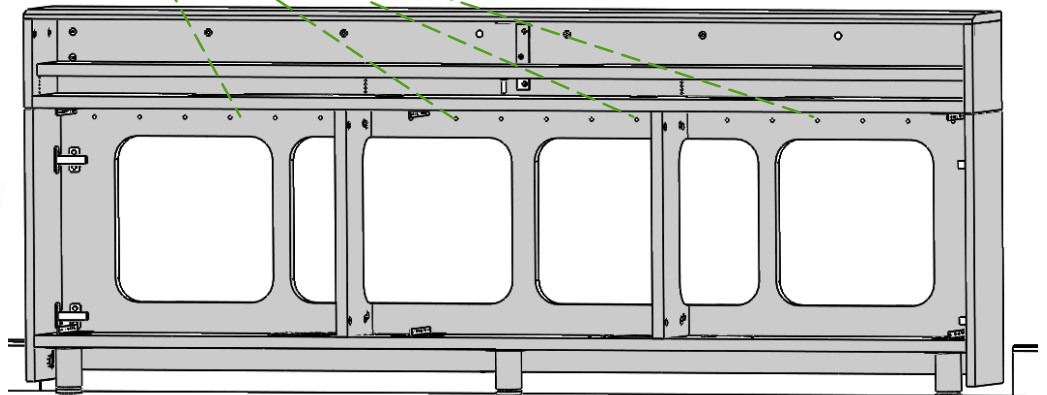


Masonry



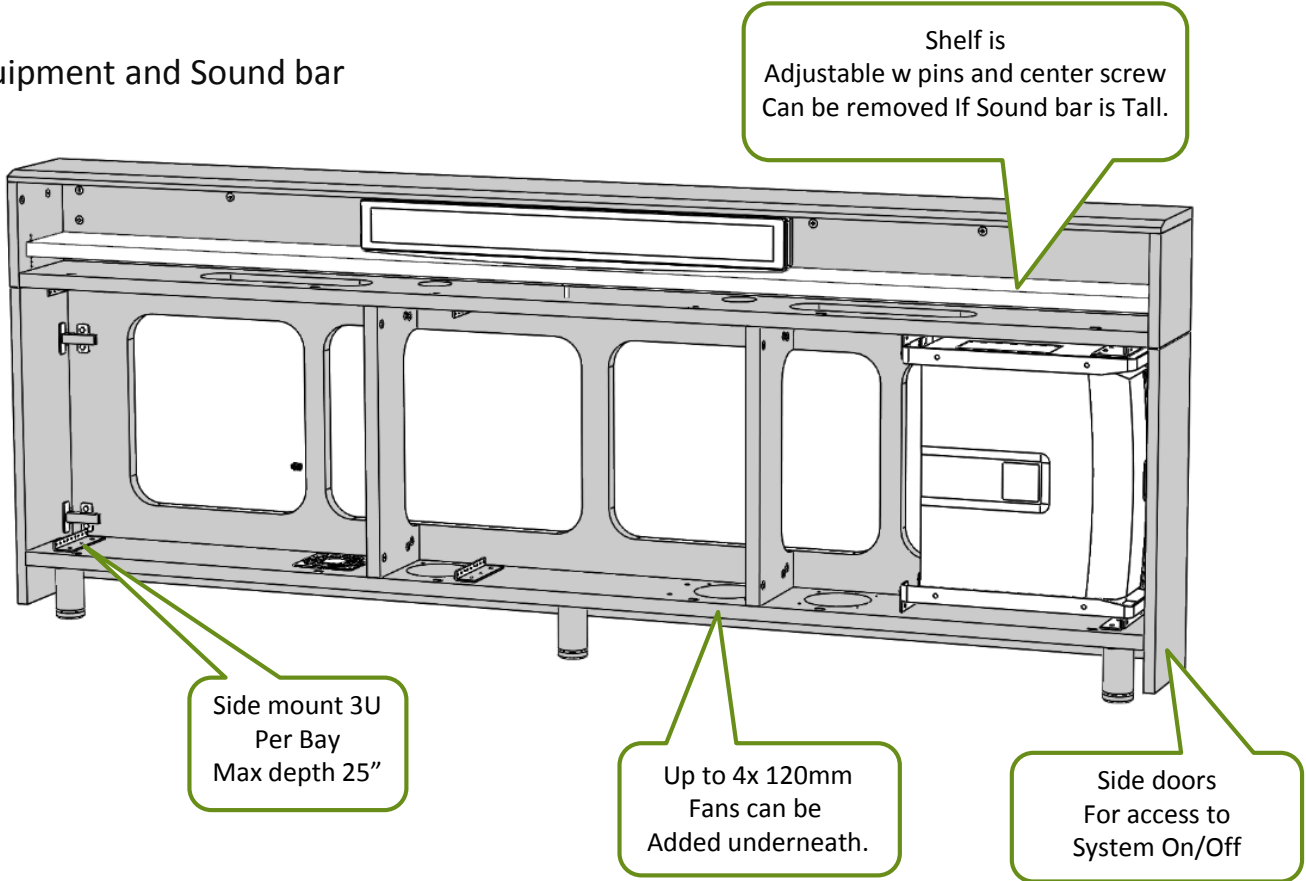
5

Attach Fasteners to wall



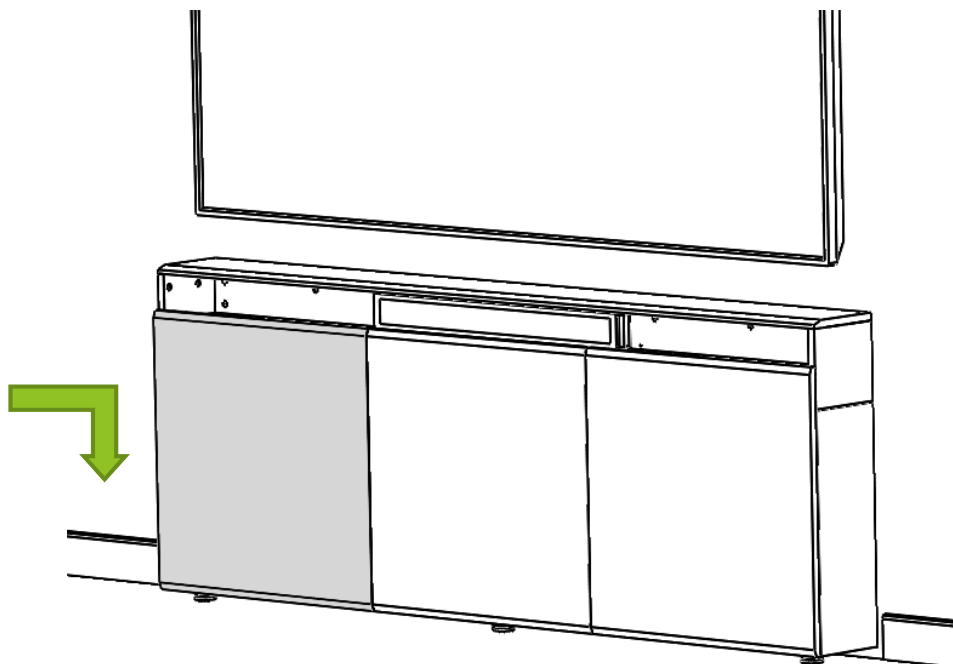
Step 4

Install Equipment and Sound bar



Step 5

Reinstall Panels.



Finished

Thanks for Purchasing AVFI.
Have a great day.