

LE402 Lectern



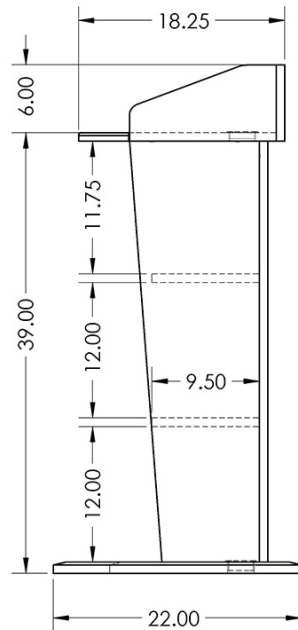
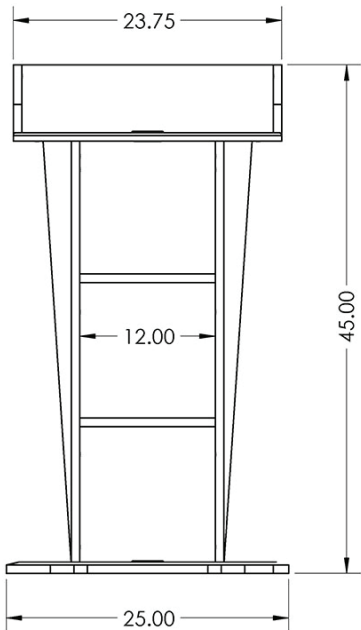
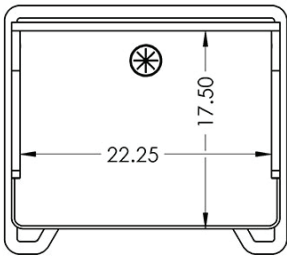
The lectern model **LE402** is a slim and elegant presentation lectern with a modern look. It features a 39" high large work surface to accommodate lecture notes or a laptop, two lower shelves with wiring channel and a large weighted base with access cutout for improved ergonomics.

Standard Features

- Work surface height of 39" with cable pass-through
- Large work surface 22.5" W x 17.5" D
- Interior shelves with cable pass-through
- Many laminate finishes to choose from
- Ships assembled

Options

- **MIC-18** MX418 S/C Shure Gooseneck microphone
- **LIGHT-18** Littlite Gooseneck
- **PB** Six outlet power bar with 10 ft. cord
- **CUB3** Round cable well
- **CUB4** Power panel (Black or Silver)
- **CHGQIW/B** Wireless charging station white or black
- **CHGQI-DNGL** Dongle Lightning, USB Type-C, Micro-USB. Requires CHGQIW/B
- **CUSTOM CUTOUT** Cutouts for electronics or other items specified by the customer



Specifications

Model: LE402
Width: 25"
Depth: 22"
Height: 45"

Finishes



Other finishes are available.
 Check website.

The information contained in this drawing is the sole property of Audio Visual Furniture International. Any reproduction in part or as a whole without the written permission of Audio Visual Furniture International is prohibited. AVFI can build or modify stock configurations to suit customer specifications. Please contact us to discuss how this service can help meet your needs. Some quantity restrictions may apply. Specification subject to change without notice. Computers, cameras, monitors, etc. are shown to illustrate product usage and are not included unless otherwise noted.