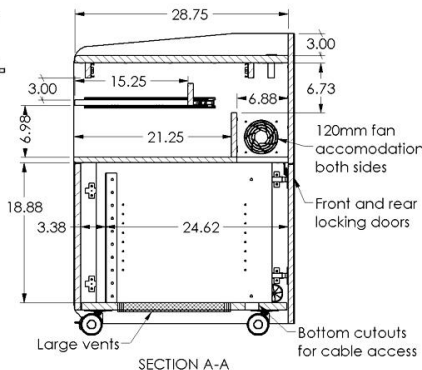
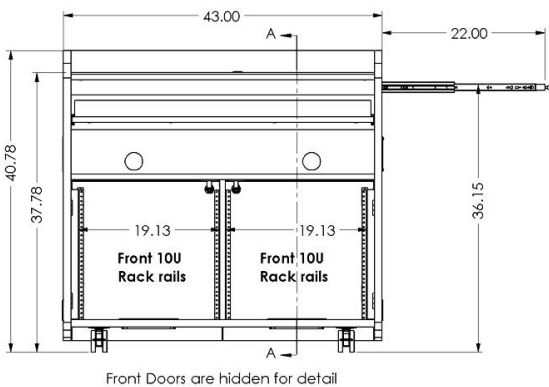
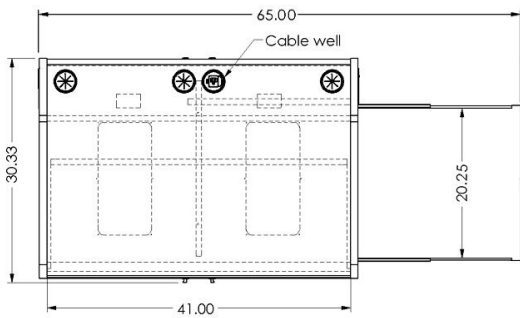


Multimedia Podium PD3008



C900D Dual Monitor Arm with 24" monitors shown.
 *Devices shown are for display and proportion reference only.



As part of the roll-about multimedia podiums, the **PD3008** is another solution for distance education, electronic classrooms and corporate training sites. This unit features a large thermowrap work surface with integrated Cable well and grommets, large front storage area, keyboard slide, a slide out shelf for AV equipment and dual space with EIA compliant 10U rack rails with a large vent on each compartment.

Standard Features

- Large 41" W x 28.75" D Highly resistant thermowrap [surf\(x\)](#) work surface with Cable well AC 110v and USB connection.
- Slide out keyboard shelf.
- Heavy-duty casters for easy maneuvering, front locking.
- 2x 10 space EIA compliant 10U rack rails/10-32 screws.
- Large 22" W x 20.25" D slide out shelf.
- Door locks on all compartments.
- Many laminate finishes to choose from.
- Ships assembled.

Options

- **C900S** Adjustable Monitor Arm.
- **C900D** Adjustable Dual Monitor Arm.
- **PLM1022** Monitor mount.
- **MM1232** LCD Monitor mount.
- **MCB1925** 19" - 25" Monitor/camera bracket.
- **FM3** Count down timer/clock.
- **MIC-18** MX418 S/C Shure Gooseneck microphone.
- **LIGHT-18** Littlite Gooseneck.
- **FAN** Quiet cooling fan.
- **PB** Six outlet power bar with 10 ft. Cord.
- **PC-PATCH** 2x 110AC, RJ45, Phone, 2x USB.
- **SF-PB3** Surface mounted 3-outlet 120V power bar.
- **CUB3** Round cable well.
- **CUB4** Black-B/Silver-S Power Panel.
- **CUB5** Round cable well (Black or silver).
- **CUB8** Tabletop cable well
- **CUBM3** 3 Module Power & Data panel, Black (2x AC, 1x Cat 6 port w/pigtail).
- **CUBM4** 4 Module Power & Data panel, Black (2x AC, 1x Cat 6 port w/pigtail, 1x HDMI Port).
- **RR10** 10U set of rack rails (Rear).
- **9031/9052** Metal shelf/drawer (check website).
- **SH-FL** Folding side shelf kit.
- **9107** Lacing bar (19" long).
- **LEV4AX4** 4x Levelers for non-mobile applications.
- **CUSTOM CUTOUT** Cutouts for electronics or other items specified by the customer.

Specifications

Model: PD3008
Width: 43"
Depth: 30.375"
Height: 40.75"

Finishes:



Other finishes are available. Check website.

The information contained in this drawing is the sole property of Audio Visual Furniture International. Any reproduction in part or as a whole without the written permission of Audio Visual Furniture International is prohibited. We can build or modify stock configurations to suit customer specifications. Please contact us to discuss how this service can help meet your needs. Some quantity restrictions may apply. Specification subject to change without notice. Computers, cameras, monitors, etc. are shown to illustrate product usage and are not included unless otherwise noted.