

BKT-SBB2 Assembly Instructions

BKT-SBB2 Sound bar bracket

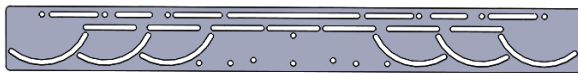
Thank you for purchasing AVFI Universal sound bar to TV bracket.

This bracket allows for the installation of a sound bar above or below TV up to 98 inch or below dual TV's up to 80 inches.

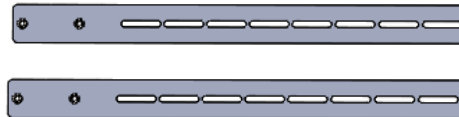
If you cannot understand these instructions or are concerned about safety of the installation Contact a qualified contractor or contact AVFI at 1-877-834-3876.

Read through entire instructions before beginning assembly.

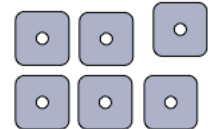
Supplied Parts



SBB2
Bracket

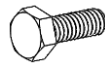


Arms
(x2)



Spacers
(x6)

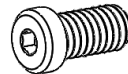
Supplied Hardware Bag



1/4-20 x
1/2" HEX Bolt
(x4)



1/4-20
HEX Nut
(x4)



5/16 Bolt
(x4)

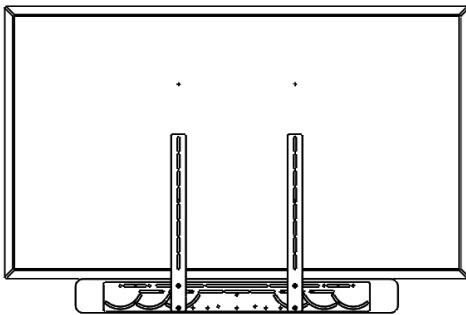
Tools required



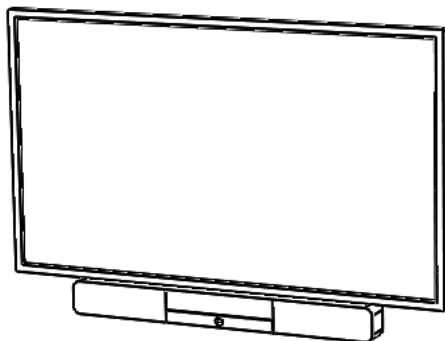
Allen or Hex
Key set



Socket set



Below TV

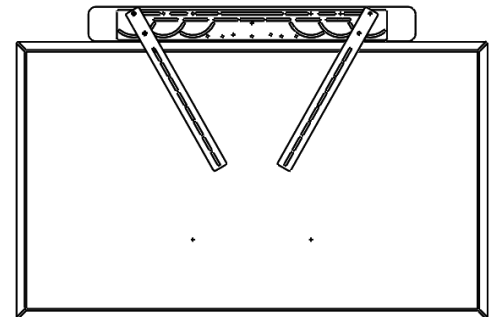


Universal sound bar to TV bracket. This bracket can be set up in multiple Configurations with sound bar above or below the displays.

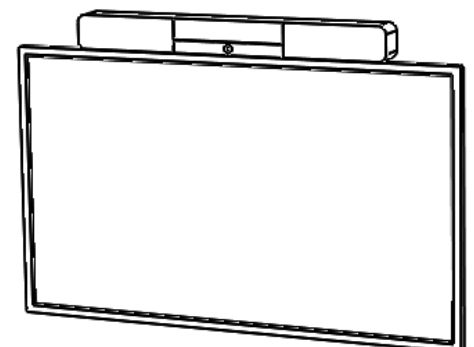
Example on the left shows VESA aligned configuration.

Example on right shows angled configuration. Use this configuration if the sound bar mounting locations would be covered by the arms.

If your sound bar does not have compatible bolt locations. It probably has feet or wall mount brackets which will align or can be drilled to match up to SBB2 holes.

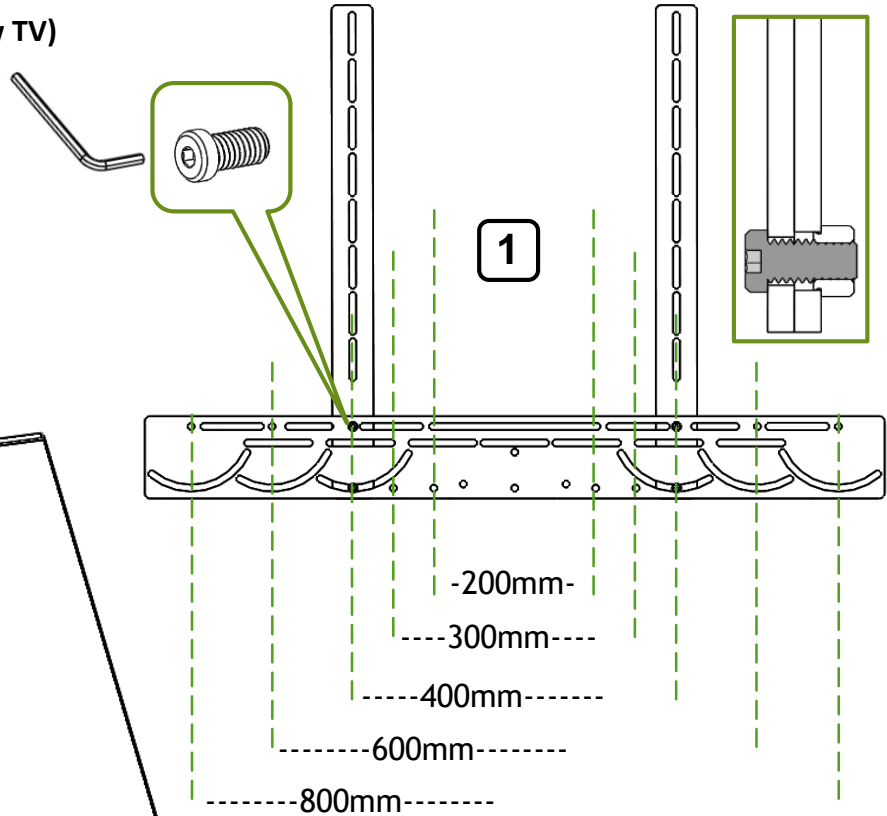
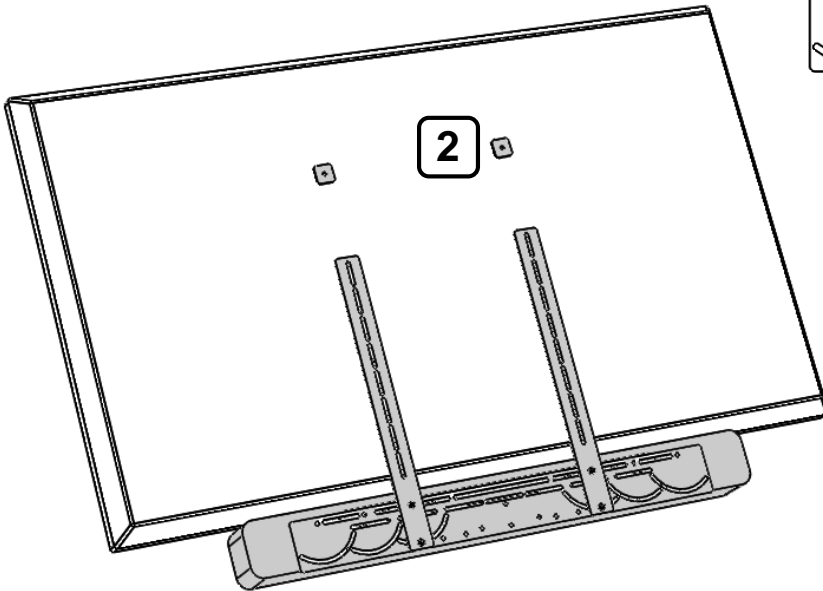


Above TV

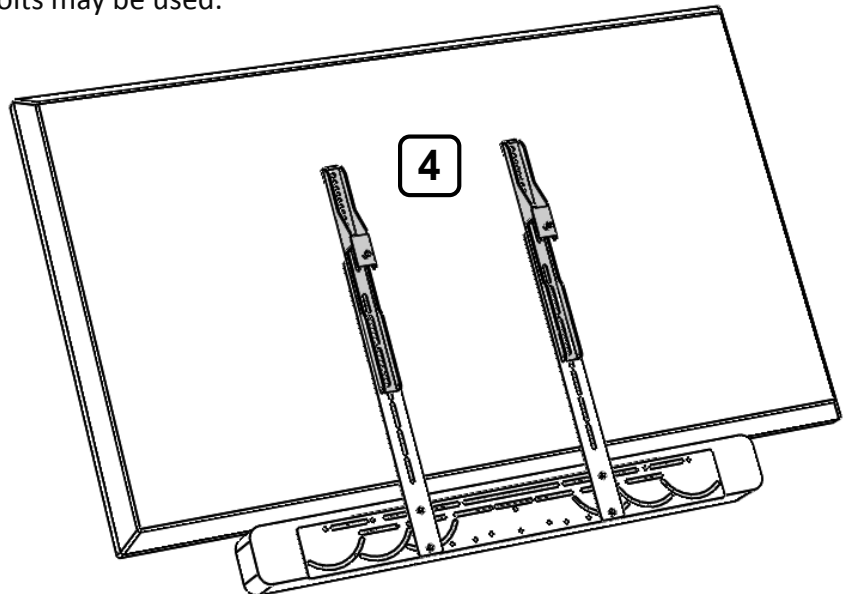


Single TV (Can be installed above or below TV)

1. Install Arms to Match TV VESA pattern.
2. Place spacers at VESA top holes
3. Attach* Sound bar (hardware not provided)
4. Install TV Brackets over top and Secure to VESA
5. Hang TV

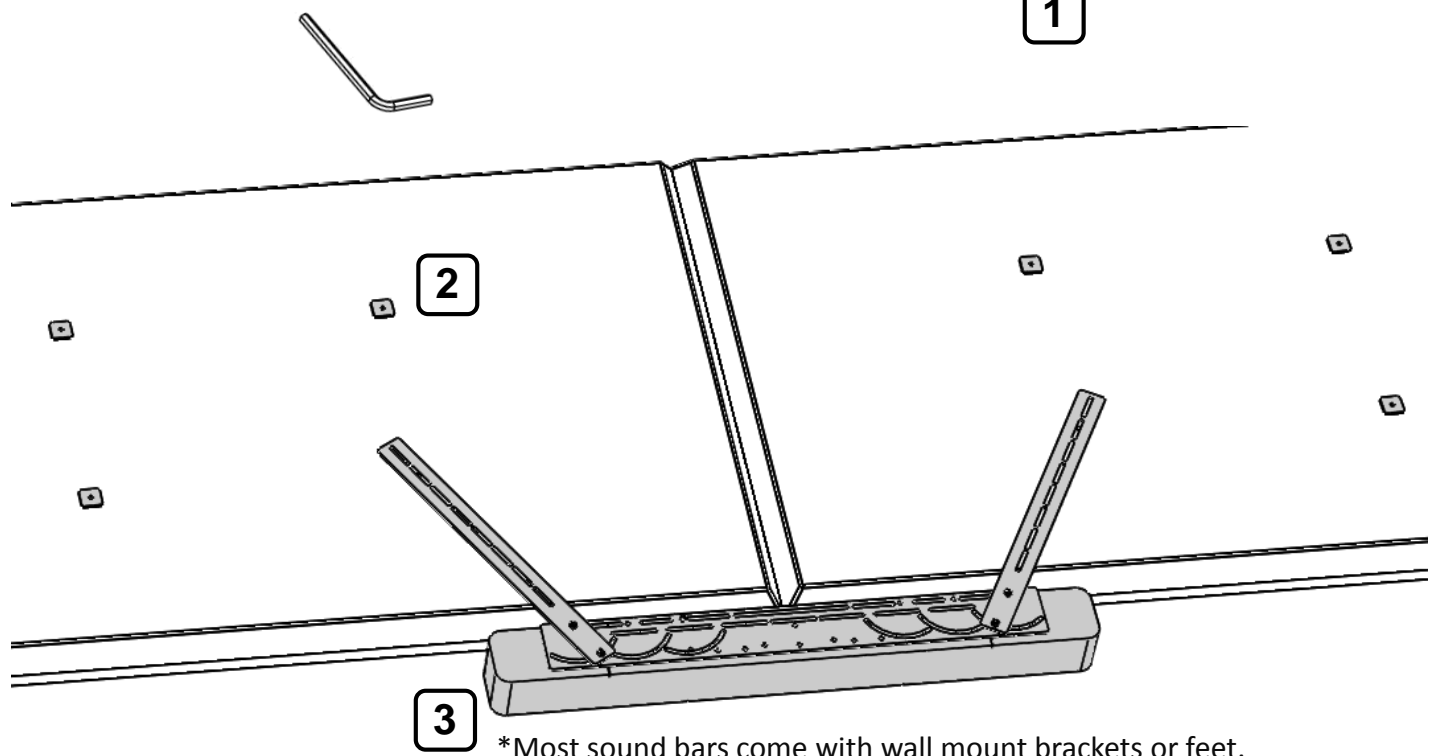
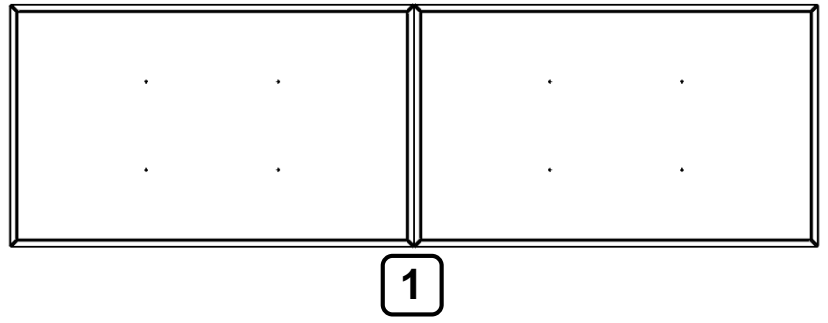


3 *Most sound bars come with wall mount brackets or feet. Use these to attach to BKT-SBB2 if there are no threads to bolt into. 1/4-20 Nuts and bolts may be used.

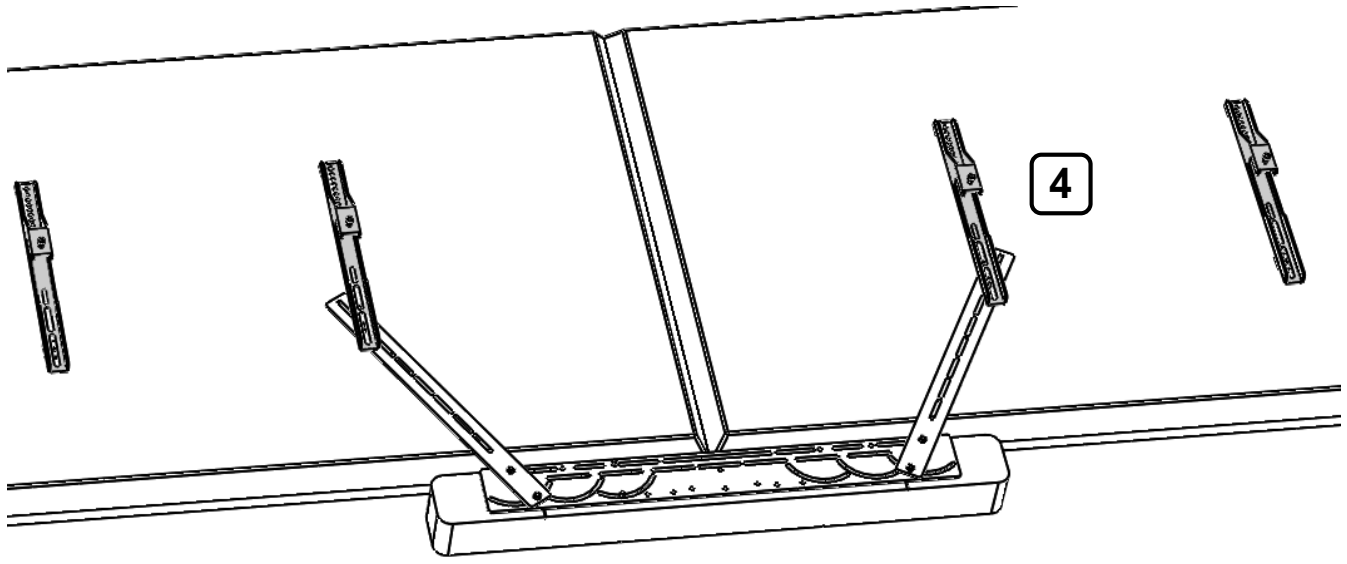


Dual TV

1. Place TV's face down on carpet Side by Side.
 2. Place spacers at VESA top holes
 3. Attach* Sound bar (hardware not provided)
 4. Install TV Brackets over top and Secure to VESA
- Continued on next page.

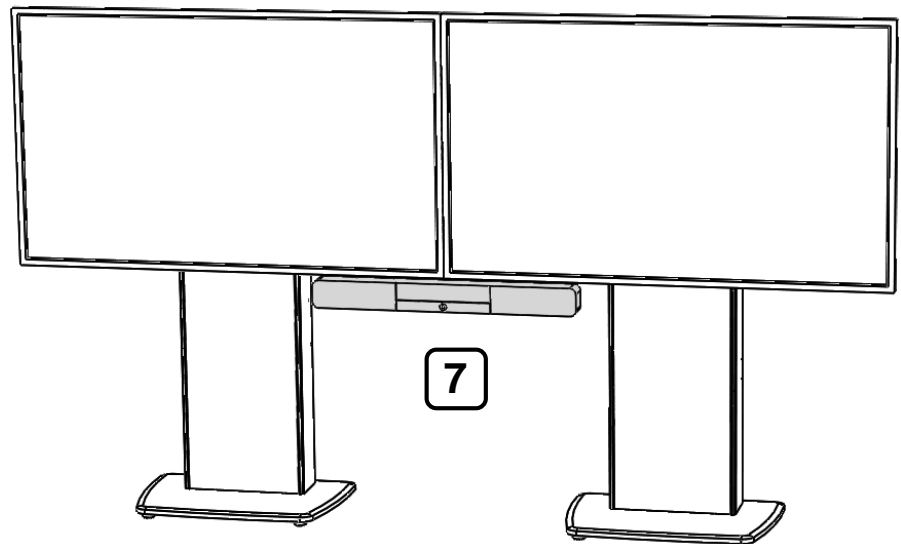
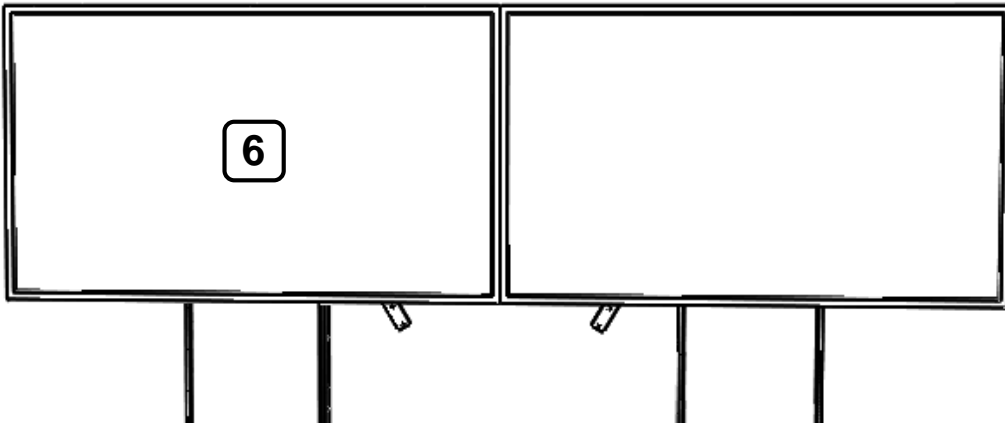
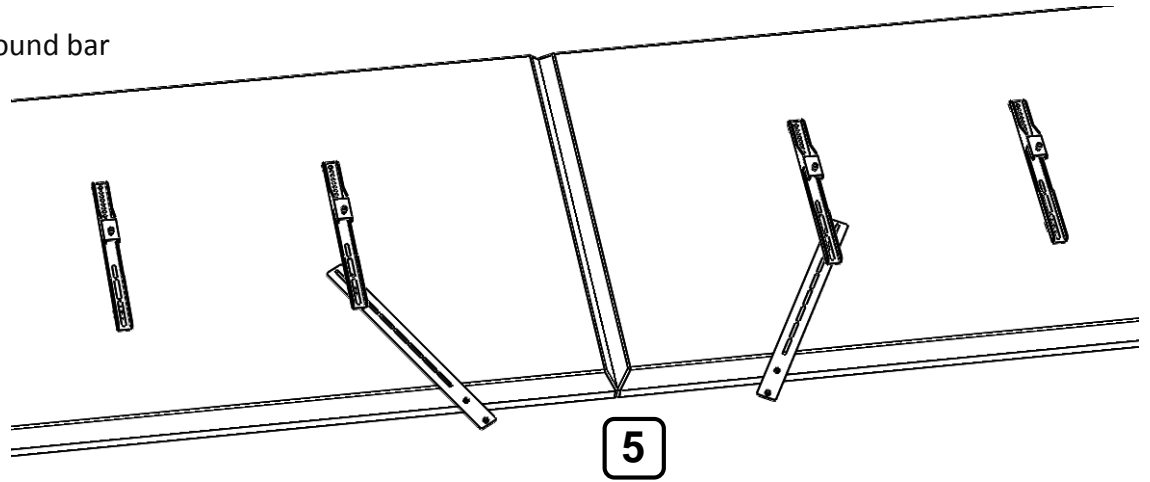


*Most sound bars come with wall mount brackets or feet. Use these to attach to BKT-SBB2 if there are no threads to bolt into. Nuts and bolts may be required.



Dual TV

- 5.Remove sound bar and SBB2 (to separate TV's while hanging)
- 6.Hang TV's Individually
- 7.Attach SBB2 and then sound bar



Finished

Thanks for Purchasing AVFI.
Have a great day.