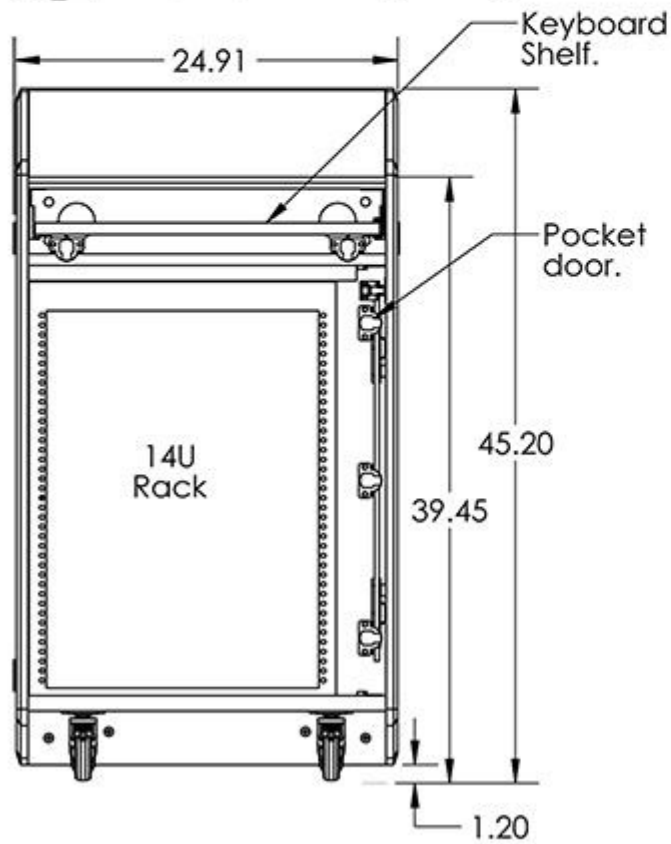


The information contained in this drawing is the sole property of Audio Visual Furniture International. Any reproduction in part or as a whole without the written permission of Audio Visual Furniture International is prohibited.

* Specification subject to change without notice

* AVFI can build or modify stock configurations to suit customer specifications. Please contact us to discuss how this service can help meet your needs. Some quantity restrictions may apply.

* Computers, cameras, monitors, etc. are shown to illustrate product usage and are not included unless otherwise noted.



LEX31

