

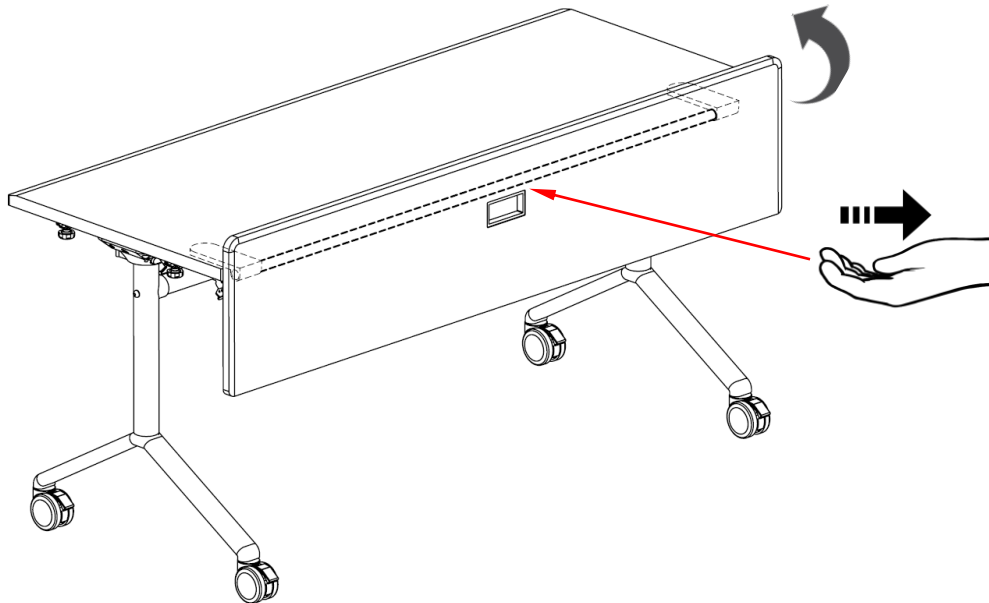
Folding Instructions

MFT6024 Modular Folding Table System

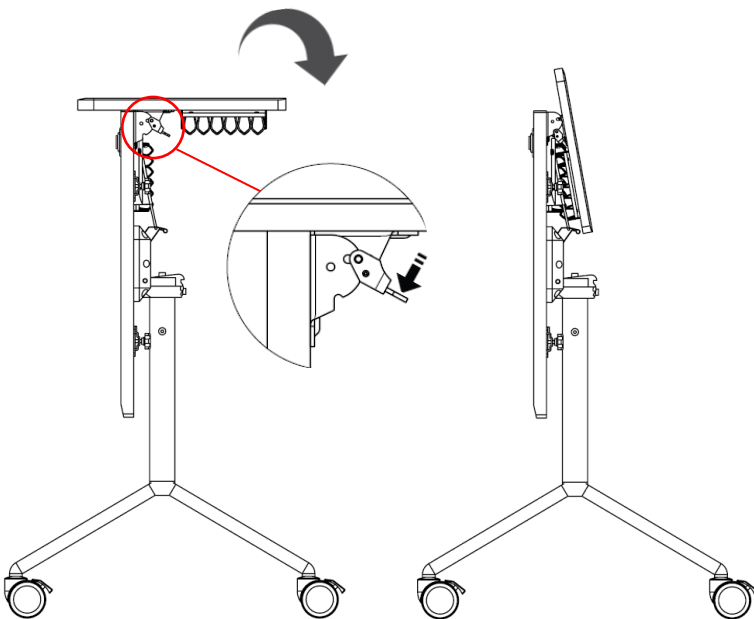
This document shows the folding/unfolding and ganging instructions of the Modular Folding Tables.

Note: If you cannot understand these instructions or are concerned about safety of the installation contact a qualified contractor or contact AVFI at 1-866-405-0655

- 1** Reach in and pull the lever-tube through the opening to release the folding mechanism.



- 2** Pressing down the latch on both brackets will fold the modesty panel. To unfold the table, reverse the procedure, both folding mechanism and the brackets will self-lock into the open position.



3 Ganging the Tables:

- Position the connectors as shown below.
- Align connectors and slide the tables together. Tighten the knobs to secure the connection.

