



The **MMWC** multimedia whiteboard cart, Ideal for mobile ,fixed and makeshift classrooms as well as R&D,warehouse, Corporate and Military. Mounts up to a 65" Display or Touchscreen on front and has a dry-erase whiteboard on rear with marker tray. A laptop tray accessible from both front and rear with power grommet for 110V and USB devices. Large vented locking cabinets with adjustable shelves for Electronics or PC storage. The cart has grommets both on the top, bottom and sides for passing cables throughout the unit.

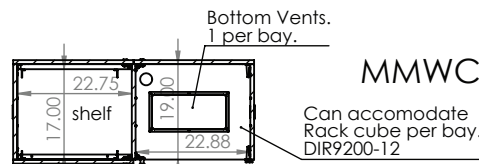
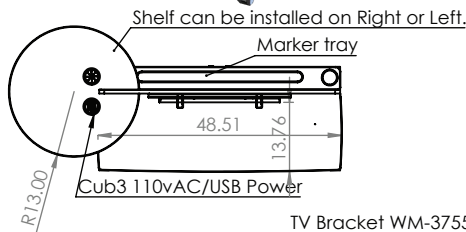
Standard Features

- Accommodates 50"- 65" screens up to 100 lbs
- Dry-erase whiteboard 4'x4' on rear.
- Dry-erase marker tray included
- Round laptop shelf can install on right or left
- Cable passages in spine
- Locking vented cabinet includes adjustable shelves
- 3" Swivel casters with ball bearing non-marking wheels, 2 are locking
- CUB3 110VAC and USB power.
- Accessible media player cubbies x3
- Easy to assemble.



Options

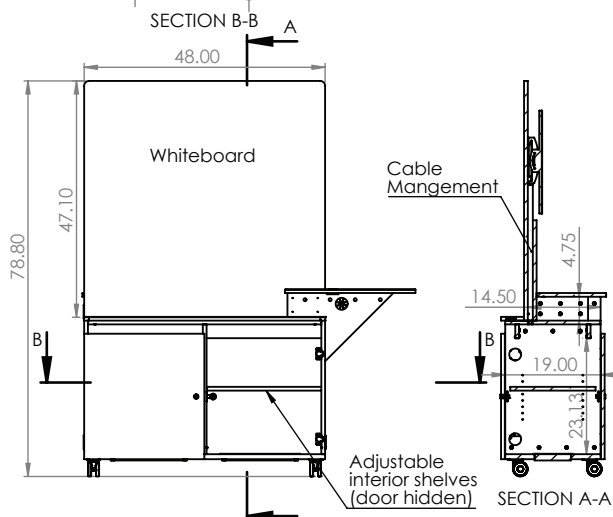
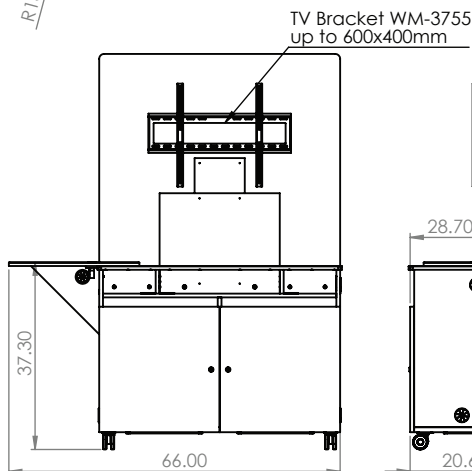
- **DIR9200-12** Drop in rack cube 12U (up to 2)
- **CUB3** 110V/USB power replaces round grommet/s.
- **PB** Six outlet power bar with 10 ft. cord
- **TVCB** Camera Bracket (32 - 55in TV's)
- **TVCB-XL** Camera Bracket (56 - 90in TV's)



MMWC

Specifications

Model: MMWC
Width: 66"
Depth: 28.7"
Height: 78.8"
Finish: Storm (STL) body with Fusion Maple (FMT) top surfaces.



The information contained in this drawing is the sole property of Audio Visual Furniture International. Any reproduction in part or as a whole without the written permission of Audio Visual Furniture International is prohibited. We can build or modify stock configurations to suit customer specifications. Please contact us to discuss how this service can help meet your needs. Some quantity restrictions may apply. Specification subject to change without notice. Computers, cameras, monitors, etc. are shown to illustrate product usage and are not included unless otherwise noted.