

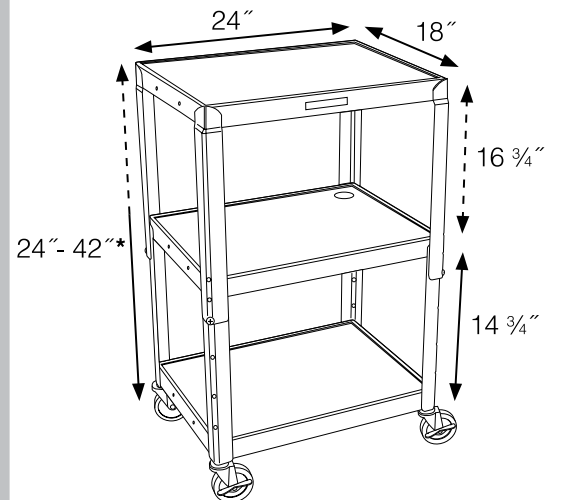


24"W x 18"D Adjustable Height Metal Cart



- Roll formed shelves with powder coat paint finish
- Cable pass through holes
- 3-outlet 15' UL and CSA listed electric
- 1/4" retaining lip around each shelf
- Includes safety mat for top shelf

Measurements:



* - in 2" increments

Available Colors:



Color Options:

| | | | | | | |
|--------------|--------------------|------------------|-------------------|---------------------|--------------------|------------------|
| Black | Putty OW | Red RD | Blue RB | Yellow YW | Green GN | Navy Z |
|--------------|--------------------|------------------|-------------------|---------------------|--------------------|------------------|