

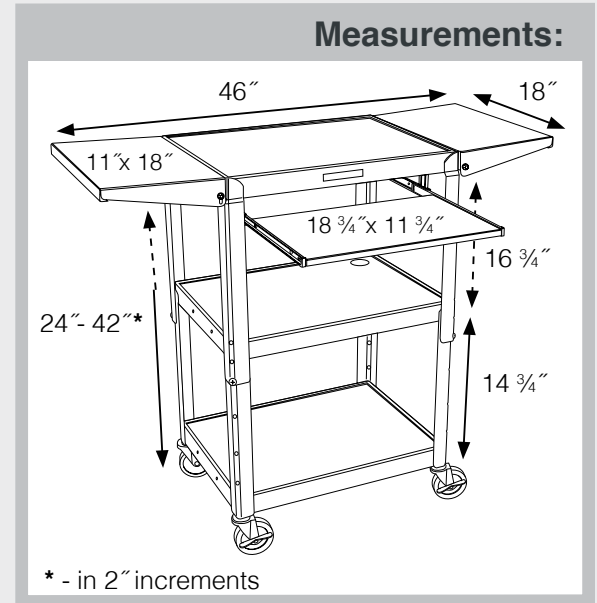
AVJ42KBDL

24"W x 18"D Adjustable Height Metal Cart w/ Drop Leaf Shelves



AVJ42KBDL

- Roll formed shelves with powder coat paint finish
- Drop leaf side shelves
- Cable pass through holes
- 3-outlet 15' UL and CSA listed electric
- 1/4" retaining lip around each shelf
- Includes safety mat for top shelf
- Steel locking cabinet with full piano hinge



Touchboards

205 Westwood Ave, Long Branch, NJ 07740
 Phone: 866-94 BOARDS (26273) / (732)-222-1511
 Fax: (732)-222-7088 | E-mail: sales@touchboards.com

Color Options:

| | | | | |
|--------------|-------------------|------------------|-----------------------|-------------------|
| Black | Gray LG | Red RD | Burgundy BY | Blue RB |
|--------------|-------------------|------------------|-----------------------|-------------------|

Adjustable height metal tables that include pull-out keyboard shelf, two drop leaf shelves and 3-outlet UL and CSA listed electric assembly with 15' cord. Available with 8" big wheels. 24" W x 18" D. Adjusts in 2" increments from 24" to 42" in height.

