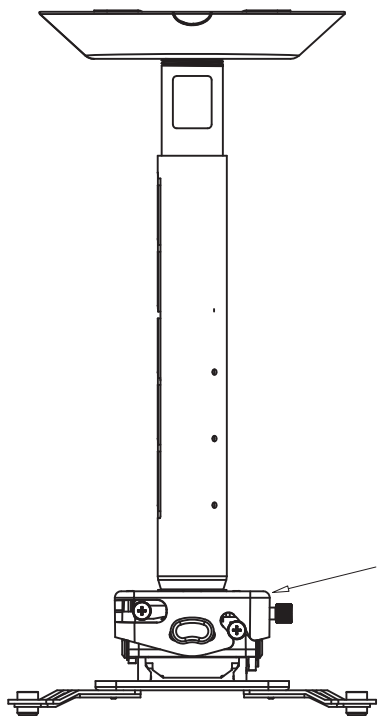
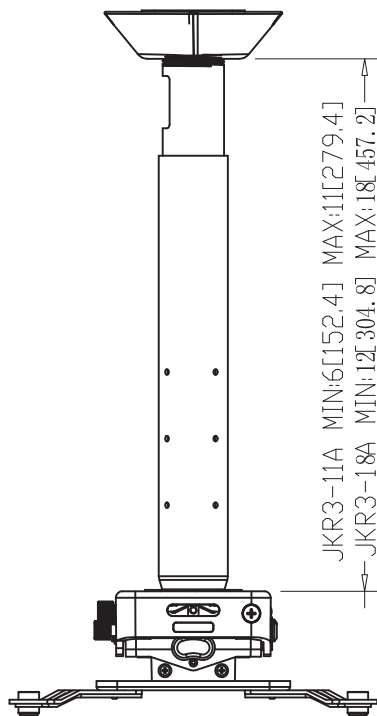


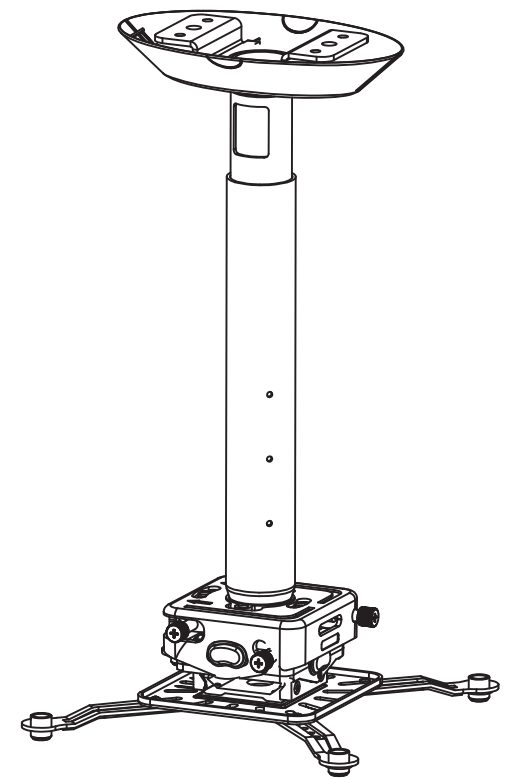
9.3137 [236.57]



JR3



JKR3-11A MIN:6[152.4] MAX:11[279.4]  
 JKR3-18A MIN:12[304.8] MAX:18[457.2]  
 JKR3-24A MIN:18[457.2] MAX:24[609.6]



THE INFORMATION CONTAINED IN THIS DRAWING IS THE SOLE PROPERTY OF CRIMSON AV LLC. ANY REPRODUCTION IN PART OR AS A WHOLE WITHOUT THE WRITTEN PERMISSION OF CRIMSON AV LLC IS PROHIBITED



**CRIMSON AV LLC.**

PRODUCT ORDER NUMBER:  
 PHONE: **1-866-668-6888**

JKR3-11A/18A/24A

Crimson AV LLC.  
 1854 Elmdale Avenue  
 Glenview, IL 60025

TITLE:  
 JKR3-11A/18A/24A

SIZE B DWG.NO.  
 JKR3-11A/18A/24A