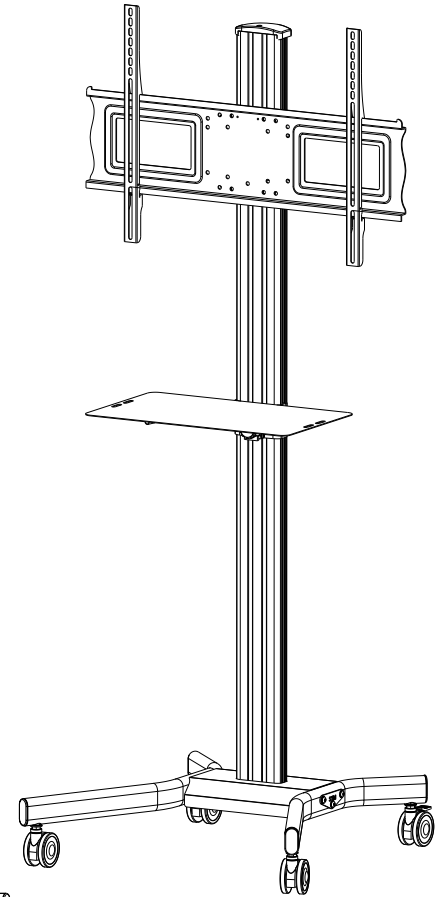
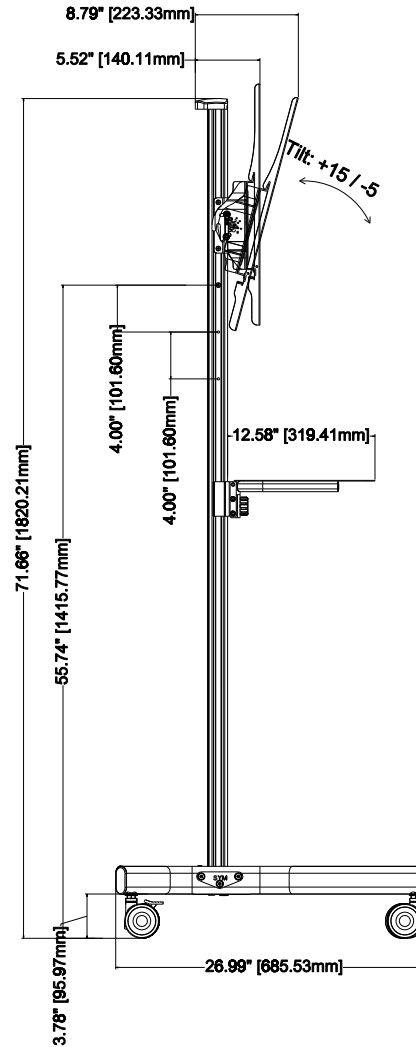
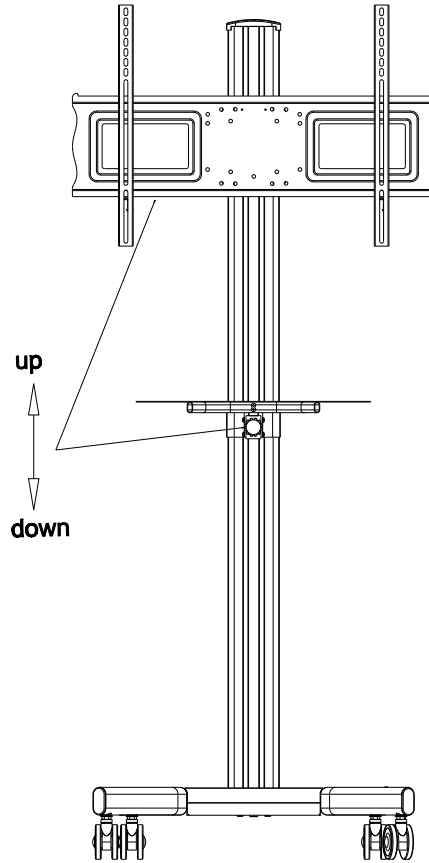
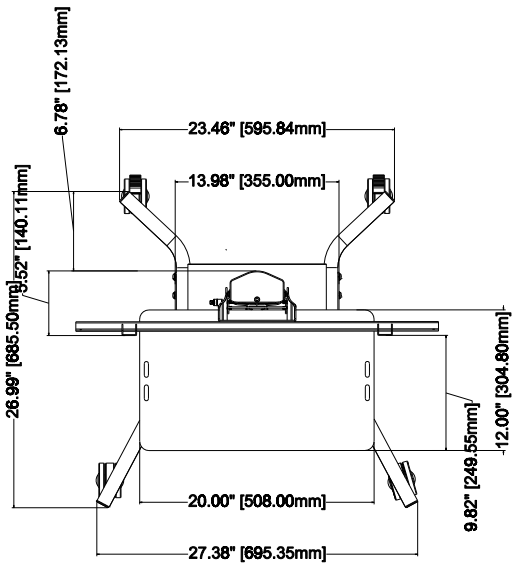


Maximum load rating: 150 lbs



THE INFORMATION CONTAINED IN THIS DRAWING IS THE SOLE PROPERTY OF CRIMSON AV LLC. ANY REPRODUCTION IN PART OR AS A WHOLE WITHOUT THE WRITTEN PERMISSION OF CRIMSON AV LLC IS PROHIBITED

**CRIMSON AV LLC.**  
PRODUCT ORDER NUMBER **M631**  
PHONE: 1-866-668-6888

Crimson AV LLC. www.crimsonav.com	
TITLE:	
<b>M631</b>	
SIZE B	DWG.NO. <b>M631</b>

Scale=1:1