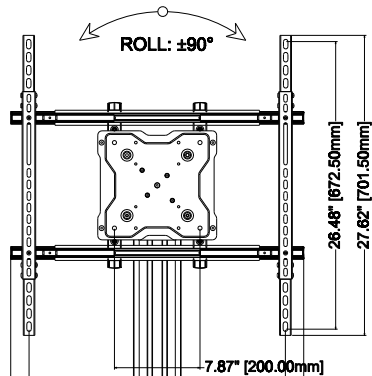
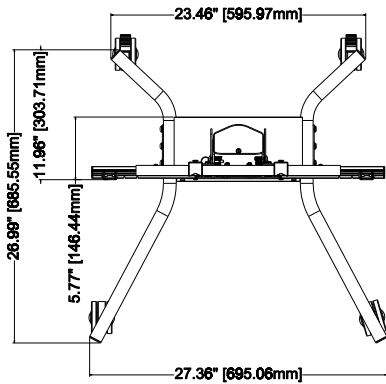
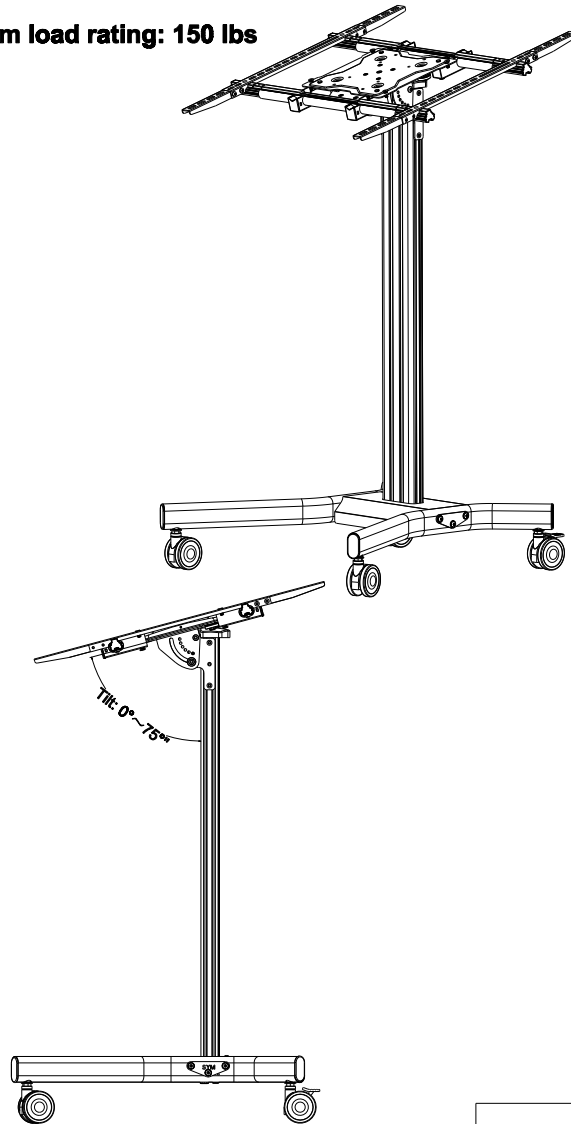
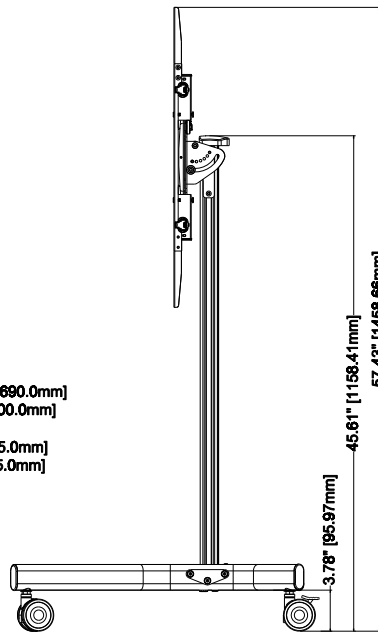


Maximum load rating: 150 lbs



MAX: 27.165" [690.0mm]
MIN: 11.8" [300.0mm]
MAX: 30.5" [775.0mm]
MIN: 19.1" [485.0mm]



THE INFORMATION CONTAINED IN THIS DRAWING IS THE SOLE PROPERTY OF CRIMSON AV LLC. ANY REPRODUCTION IN PART OR AS A WHOLE WITHOUT THE WRITTEN PERMISSION OF CRIMSON AV LLC IS PROHIBITED

CRIMSON AV LLC.

PRODUCT ORDER NUMBER: MK65
PHONE: 1-866-668-6888

Scale=1:1

Crimson AV LLC. www.crimsonav.com	
TITLE: MK65	
SIZE B	DWG.NO. MK65